

CONTENTS

This section contains Surface Bolts, Cremone Bolts, and Cane Bolts. All Bolts include fasteners.

TABLE OF CONTENTS:

Surface Bolts	Pages	18-2 – 18-7
Cane Bolts	Page	18-8
Cremone/Cane Bolt Combination	Page	18-9
Cremone Bolts	Pages	18-10 – 18-14

ORDERING INSTRUCTIONS:

Cremone Bolts: Always provide quantity, item number, lever number, patina, door handing, and exact door height.

Note: Cremone bolts always go on the interior of a door.

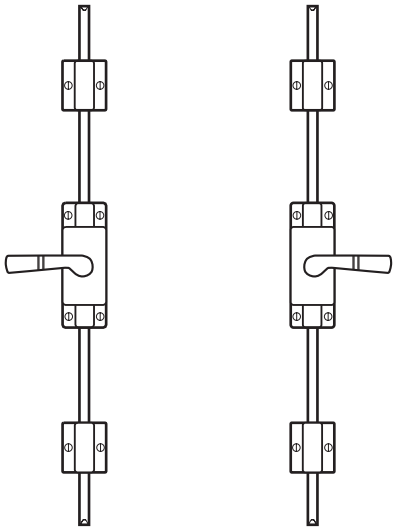
*Example of order for CB-68 Cremone Bolt.

QTY	ITEM#/LEVER#	PATINA	HANDING	DOOR HEIGHT
1	CB-68/L-106	W2	LH	6'-8"

Surface and Cane Bolts: Always provide quantity, item number, and patina.

Custom Sets: See Custom Ordering Instructions in the General Information section at front of binder.

CREMONE BOLT HANDING GUIDE:



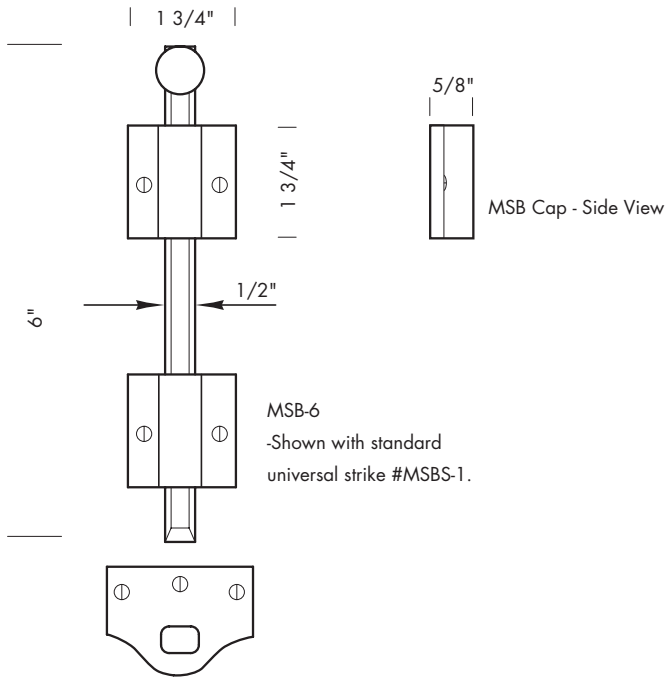
Left Hand (LH)

Right Hand (RH)

Revised 09/04/09



Illustrations are for demonstration purposes only.

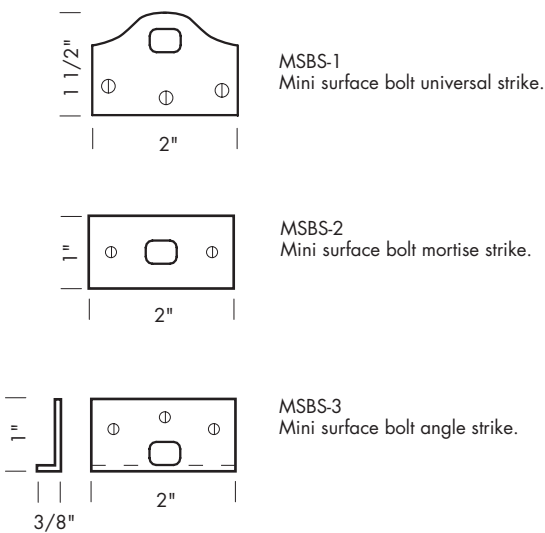


Mini surface bolts.

- MSB-6 6" Square surface bolt set w/universal strike plate. Includes 2 guides. (Shown).
- MSB-8 8" Square surface bolt set w/universal strike plate. Includes 2 guides.
- MSB-10 10" Square surface bolt set w/universal strike plate. Includes 2 guides.
- MSB-12 12" Square surface bolt set w/universal strike plate. Includes 2 guides.

Note: Smaller scale surface bolt.
Mortise strikes available. Please specify.

Mini surface bolt strike options. Must be specified.

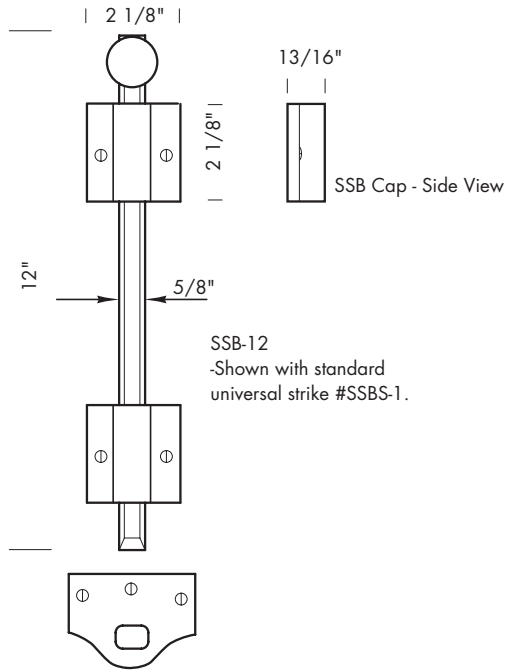


PROPRIETARY AND CONFIDENTIAL: The information contained in this drawing is the sole property of Sun Valley Bronze. Any reproduction in part or as a whole without the written permission of Sun Valley Bronze is prohibited.

Revised 09/04/09



Illustrations are for demonstration purposes only.

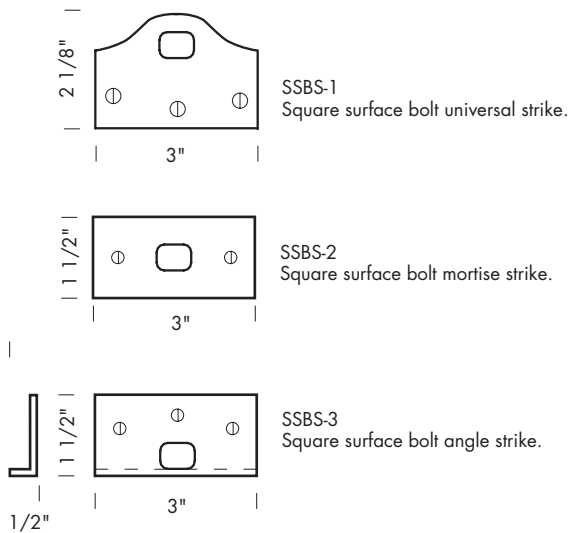


Square surface bolts.

SSB-12	12" Square surface bolt set w/universal strike plate. Includes 2 guides.(Shown).
SSB-18	18" Square surface bolt set w/universal strike plate. Includes 2 guides.
SSB-24	24" Square surface bolt set w/universal strike plate. Includes 3 guides.
SSB-30	30" Square surface bolt set w/universal strike plate. Includes 3 guides.
SSB-36	36" Square surface bolt set w/universal strike plate. Includes 4 guides.
SSB-48	48" Square surface bolt set w/universal strike plate. Includes 5 guides.

Mortise strikes available. Please specify.

Square surface bolt strike options. Must be specified.

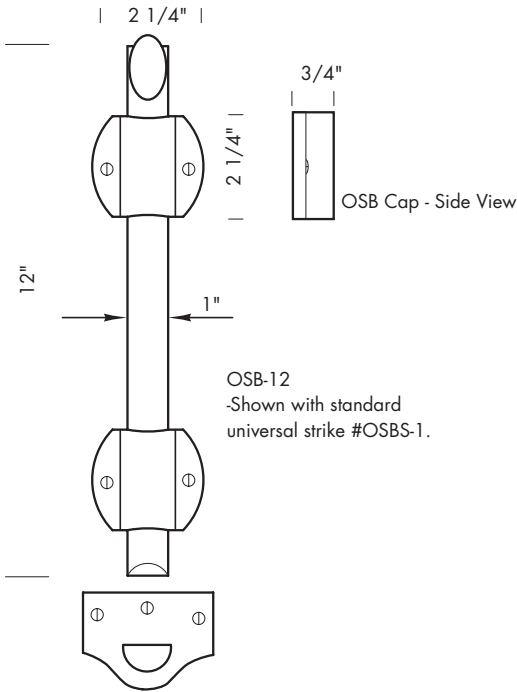


PROPRIETARY AND CONFIDENTIAL: The information contained in this drawing is the sole property of Sun Valley Bronze. Any reproduction in part or as a whole without the written permission of Sun Valley Bronze is prohibited.

Revised 09/04/09



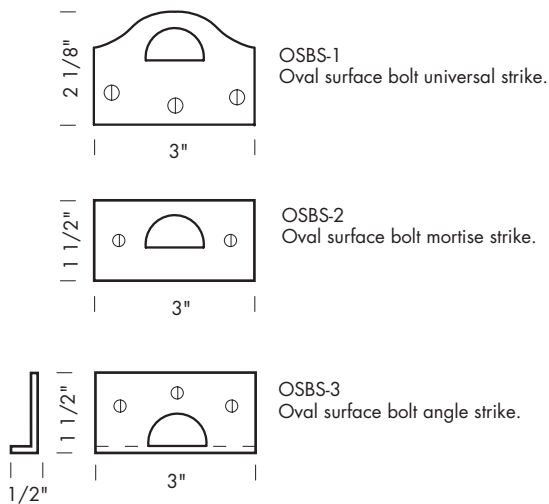
Illustrations are for demonstration purposes only.



Oval surface bolts.

OSB-12	12" Oval surface bolt set w/universal strike plate. Includes 2 guides. (Shown).
OSB-18	18" Oval surface bolt set w/universal strike plate. Includes 2 guides.
OSB-24	24" Oval surface bolt set w/universal strike plate. Includes 3 guides.
OSB-30	30" Oval surface bolt set w/universal strike plate. Includes 3 guides.
OSB-36	36" Oval surface bolt set w/universal strike plate. Includes 4 guides.
OSB-48	48" Oval surface bolt set w/universal strike plate. Includes 5 guides.

Oval surface bolt strike options. Must be specified.



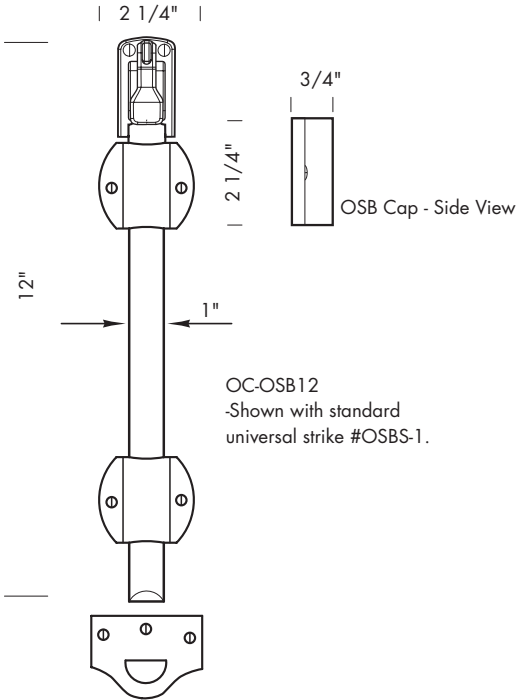
PROPRIETARY AND CONFIDENTIAL: The information contained in this drawing is the sole property of Sun Valley Bronze. Any reproduction in part or as a whole without the written permission of Sun Valley Bronze is prohibited.

Revised 09/04/09



LEVER OPERATED SURFACE BOLTS

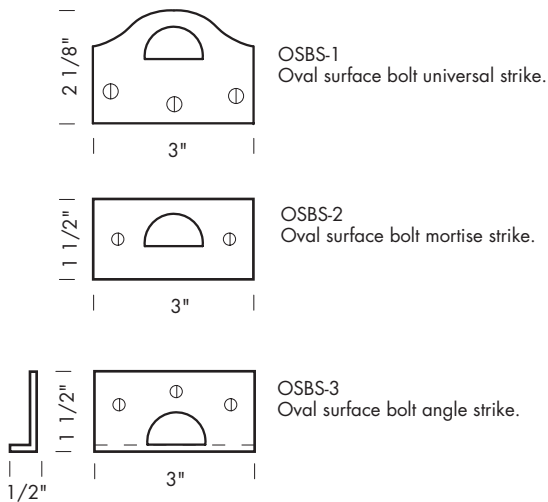
Illustrations are for demonstration purposes only.



Lever operated surface bolts.

OC-OSB5	5" Lever operated surface bolt set w/universal strike plate. Includes 2 guides.
OC-OSB8	8" Lever operated surface bolt set w/universal strike plate. Includes 2 guides.
OC-OSB12	12" Lever operated surface bolt set w/universal strike plate. Includes 2 guides. (Shown).
OC-OSB18	18" Lever operated surface bolt set w/universal strike plate. Includes 2 guides.
OC-OSB24	24" Lever operated surface bolt set w/universal strike plate. Includes 3 guides.
OC-OSB30	30" Lever operated surface bolt set w/universal strike plate. Includes 3 guides.
OC-OSB36	36" Lever operated surface bolt set w/universal strike plate. Includes 4 guides.
OC-OSB42	42" Lever operated surface bolt set w/universal strike plate. Includes 5 guides.
OC-OSB48	48" Lever operated surface bolt set w/universal strike plate. Includes 5 guides.

Lever operated surface bolt strike options. Must be specified.

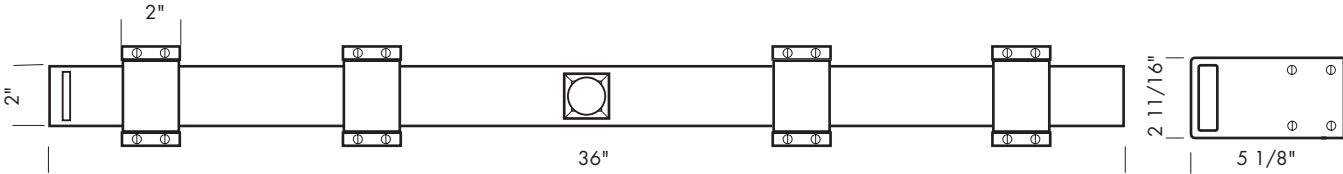


PROPRIETARY AND CONFIDENTIAL: The information contained in this drawing is the sole property of Sun Valley Bronze. Any reproduction in part or as a whole without the written permission of Sun Valley Bronze is prohibited.

Revised 09/04/09



Illustrations are for demonstration purposes only.



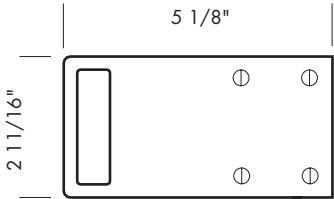
SSB-1000
 -Shown with slide bolt
 mortise strike #SSB-1000-S.

Slide Bolt

SSB-1000 36" Slide bolt set w/4 guides.

Custom sizes available. Please call for pricing.

Slide bolt mortise strike.



SSB-1000-S
 -Slide bolt mortise strike.

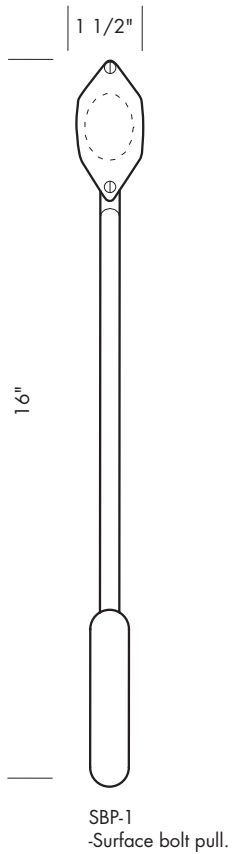
SUN VALLEY BRONZE

PROPRIETARY AND CONFIDENTIAL: The information contained in this drawing is the sole property of Sun Valley Bronze. Any reproduction in part or as a whole without the written permission of Sun Valley Bronze is prohibited.

Revised 09/04/09



Illustrations are for demonstration purposes only.



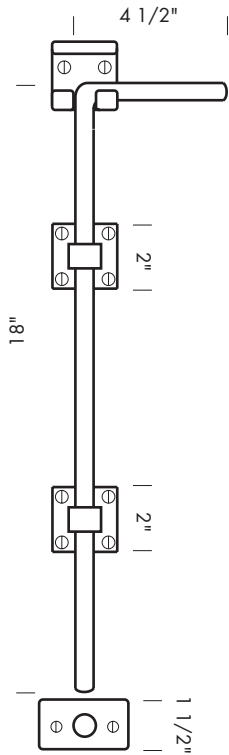
Surface bolt pull.

SBP-1 1 1/2" X 16" Surface bolt pull.

PROPRIETARY AND CONFIDENTIAL: The information contained in this drawing is the sole property of Sun Valley Bronze. Any reproduction in part or as a whole without the written permission of Sun Valley Bronze is prohibited. *Revised 09/04/09*



Illustrations are for demonstration purposes only.



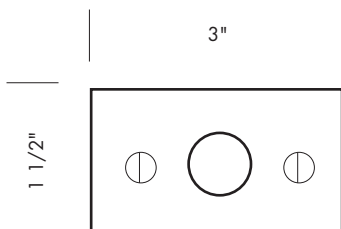
BB-18
-Shown with standard mortise strike #BBS-2.

Cane Bolts

- BB-12 12" Cane bolt set w/2 guides.
- BB-18 18" Cane bolt set w/2 guides. (Shown).
- BB-24 24" Cane bolt set w/3 guides.
- BB-30 30" Cane bolt set w/3 guides.

Custom sizes available. Please call for pricing.

Standard cane bolt mortise strike.



BBS-2
-Standard cane bolt mortise strike.

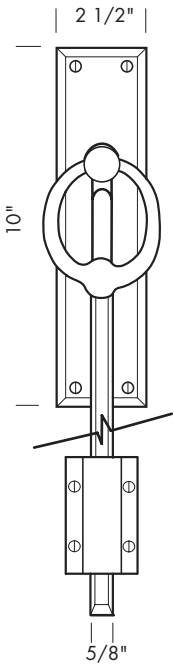
PROPRIETARY AND CONFIDENTIAL: The information contained in this drawing is the sole property of Sun Valley Bronze. Any reproduction in part or as a whole without the written permission of Sun Valley Bronze is prohibited.

Revised 09/04/09



CREMONE / CANE BOLT COMBINATION

Illustrations are for demonstration purposes only. Any lever may be substituted for lever or knob shown.



CCB-36
-Shown with K-212 ring pull.

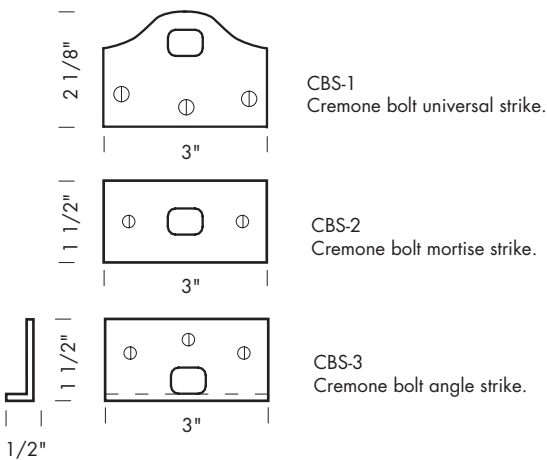
Cremone bolts.

- CCB-36 3' 0" Cremone/Cane bolt combination w/universal strike plate. Lever operated with linkage.
- CCB-42 3' 6" Cremone/Cane bolt combination w/universal strike plate. Lever operated with linkage.
- CCB-48 4' 0" Cremone/Cane bolt combination w/universal strike plate. Lever operated with linkage.

1 1/2" Throw.
 Door handing is required.
 Always specify lever/ knob design.
 Custom sizes available.
 Standard lever height is 36". Please specify custom heights.

*Please provide exact door height measurement.

Cremone bolt strike options. Must be specified.



CBS-1
Cremone bolt universal strike.

CBS-2
Cremone bolt mortise strike.

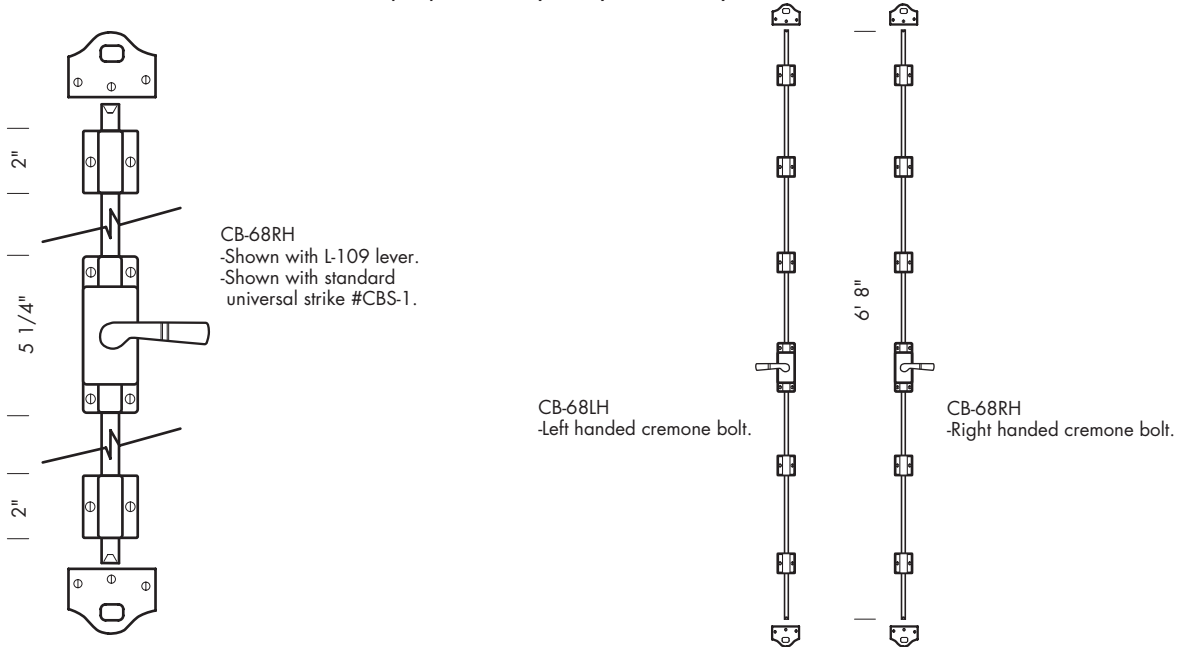
CBS-3
Cremone bolt angle strike.

PROPRIETARY AND CONFIDENTIAL: The information contained in this drawing is the sole property of Sun Valley Bronze. Any reproduction in part or as a whole without the written permission of Sun Valley Bronze is prohibited.

Revised 09/04/09



Illustrations are for demonstration purposes only. Any lever may be substituted for lever or knob shown.



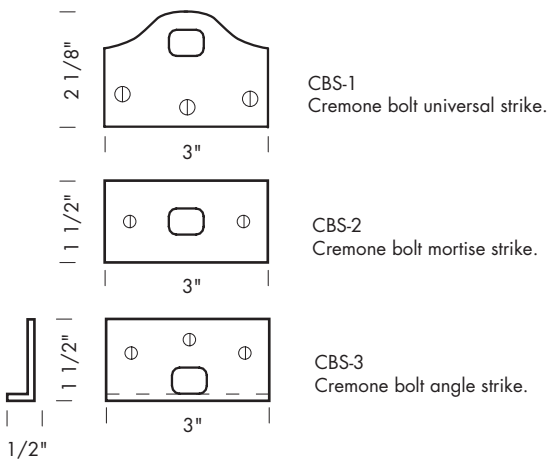
Cremone bolts.

- CB-68 6' 8" Cremone bolt w/universal strike plates. Includes 5 guides.
- CB-70 7' Cremone bolt w/universal strike plates. Includes 5 guides.
- CB-76 7' 6" Cremone bolt w/universal strike plates. Includes 5 guides.
- CB-80 8' Cremone bolt w/universal strike plates. Includes 6 guides.

1/2" Throw top and bottom.
 Door handing is required.
 Always specify lever/ knob design.
 Custom sizes available.
 Standard lever height is 36". Please specify custom heights.

*Please provide exact door height measurement.

Cremone bolt strike options. Must be specified.



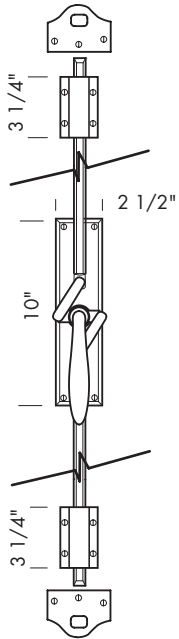
PROPRIETARY AND CONFIDENTIAL: The information contained in this drawing is the sole property of Sun Valley Bronze. Any reproduction in part or as a whole without the written permission of Sun Valley Bronze is prohibited.

Revised 09/04/09



CREMONE BOLTS w/ LINKAGE

Illustrations are for demonstration purposes only. Any lever may be substituted for lever or knob shown.



CBL-68
-Shown with L-146 lever.
-Shown with standard universal strike #CBS-1.

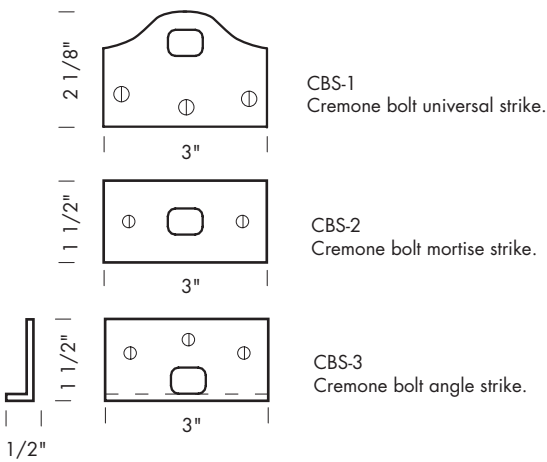
Cremone bolts.

- CBL-68 6' 8" Cremone bolt with linkage w/universal strike plates. Includes 5 guides.
- CBL-70 7' Cremone bolt with linkage w/universal strike plates. Includes 5 guides.
- CBL-76 7' 6" Cremone bolt with linkage w/universal strike plates. Includes 5 guides.
- CBL-80 8' Cremone bolt with linkage w/universal strike plates. Includes 6 guides.

1 1/2" Throw top and bottom.
Door handing is required.
Always specify lever/ knob design.
Custom sizes available.
Standard lever height is 36". Please specify custom heights.

*Please provide exact door height measurement.

Cremone bolt strike options. Must be specified.



CBS-1
Cremone bolt universal strike.

CBS-2
Cremone bolt mortise strike.

CBS-3
Cremone bolt angle strike.

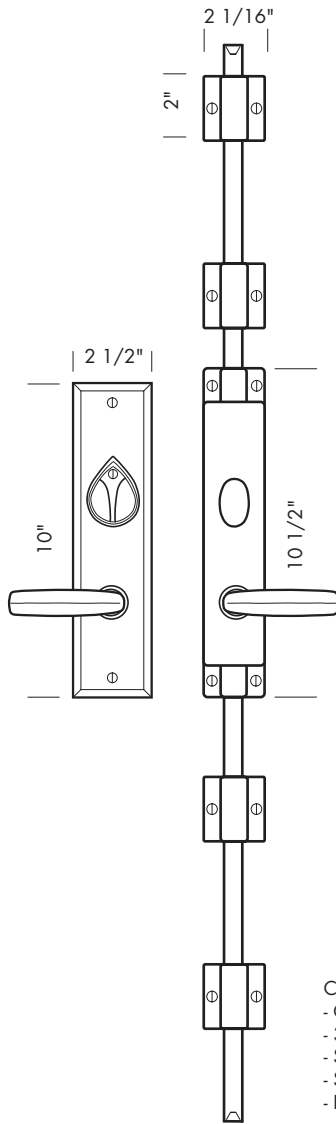
PROPRIETARY AND CONFIDENTIAL: The information contained in this drawing is the sole property of Sun Valley Bronze. Any reproduction in part or as a whole without the written permission of Sun Valley Bronze is prohibited.

Revised 09/04/09



LOCKING CREMONE BOLT ENTRY SETS

Illustrations are for demonstration purposes only. Any lever may be substituted for lever shown.



- CS-CB409-(specify length)
- Complete set with deadbolt, turnpiece, and spindle.
- 3 7/16" center to center spacing.
- Single cylinder locking cremone bolt entry set.
- Shown with L-104 lever.
- Left hand set shown.

Complete sets with deadbolt and spindle.

- CS-CB409-68 6'8" Single cylinder. Locking cremone bolt entry set.
- CS-CB409-68PF 6'8" Patio function. Locking cremone bolt patio function set.
- CS-CB409-68AD 6'8" Active dummy. Exterior is fixed. Interior is active.

Trim sets with spindle.

- TS-CB409-68 6'8" Single cylinder. Locking cremone bolt entry set.
- TS-CB409-68PF 6'8" Patio function. Locking cremone bolt patio function set.
- TS-CB409-68AD 6'8" Active dummy. Exterior is fixed. Interior is active.

3 7/16" center to center.

*Please specify length of cremone bolt. (Upcharges may apply).

**Please specify dimension from center of lever to bottom of the door. 36" is standard.

Door handing is required. Always specify lever design.

1/2" Throw top and bottom. Please provide exact door height measurement.

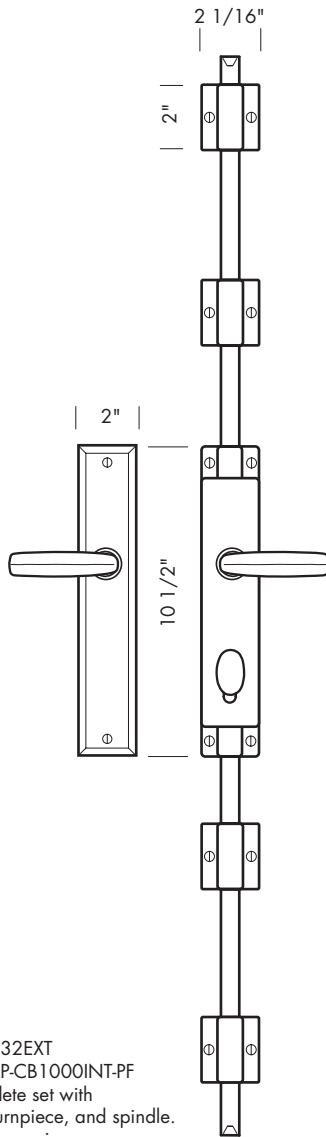
PROPRIETARY AND CONFIDENTIAL: The information contained in this drawing is the sole property of Sun Valley Bronze. Any reproduction in part or as a whole without the written permission of Sun Valley Bronze is prohibited.

Revised 09/04/09

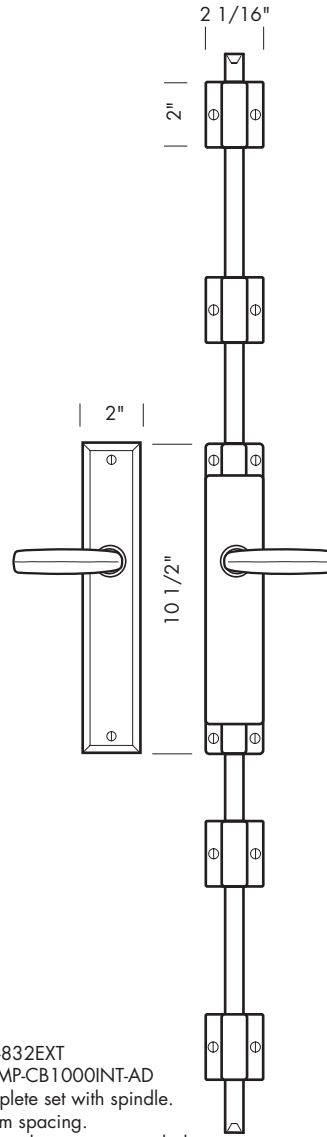


PROFILE CYLINDER/DUMMY CREMONE MULTI-POINT SETS

Illustrations are for demonstration purposes only. Any lever may be substituted for lever shown.



CMP-832EXT
w/CMP-CB1000INT-PF
-Complete set with
SVB turnpiece, and spindle.
-92mm spacing.
-Interior dummy cremone bolt
is active for multipoint.
-Please specify length of
dummy cremone bolt.
-Patio function.
-Shown with L-104 lever.



CMP-832EXT
w/CMP-CB1000INT-AD
-Complete set with spindle.
-92mm spacing.
-Interior dummy cremone bolt
is active for multipoint.
-Please specify length of
dummy cremone bolt.
-Active dummy.
-Shown with L-104 lever.

Cremone Bolts

CMP-832EXT w/CMP-CB1000INT-PF

Patio function. Profile cylinder multipoint retro-fit set with dummy cremone bolt interior.

CMP-832EXT w/CMP-CB1000INT-AD

Active dummy. Profile cylinder multipoint retro-fit set with dummy cremone bolt interior.

***Please specify length of dummy cremone. (Upcharges may apply).
***Please specify dimension from center of lever to bottom of the door.

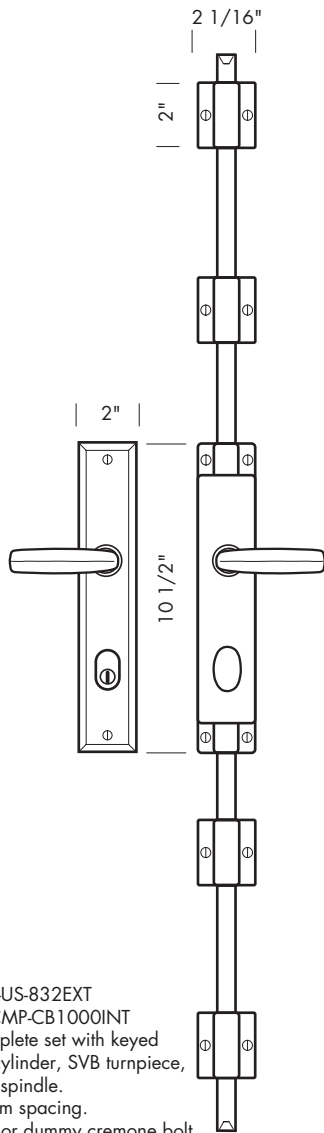
PROPRIETARY AND CONFIDENTIAL: The information contained in this drawing is the sole property of Sun Valley Bronze. Any reproduction in part or as a whole without the written permission of Sun Valley Bronze is prohibited.

Revised 09/04/09

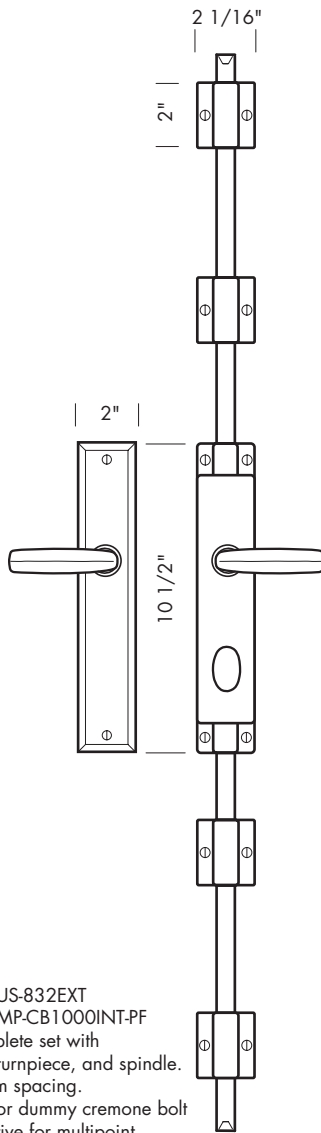


US CYLINDER/DUMMY CREMONE MULTI-POINT SETS

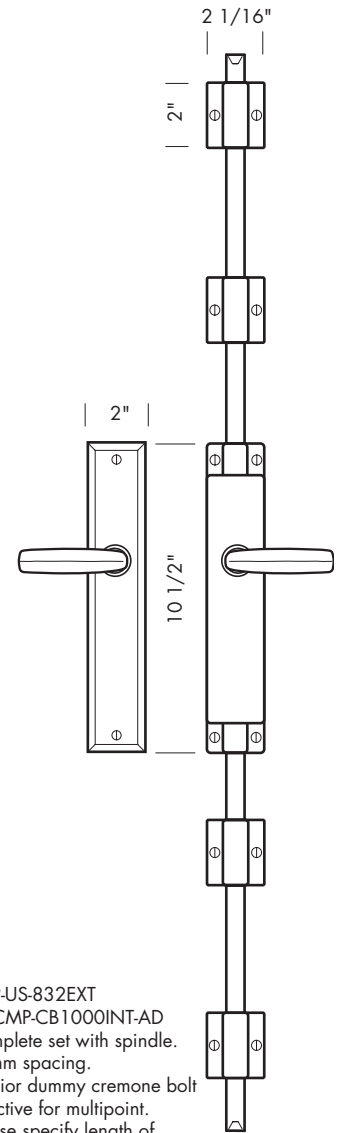
Illustrations are for demonstration purposes only. Any lever may be substituted for lever shown.



CMP-US-832EXT
w/ CMP-CB1000INT
-Complete set with keyed
US cylinder, SVB turnpiece,
and spindle.
-92mm spacing.
-Interior dummy cremone bolt
is active for multipoint.
-Please specify length of
dummy cremone bolt.
-Single cylinder.
-Shown with L-104 lever.



CMP-US-832EXT
w/ CMP-CB1000INT-PF
-Complete set with
SVB turnpiece, and spindle.
-92mm spacing.
-Interior dummy cremone bolt
is active for multipoint.
-Please specify length of
dummy cremone bolt.
-Patio function.
-Shown with L-104 lever.



CMP-US-832EXT
w/ CMP-CB1000INT-AD
-Complete set with spindle.
-92mm spacing.
-Interior dummy cremone bolt
is active for multipoint.
-Please specify length of
dummy cremone bolt.
-Active dummy.
-Shown with L-104 lever.

Cremone Bolts

CMP-US-832EXT w/CMP-CB1000INT

Single cylinder. US cylinder multipoint retro-fit set with dummy cremone bolt interior.

CMP-US-832EXT w/CMP-CB1000INT-PF

Patio function. US cylinder multipoint retro-fit set with dummy cremone bolt interior.

CMP-US-832EXT w/CMP-CB1000INT-AD

Active dummy. US cylinder multipoint retro-fit set with dummy cremone bolt interior.

***Please specify length of dummy cremone. (Upcharges may apply).

***Please specify dimension from center of lever to bottom of the door.

PROPRIETARY AND CONFIDENTIAL: The information contained in this drawing is the sole property of Sun Valley Bronze. Any reproduction in part or as a whole without the written permission of Sun Valley Bronze is prohibited.

Revised 09/04/09

