

CONTENTS

This section contains Complete Gate Latch Sets. Complete Sets include bronze trim, spindle, fasteners and installation instructions. All Complete Gate Latch Set part numbers begin with CS-GL.

NOTE: Gate Latch orders do not qualify for return and are non-refundable.

TABLE OF CONTENTS:

Passage & Privacy Gate Latch Sets	Pages	17-2 – 17-5
Reverse Bevel Passage & Privacy Gate Latch Sets	Pages	17-6 – 17-9
BAGL Gate Latch	Page	17-10
Sliding Gate Latches	Pages	17-11 – 17-14
Gate Latch x Thumb Latch Entry Sets	Pages	17-15 – 17-16
Gate Latch x Thumb Latch Reverse Bevel Entry Sets	Pages	17-17 – 17-18
Gate Latch x Lever/Knob Entry Set	Pages	17-19 – 17-20

ORDERING INSTRUCTIONS:

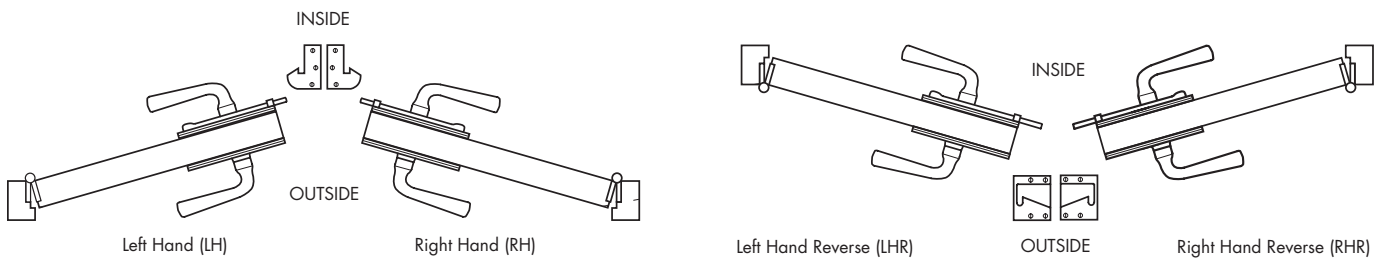
Complete Sets: Always provide quantity, item number, lever number, patina, door handing and door thickness.

*Example of order for CS-GL100 inside x P-125 outside.

QTY	ITEM#/LEVER#	PATINA	HANDING	THICKNESS
3	CS-GL100/P-125 w/L-106	W2	LH	2 1/4"

Custom Sets: See Custom Ordering Instructions in the General Information section at front of binder.

DOOR HANDING GUIDE:

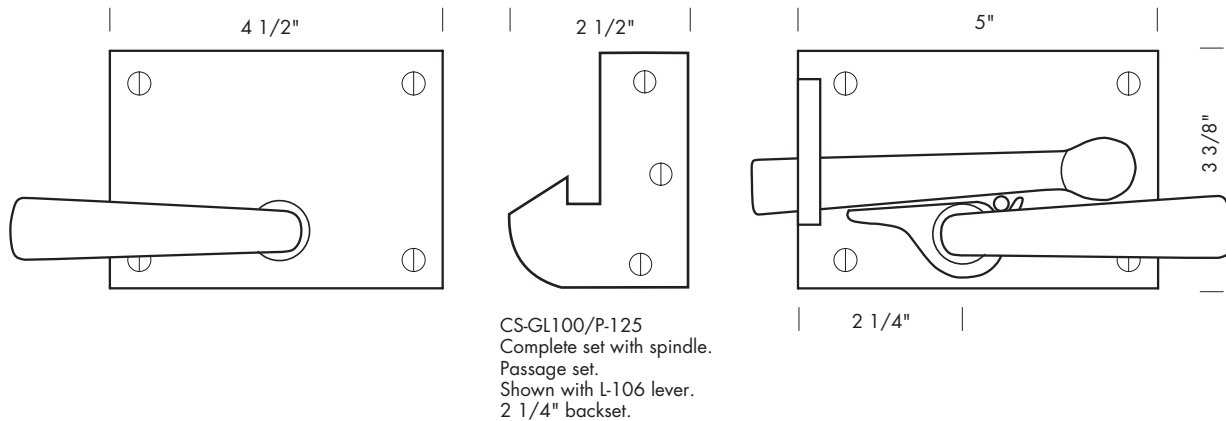


Revised 03/08/10



GL100 PASSAGE & PRIVACY GATE LATCH SETS

Illustrations are for demonstration purposes only. Any lever or knob may be substituted for lever or knob shown.



CS-GL100/P-125
Complete set with spindle.
Passage set.
Shown with L-106 lever.
2 1/4" backset.

Complete sets with bar latch, receiver strike, and spindle.

CS-GL100/P-125

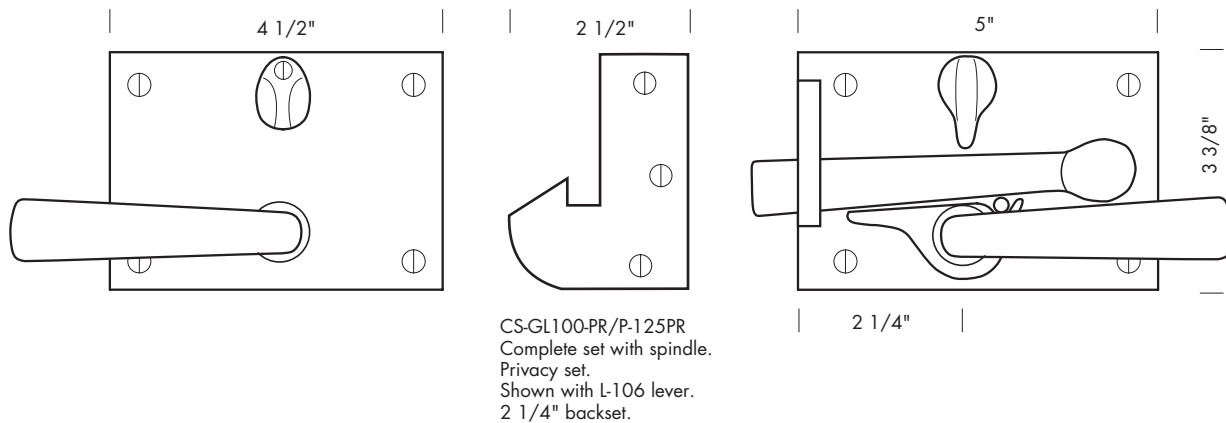
Passage set.
4 1/2" x 3 3/8" Exterior plate P-125.
5" x 3 3/8" Gate latch GL-100.

2 1/4" backset.

Door handing and thickness is required.

Always specify lever/knob design.

*Any Tubular Latch Passage Set escutcheon plate 2 1/2" or narrower may be substituted for the P-125 exterior plate listed above. Upcharges may apply.



CS-GL100-PR/P-125PR
Complete set with spindle.
Privacy set.
Shown with L-106 lever.
2 1/4" backset.

Complete sets with bar latch, receiver strike, and spindle.

CS-GL100-PR/P-125PR

Privacy set.
4 1/2" x 3 3/8" Exterior plate P-125.
5" x 3 3/8" Gate latch GL-100.

2 1/4" backset.

Door handing and thickness is required.

Always specify lever/knob design.

PROPRIETARY AND CONFIDENTIAL: The information contained in this drawing is the sole property of Sun Valley Bronze. Any reproduction in part or as a whole without the written permission of Sun Valley Bronze is prohibited.

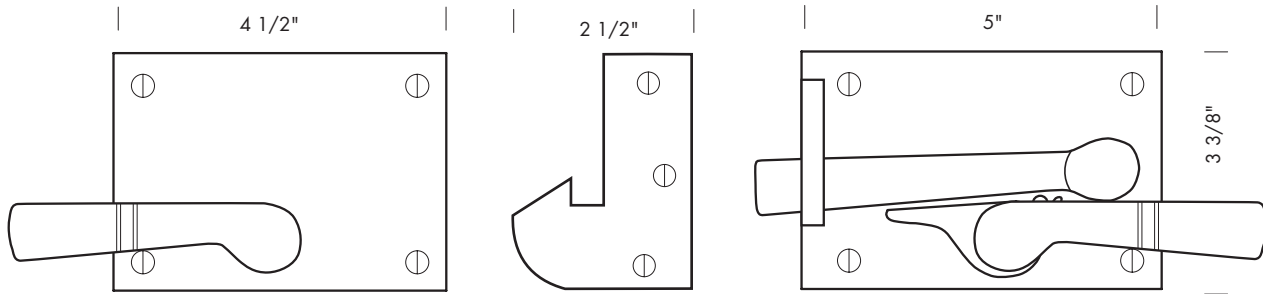
Revised 03/08/10



GL200 PASSAGE & PRIVACY GATE LATCH SETS

SUN VALLEY BRONZE

Illustrations are for demonstration purposes only. Any lever or knob may be substituted for lever or knob shown.



CS-GL200/P-150
Complete set with spindle.
Passage set.
Shown with L-109 lever.
2 3/4" backset.

Complete sets with bar latch, receiver strike, and spindle.

CS-GL-200/P-150

Passage set.

4 1/2" x 3 3/8" Exterior plate P-150.

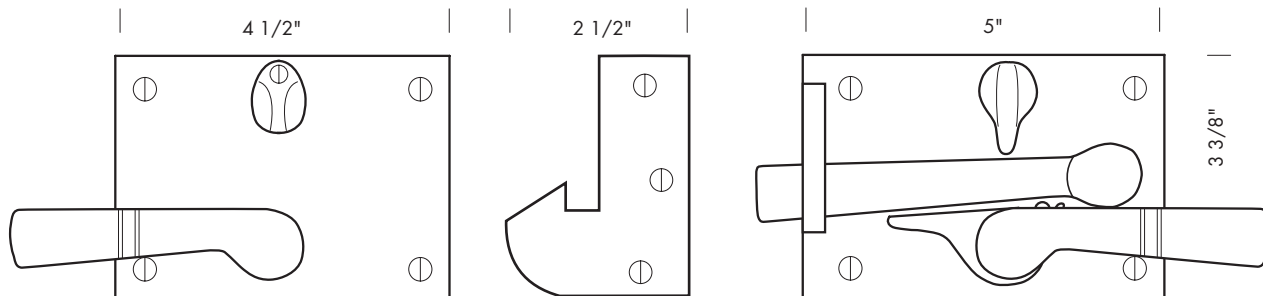
5" x 3 3/8" Gate latch GL-200.

2 3/4" backset.

Door handing and thickness is required.

Always specify lever/knob design.

*Any Tubular Latch Passage Set escutcheon plate may be substituted for the P-150 exterior plate listed above. Upcharges may apply.



CS-GL200-PR/P-150PR
Complete set with spindle.
Privacy set.
Shown with L-109 lever.
2 3/4" backset.

Complete sets with bar latch, receiver strike, and spindle.

CS-GL-200-PR/P-150PR

Privacy set.

4 1/2" x 3 3/8" Exterior plate P-150.

5" x 3 3/8" Gate latch GL-200.

2 3/4" backset.

Door handing and thickness is required.

Always specify lever/knob design.

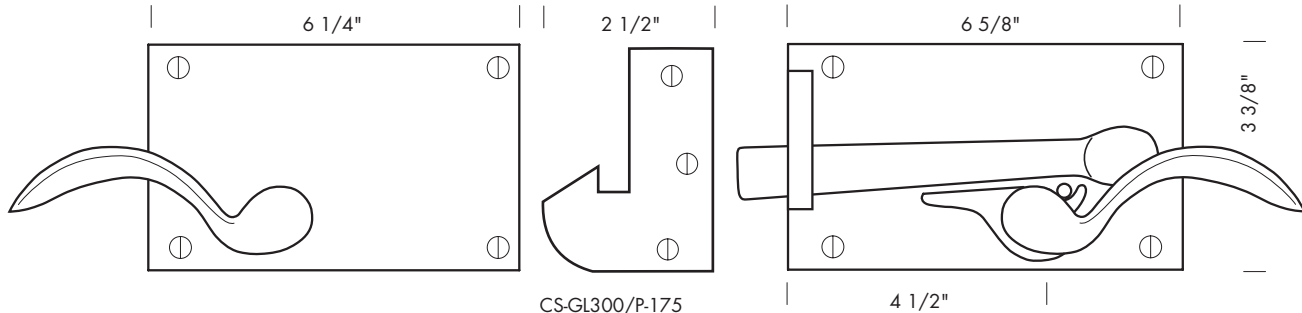
PROPRIETARY AND CONFIDENTIAL: The information contained in this drawing is the sole property of Sun Valley Bronze. Any reproduction in part or as a whole without the written permission of Sun Valley Bronze is prohibited.

Revised 03/08/10



GL300 PASSAGE & PRIVACY GATE LATCH SETS

Illustrations are for demonstration purposes only. Any lever or knob may be substituted for lever or knob shown. Left hand set shown.



CS-GL300/P-175
Complete set with spindle.
Passage set.
Shown with L-105 lever.
4 1/2" backset.

Complete sets with bar latch, receiver strike, and spindle.

CS-GL300/P-175

Passage set.

6 1/4" x 3 3/8" Exterior plate P-175.

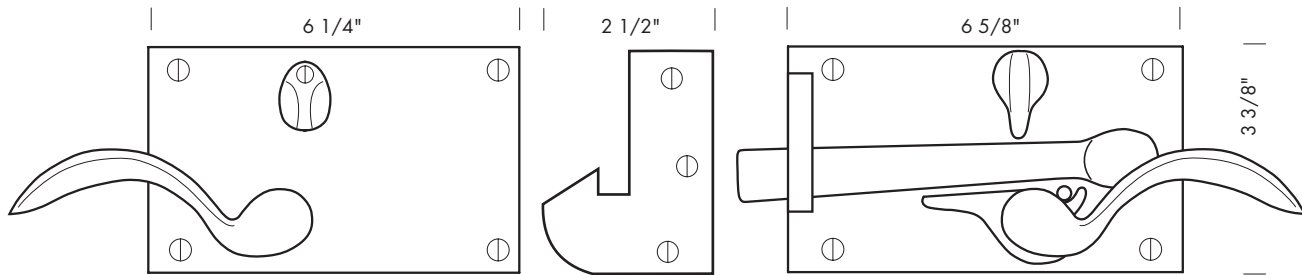
6 5/8" x 3 3/8" Gate latch GL-300.

4 1/2" backset.

Door handing and thickness is required.

Always specify lever/knob design.

*Any Tubular Latch Passage Set escutcheon plate may be substituted for the P-175 exterior plate listed above. Upcharges may apply.



CS-GL300-PR/P-175PR
Complete set with spindle.
Privacy set.
Shown with L-105 lever.
4 1/2" backset.

Complete sets with bar latch, receiver strike, and spindle.

CS-GL300-PR/P-175PR

Privacy set.

6 1/4" x 3 3/8" Exterior plate P-175.

6 5/8" x 3 3/8" Gate latch GL-300.

4 1/2" backset.

Door handing and thickness is required.

Always specify lever/knob design.

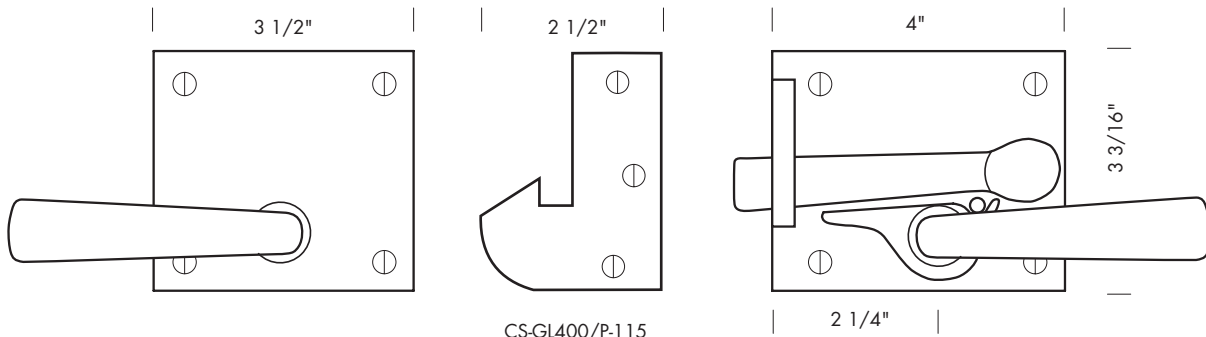
PROPRIETARY AND CONFIDENTIAL: The information contained in this drawing is the sole property of Sun Valley Bronze. Any reproduction in part or as a whole without the written permission of Sun Valley Bronze is prohibited.

Revised 03/08/10



GL400 PASSAGE & PRIVACY GATE LATCH SETS

Illustrations are for demonstration purposes only. Any lever or knob may be substituted for lever or knob shown.



CS-GL400/P-115
Complete set with spindle.
Passage set.
Shown with L-106 lever.
2 1/4" backset.

Complete sets with bar latch, receiver strike, and spindle.

CS-GL400/P-115

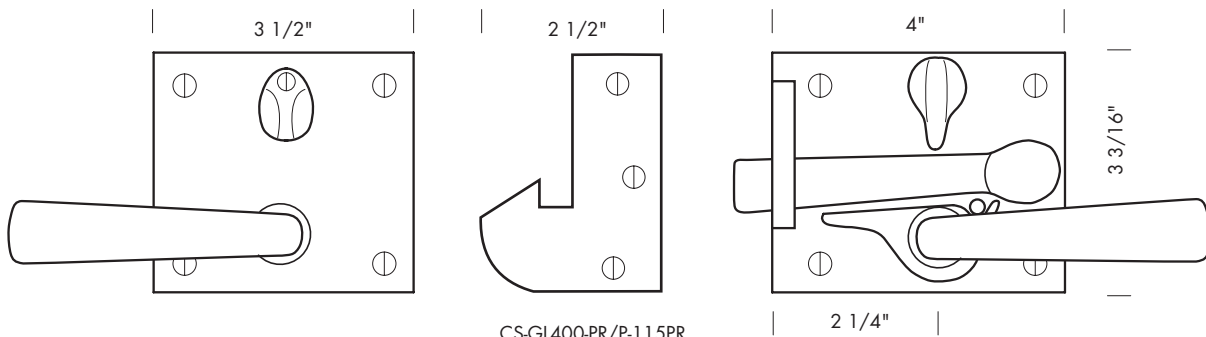
Passage set.
3 1/2" x 3 3/16" Exterior plate P-115.
4" x 3 3/16" Gate latch GL-400.

2 1/4" backset.

Door handing and thickness is required.

Always specify lever/knob design.

*Any Tubular Latch Passage Set escutcheon plate may be substituted for the P-115 exterior plate listed above. Upcharges may apply.



CS-GL400-PR/P-115PR
Complete set with spindle.
Privacy set.
Shown with L-106 lever.
2 1/4" backset.

Complete sets with bar latch, receiver strike, and spindle.

CS-GL400-PR/P-115PR

Privacy set.
3 1/2" x 3 3/16" Exterior plate P-115.
4" x 3 3/16" Gate latch GL-400.

2 1/4" backset.

Door handing and thickness is required.

Always specify lever/knob design.

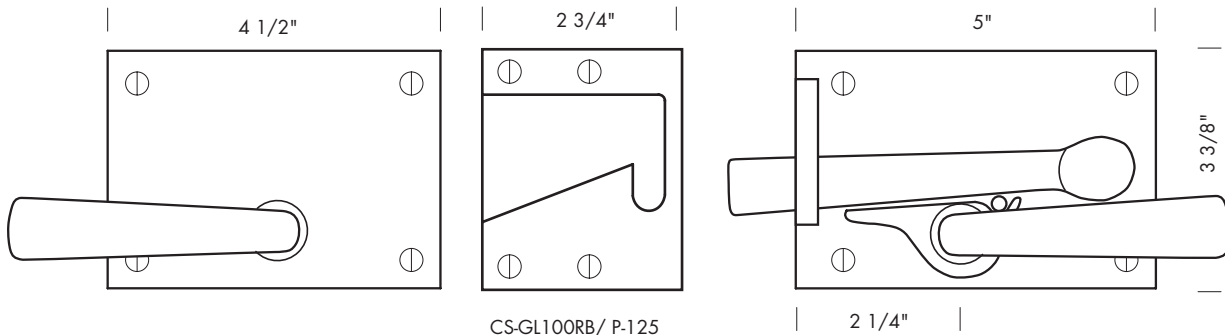
PROPRIETARY AND CONFIDENTIAL: The information contained in this drawing is the sole property of Sun Valley Bronze. Any reproduction in part or as a whole without the written permission of Sun Valley Bronze is prohibited.

Revised 03/08/10



GL100RB REVERSE PASSAGE & PRIVACY GATE LATCH SETS

Illustrations are for demonstration purposes only. Any lever or knob may be substituted for lever or knob shown.



CS-GL100RB/ P-125
Complete set with spindle.
Passage set.
Shown with L-106 lever.
2 1/4" backset.

Complete sets with bar latch, receiver strike, and spindle.

CS-GL100RB/P-125

Passage set.

4 1/2" x 3 3/8" Exterior plate P-125.

5" x 3 3/8" Gate latch GL-100RB.

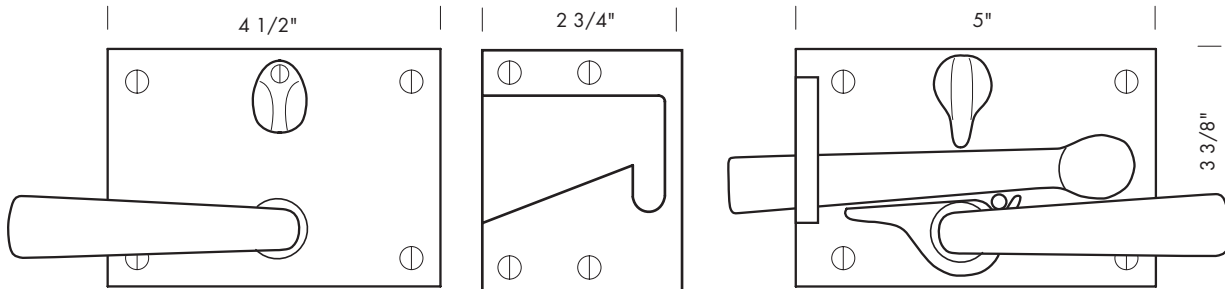
Reversed bevel is used when gate latch is on the inside of an out-swing door.

2 1/4" backset.

Door handing and thickness is required.

Always specify lever/knob design.

*Any Tubular Latch Passage Set escutcheon plate may be substituted for the P-125 exterior plate listed above. Upcharges may apply.



CS-GL100RB-PR/ P-125PR
Complete set with spindle.
Privacy set.
Shown with L-106 lever.
2 1/4" backset.

Complete sets with bar latch, receiver strike, and spindle.

CS-GL100RB-PR/P-125PR

Privacy set.

4 1/2" x 3 3/8" Exterior plate P-125.

5" x 3 3/8" Gate latch GL-100RB.

Reversed bevel is used when gate latch is on the inside of an out-swing door.

2 1/4" backset.

Door handing and thickness is required.

Always specify lever/knob design.

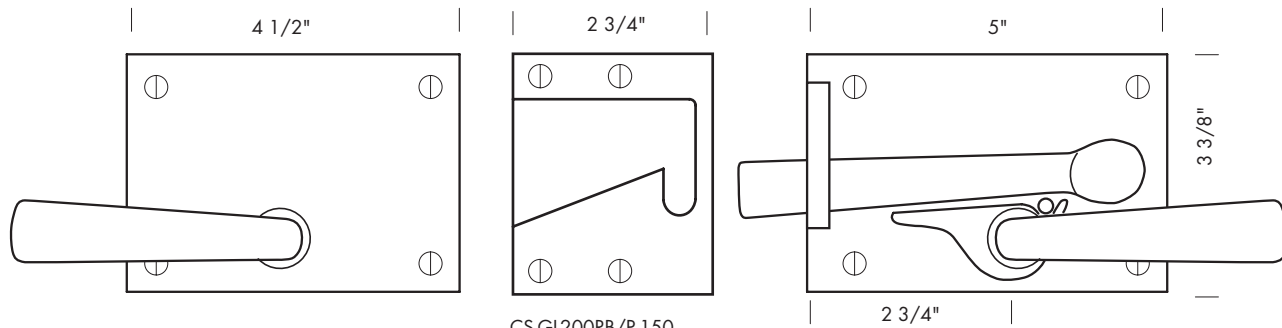
PROPRIETARY AND CONFIDENTIAL: The information contained in this drawing is the sole property of Sun Valley Bronze. Any reproduction in part or as a whole without the written permission of Sun Valley Bronze is prohibited.

Revised 03/08/10



GL200RB REVERSE PASSAGE & PRIVACY GATE LATCH SETS

Illustrations are for demonstration purposes only. Any lever or knob may be substituted for lever or knob shown.



CS-GL200RB/P-150
 -Complete set with spindle.
 -Passage set.
 -Shown with L-106 lever.
 -2 3/4" backset.

Complete sets with bar latch, receiver strike, and spindle.

CS-GL200RB/P-150

Passage set.

4 1/2" x 3 3/8" Exterior plate P-150.

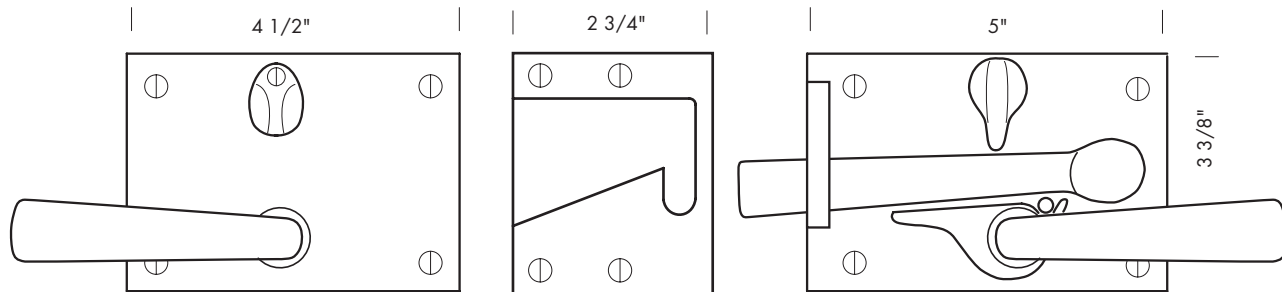
5" x 3 3/8" Gate latch GL-200RB.

Reversed bevel is used when gate latch is on the inside of an out-swing door.
 2 3/4" backset.

Door handing and thickness is required.

Always specify lever/knob design.

*Any Tubular Latch Passage Set escutcheon plate may be substituted for the P-150 exterior plate listed above. Upcharges may apply.



CS-GL200RB-PR/P-150PR
 -Complete set with spindle.
 -Privacy set.
 -Shown with L-106 lever.
 -2 3/4" backset.

Complete sets with bar latch, receiver strike, and spindle.

CS-GL200RB-PR/P-150PR

Privacy set.

4 1/2" x 3 3/8" Exterior plate P-150.

5" x 3 3/8" Gate latch GL-200RB.

Reversed bevel is used when gate latch is on the inside of an out-swing door.
 2 3/4" backset.

Door handing and thickness is required.

Always specify lever/knob design.

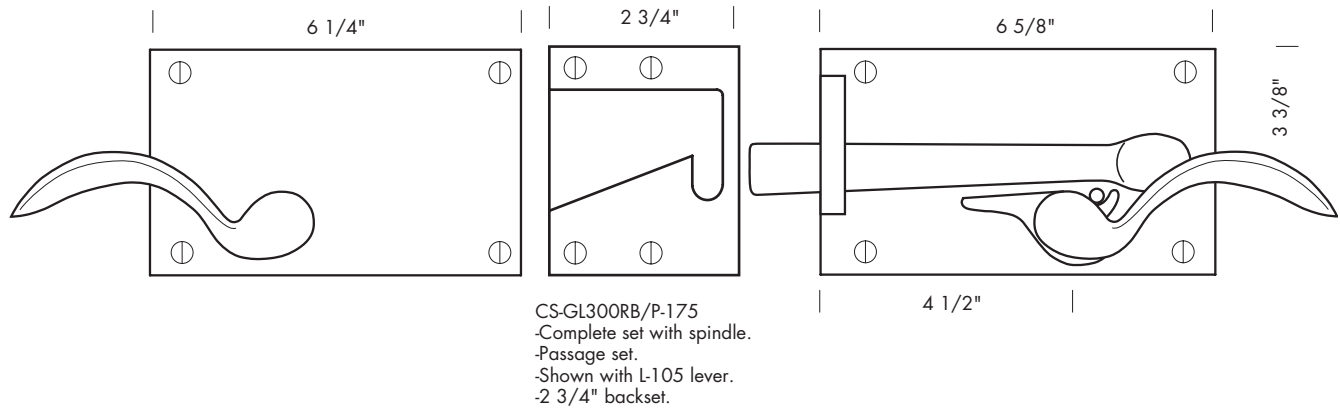
PROPRIETARY AND CONFIDENTIAL: The information contained in this drawing is the sole property of Sun Valley Bronze. Any reproduction in part or as a whole without the written permission of Sun Valley Bronze is prohibited.

Revised 03/08/10



GL300RB REVERSE PASSAGE & PRIVACY GATE LATCH SETS

Illustrations are for demonstration purposes only. Any lever or knob may be substituted for lever or knob shown.



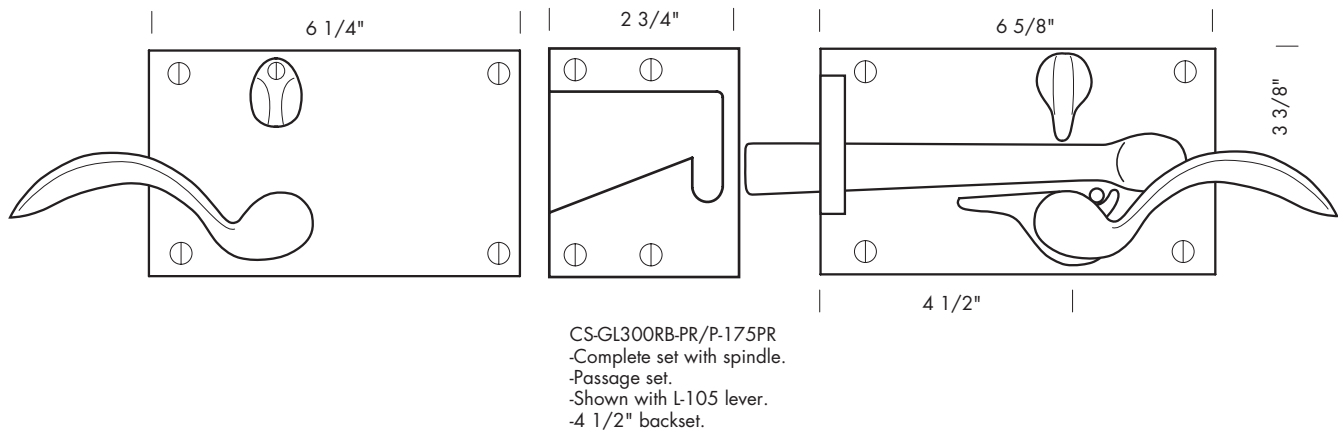
Complete sets with bar latch, receiver strike, and spindle.

CS-GL300RB/P-175 Passage set.
 6 1/4" x 3 3/8" Exterior plate P-175.
 6 3/8" x 3 3/8" Gate latch GL-300RB.

Reversed bevel is used when gate latch is on the inside of an out-swing door.
 4 1/2" backset.

Door handing and thickness is required.
 Always specify lever/knob design.

*Any Tubular Latch Passage Set escutcheon plate may be substituted for the P-175 exterior plate listed above. Upcharges may apply.



Complete sets with bar latch, receiver strike, and spindle.

CS-GL300RB-PR/P-175PR Privacy set.
 6 1/4" x 3 3/8" Exterior plate P-175.
 6 3/8" x 3 3/8" Gate latch GL-300RB.

Reversed bevel is used when gate latch is on the inside of an out-swing door.
 4 1/2" backset.

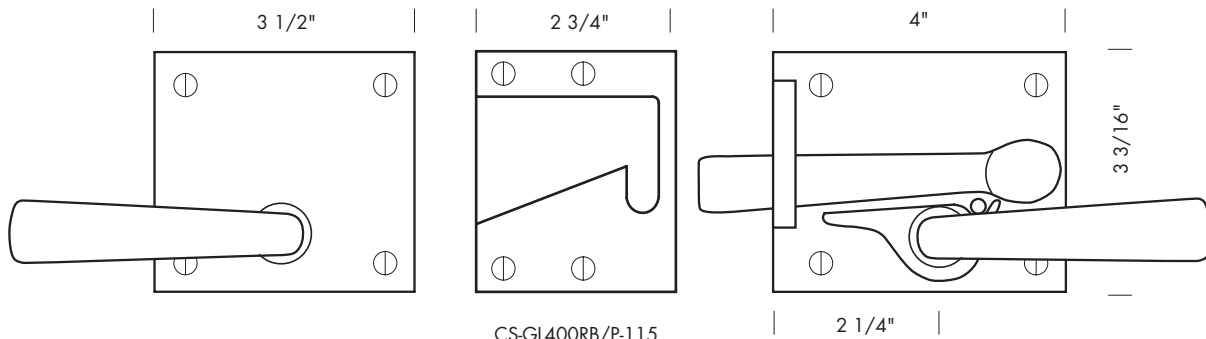
Door handing and thickness is required.
 Always specify lever/knob design.

PROPRIETARY AND CONFIDENTIAL: The information contained in this drawing is the sole property of Sun Valley Bronze. Any reproduction in part or as a whole without the written permission of Sun Valley Bronze is prohibited. *Revised 03/08/10*



GL400RB REVERSE PASSAGE & PRIVACY GATE LATCH SETS

Illustrations are for demonstration purposes only. Any lever or knob may be substituted for lever or knob shown.

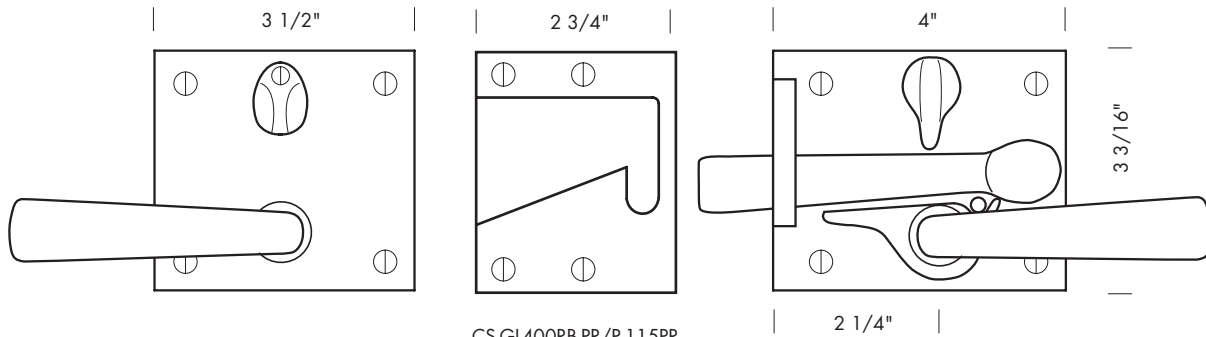


CS-GL400RB/P-115
Complete set with spindle.
Passage set.
Shown with L-106 lever.
2 1/4" backset.

Complete sets with bar latch, receiver strike, and spindle.

CS-GL400RB/P-115 Passage set.
3 1/2" x 3 3/16" Exterior plate P-115.
4" x 3 3/16" Gate latch GL-400RB.

Reversed bevel is used when gate latch is on the inside of an out-swing door.
2 1/4" backset.
Door handing and thickness is required.
Always specify lever/knob design.
*Any Tubular Latch Passage Set escutcheon plate may be substituted for the P-115 exterior plate listed above.
Upcharges may apply.



CS-GL400RB-PR/P-115PR
Complete set with spindle.
Privacy set.
Shown with L-106 lever.
2 1/4" backset.

Complete sets with bar latch, receiver strike, and spindle.

CS-GL400RB-PR/P-115PR Privacy set.
3 1/2" x 3 3/16" Exterior plate P-115.
4" x 3 3/16" Gate latch GL-400RB.

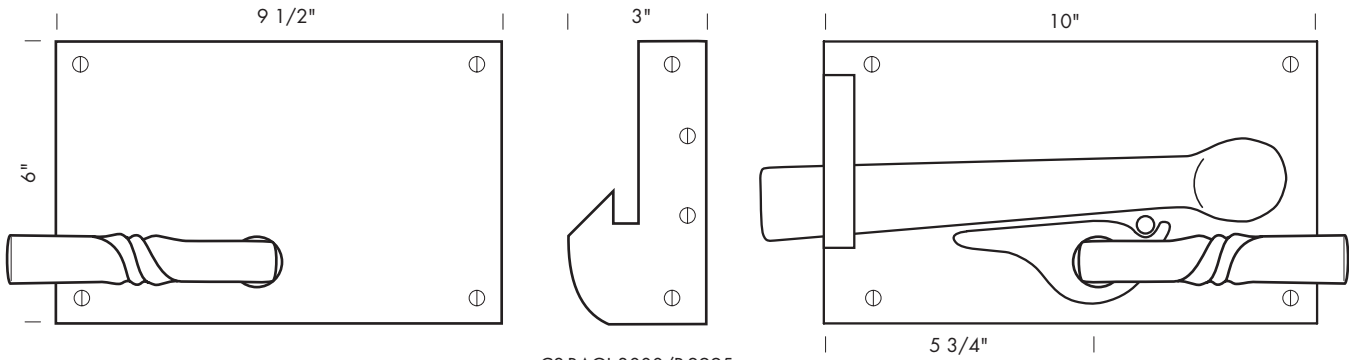
Reversed bevel is used when gate latch is on the inside of an out-swing door.
2 1/4" backset.
Door handing and thickness is required.
Always specify lever/knob design.

PROPRIETARY AND CONFIDENTIAL: The information contained in this drawing is the sole property of Sun Valley Bronze. Any reproduction in part or as a whole without the written permission of Sun Valley Bronze is prohibited. Revised 03/08/10



BAGL3000 PASSAGE & GATE LATCH SETS

Illustrations are for demonstration purposes only. Any lever or knob may be substituted for lever or knob shown. Left hand set shown.



CS-BAGL3000/P-2995
Complete set with spindle.
Passage set.
Shown with L-134 lever.
5 3/4" backset.

Complete sets with bar latch, receiver strike, and spindle.

CS-BAGL3000/P-2995 Passage set.
9 1/2" x 6" Exterior plate P-2995.
10" x 6" Gate latch BAGL-3000.

5 3/4" backset.
Door handing and thickness is required.
Always specify lever/knob design.

SUN VALLEY BRONZE

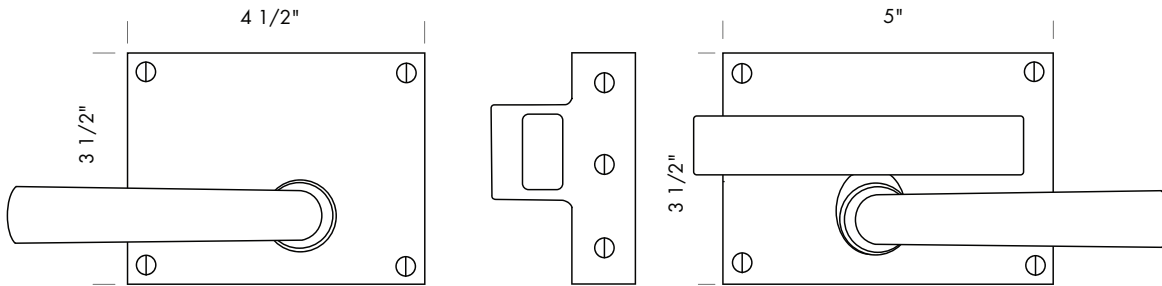
PROPRIETARY AND CONFIDENTIAL: The information contained in this drawing is the sole property of Sun Valley Bronze. Any reproduction in part or as a whole without the written permission of Sun Valley Bronze is prohibited.

Revised 03/08/10



GL900 SLIDING GATE LATCH

Illustrations are for demonstration purposes only. Any lever or knob may be substituted for lever or knob shown.



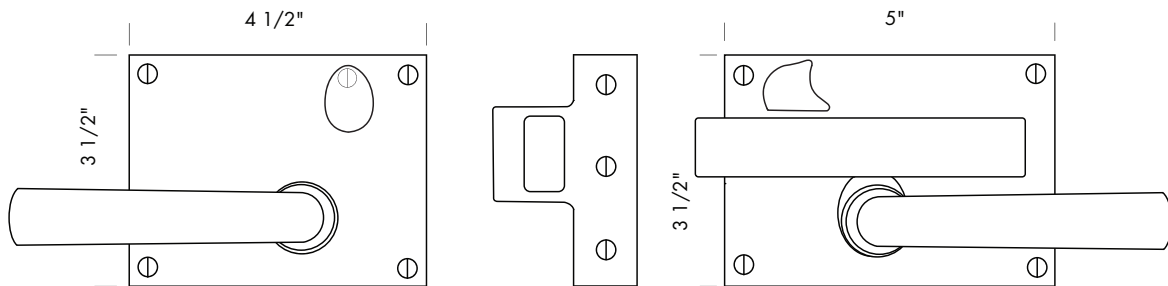
CS-GL900
Sliding gate latch.
Complete set with spindle.
Passage set.
Shown with L-112 lever.
2 3/8" backset.

Complete sets with bar latch, receiver strike, and spindle.

CS-GL900

Passage set.
4 1/2" x 3 1/2" Exterior plate.
5" x 3 1/2" Interior plate.

2 3/8" backset.
Door handing and thickness is required.
Always specify lever/knob design.
Upcharges may apply.



CS-GL900
Sliding gate latch.
Complete set with spindle.
Privacy set.
Shown with L-112 lever.
2 3/8" backset.

Complete sets with bar latch, receiver strike, and spindle.

CS-GL900-PR

Privacy set.
4 1/2" x 3 1/2" Exterior plate.
5" x 3 1/2" Interior plate.

2 3/8" backset.
Door handing and thickness is required.
Always specify lever/knob design.
Upcharges may apply.

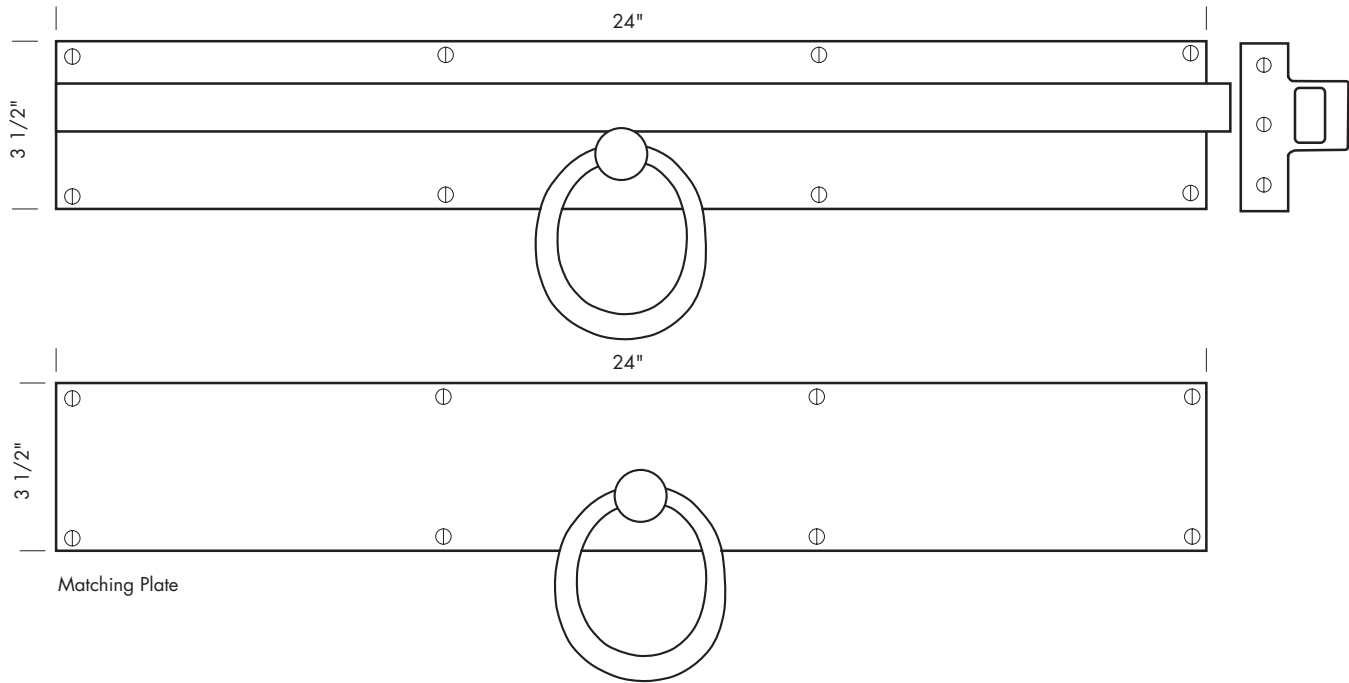
PROPRIETARY AND CONFIDENTIAL: The information contained in this drawing is the sole property of Sun Valley Bronze. Any reproduction in part or as a whole without the written permission of Sun Valley Bronze is prohibited.

Revised 03/08/10



GL9000 SERIES SLIDE BOLT GATE LATCH w/ HIDDEN CAM

Illustrations are for demonstration purposes only. Any lever or knob may be substituted for lever or knob shown.



CS-GL9024 Slide bolt w/matching plate
 Passage set w/ hidden cam.
 Shown with K-211 ring pull.
 2 3/8" backset.

Complete sets with bar latch, receiver strike, and spindle.

CS-GL9024	Passage set. (Shown). 24" x 3 1/2" plate. 24" x 3 1/2" matching plate.
CS-GL9030	Passage set. 30" x 3 1/2" plate. 30" x 3 1/2" matching plate.
CS-GL9036	Passage set. 36" x 3 1/2" plate. 36" x 3 1/2" matching plate.
CS-GL9042	Passage set. 42" x 3 1/2" plate. 42" x 3 1/2" matching plate.

These gate latches can be any custom width to accommodate door widths.

Any backset is available. Can be centered or offset.

Gate latch is self latching.

Any escutcheon plate can be used opposite the gate latch.

Can be made for regular swing or reverse bevel.

Can be used on the interior or exterior of the door.

Door handing and thickness is required.

Always specify lever/knob design.

Available in passage, privacy and keyed functions. Call for pricing.

Upcharges may apply.

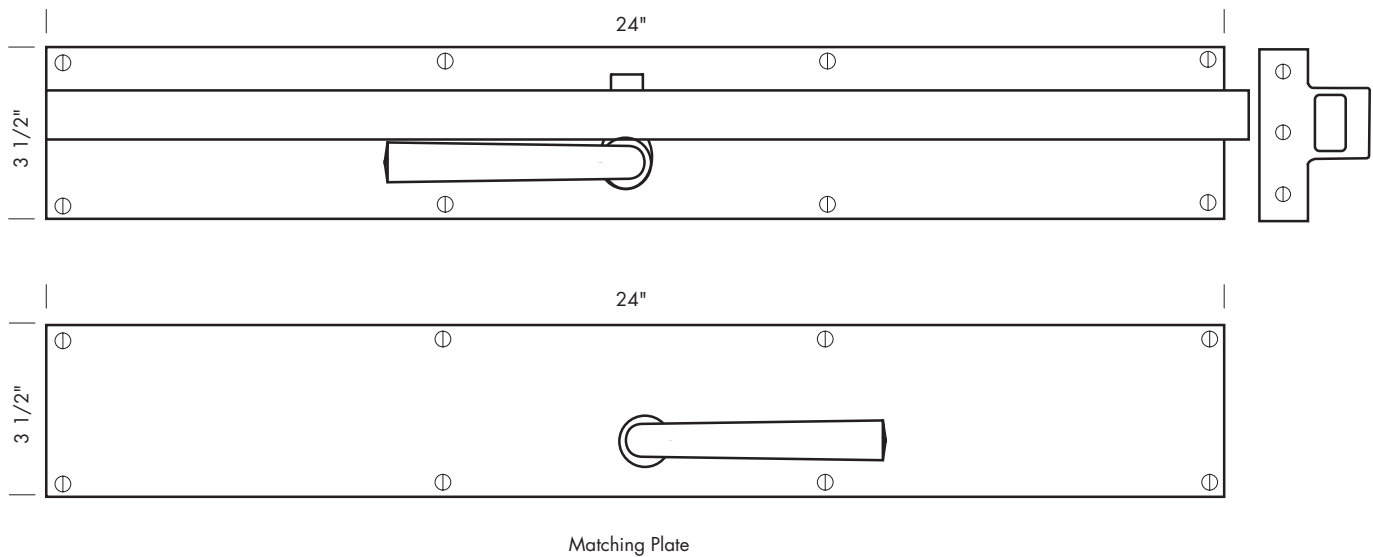
PROPRIETARY AND CONFIDENTIAL: The information contained in this drawing is the sole property of Sun Valley Bronze. Any reproduction in part or as a whole without the written permission of Sun Valley Bronze is prohibited.

Revised 03/08/10



GL9500 SERIES SLIDE BOLT GATE LATCH w/ EXPOSED CAM

Illustrations are for demonstration purposes only. Any lever or knob may be substituted for lever or knob shown.



CS-GL9024 Slide bolt w/matching plate
 Passage set w/ exposed cam.
 Shown with L-122 lever.
 2 3/8" backset.

Complete sets with bar latch, receiver strike, and spindle.

CS-GL9524	Passage set. (Shown). 24" x 3 1/2" plate. 24" x 3 1/2" matching plate.
CS-GL9530	Passage set. 30" x 3 1/2" plate. 30" x 3 1/2" matching plate.
CS-GL9536	Passage set. 36" x 3 1/2" plate. 36" x 3 1/2" matching plate.
CS-GL9542	Passage set. 42" x 3 1/2" plate. 42" x 3 1/2" matching plate.

These gate latches can be any custom width to accommodate door widths.
 Any backset is available. Can be centered or offset.
 Gate latch is self latching.
 Any escutcheon plate can be used opposite the gate latch.
 Can be made for regular swing or reverse bevel.
 Can be used on the interior or exterior of the door.
 Door handing and thickness is required.
 Always specify lever/knob design.
 Available in passage, privacy and keyed functions. Call for pricing.
 Upcharges may apply.

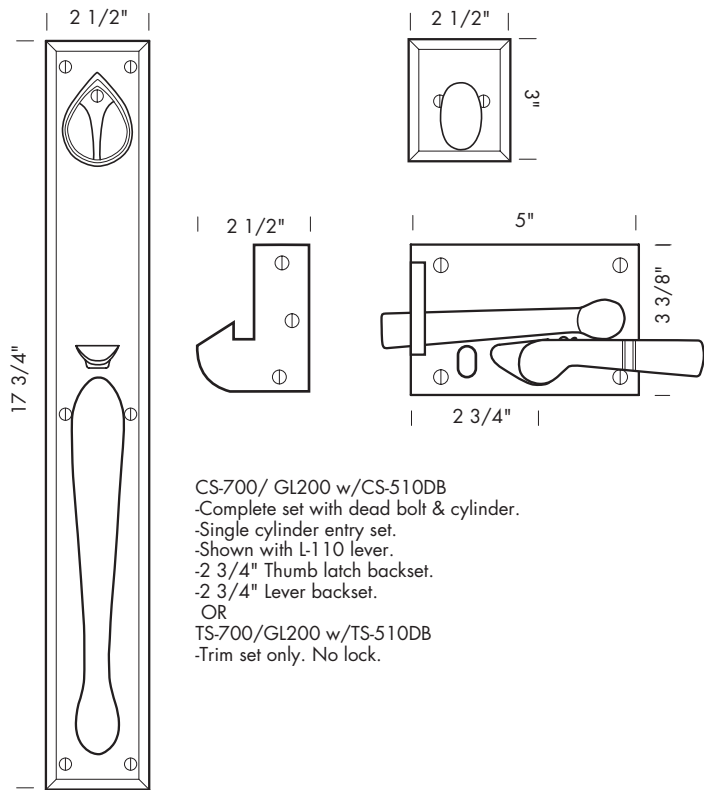
PROPRIETARY AND CONFIDENTIAL: The information contained in this drawing is the sole property of Sun Valley Bronze. Any reproduction in part or as a whole without the written permission of Sun Valley Bronze is prohibited.

Revised 03/08/10



GL200 GATE LATCH x THUMB LATCH ENTRY SETS

Illustrations are for demonstration purposes only. Any lever or knob may be substituted for lever or knob shown.
Left hand set shown.



CS-700/ GL200 w/CS-510DB
 -Complete set with dead bolt & cylinder.
 -Single cylinder entry set.
 -Shown with L-110 lever.
 -2 3/4" Thumb latch backset.
 -2 3/4" Lever backset.
 OR
 TS-700/GL200 w/TS-510DB
 -Trim set only. No lock.

Complete sets with bar latch, receiver strike, and dead bolt cylinder.

CS-700/GL-200 w/CS-510DB Entry set.
 Exterior trim EP-700.
 5" x 3 3/8" Gate latch GL-200.
 2 1/2" x 3" CS-510DB dead bolt set.

2 3/4" backset exterior thumb latch trim.
 2 3/4" backset interior gate latch trim.
 Door handing and thickness is required.
 Always specify lever/knob design.

*Any Handle Entry trim style may be substituted for the EP-700 exterior trim listed above.
 Upcharges may apply.

Trim sets with bar latch and receiver strike. No dead bolt.

TS-700/GL-200 w/TS-510DB Entry set.
 Exterior trim EP-700.
 5" x 3 3/8" Gate Latch GL-200.
 2 1/2" x 3" TS-510DB dead bolt set.

2 3/4" backset exterior thumb latch trim.
 2 3/4" backset interior gate latch trim.
 Door handing and thickness is required.
 Always specify lever/knob design.

*Any Handle Entry trim style may be substituted for the EP-700 exterior trim listed above.
 Upcharges may apply.

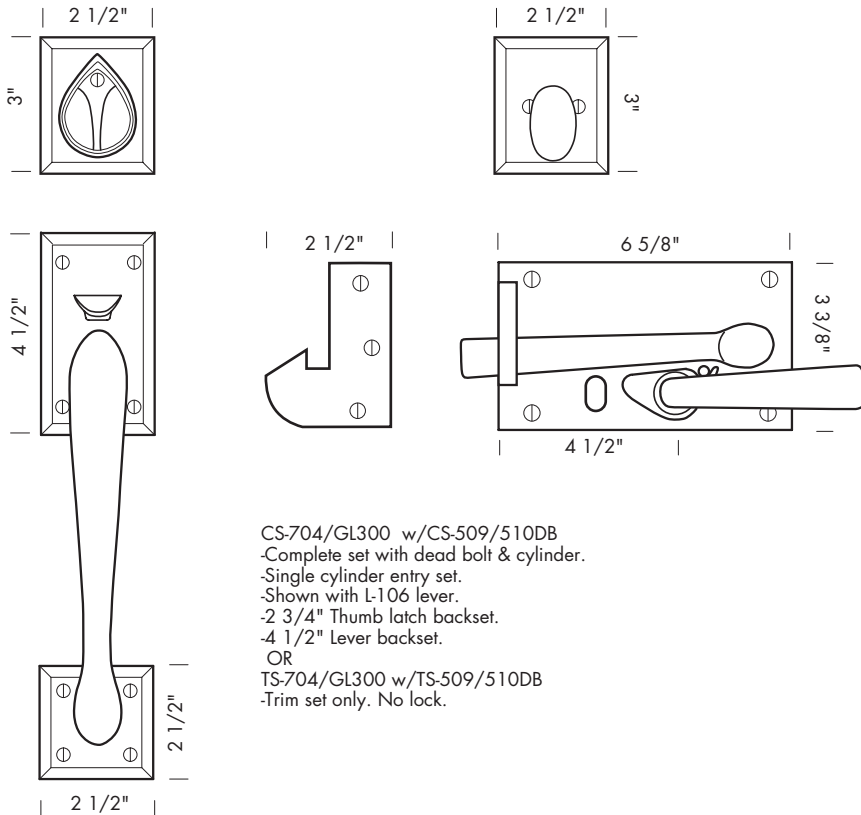
PROPRIETARY AND CONFIDENTIAL: The information contained in this drawing is the sole property of Sun Valley Bronze. Any reproduction in part or as a whole without the written permission of Sun Valley Bronze is prohibited.

Revised 03/08/10



GL300 GATE LATCH x THUMB LATCH ENTRY SETS

Illustrations are for demonstration purposes only. Any lever or knob may be substituted for lever or knob shown.
Left hand set shown.



CS-704/GL300 w/CS-509/510DB
 -Complete set with dead bolt & cylinder.
 -Single cylinder entry set.
 -Shown with L-106 lever.
 -2 3/4" Thumb latch backset.
 -4 1/2" Lever backset.
 OR
 TS-704/GL300 w/TS-509/510DB
 -Trim set only. No lock.

Complete sets with bar latch, receiver strike, and dead bolt cylinder.

CS-704/GL-300 w/CS-509/510DB Entry set.
 Exterior trim EP-704.
 6 5/8" x 3 3/8" Gate latch GL-300.
 2 1/2" x 3" CS-509/510DB dead bolt set.

2 3/4" backset exterior thumb latch trim.
 4 1/2" backset interior gate latch trim.
 Door handing and thickness is required.
 Always specify lever/knob design.
 *Any Handle Entry trim style may be substituted for the EP-704 exterior trim listed above.
 Upcharges may apply.

Trim sets with bar latch and receiver strike. No dead bolt.

TS-704/GL-300 w/TS-509/510DB Entry set.
 Exterior trim EP-704.
 6 5/8" x 3 3/8" Gate latch GL-300.
 2 1/2" x 3" TS-509/510DB dead bolt set.

2 3/4" backset exterior thumb latch trim.
 4 1/2" backset interior gate latch trim.
 Door handing and thickness is required.
 Always specify lever/knob design.
 *Any Handle Entry trim style may be substituted for the EP-704 exterior trim listed above.
 Upcharges may apply.

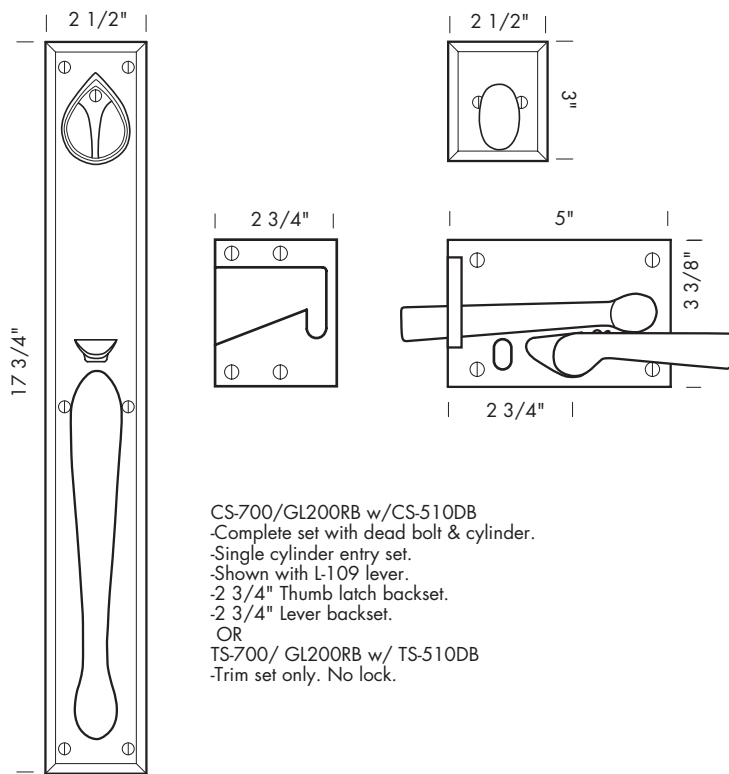
PROPRIETARY AND CONFIDENTIAL: The information contained in this drawing is the sole property of Sun Valley Bronze. Any reproduction in part or as a whole without the written permission of Sun Valley Bronze is prohibited.

Revised 03/08/10



GL200RB REVERSE GATE LATCH x THUMB LATCH ENTRY SETS

Illustrations are for demonstration purposes only. Any lever or knob may be substituted for lever or knob shown. Left hand set shown.



CS-700/GL200RB w/CS-510DB
 -Complete set with dead bolt & cylinder.
 -Single cylinder entry set.
 -Shown with L-109 lever.
 -2 3/4" Thumb latch backset.
 -2 3/4" Lever backset.
 OR
 TS-700/ GL200RB w/ TS-510DB
 -Trim set only. No lock.

Complete sets with bar latch, receiver strike, and dead bolt cylinder.

CS-700/GL-200RB w/CS-510DB Entry set.
 Exterior trim EP-700.
 5" x 3 3/8" Gate latch GL-200RB.
 2 1/2" x 3" CS-510DB dead bolt trim.

Reversed bevel is used when gate latch is on the inside of an out-swing door.
 2 3/4" backset exterior thumb latch trim.
 2 3/4" backset interior gate latch trim.
 Door handing and thickness is required.
 Always specify lever/knob design.
 *Any Handle Entry trim style may be substituted for the EP-700 exterior trim listed above.
 Upcharges may apply.

Trim sets with bar latch and receiver strike. No dead bolt.

TS-700/GL-200RB w/TS-510DB Entry set.
 Exterior trim EP-700.
 5" x 3 3/8" Gate latch GL-200RB.
 2 1/2" x 3" TS-510DB dead bolt trim.

Reversed bevel is used when gate latch is on the inside of an out-swing door.
 2 3/4" backset exterior thumb latch trim.
 2 3/4" backset interior gate latch trim.
 Door handing and thickness is required.
 Always specify lever/knob design.
 *Any Handle Entry trim style may be substituted for the EP-700 exterior trim listed above.
 Upcharges may apply.

PROPRIETARY AND CONFIDENTIAL: The information contained in this drawing is the sole property of Sun Valley Bronze. Any reproduction in part or as a whole without the written permission of Sun Valley Bronze is prohibited.

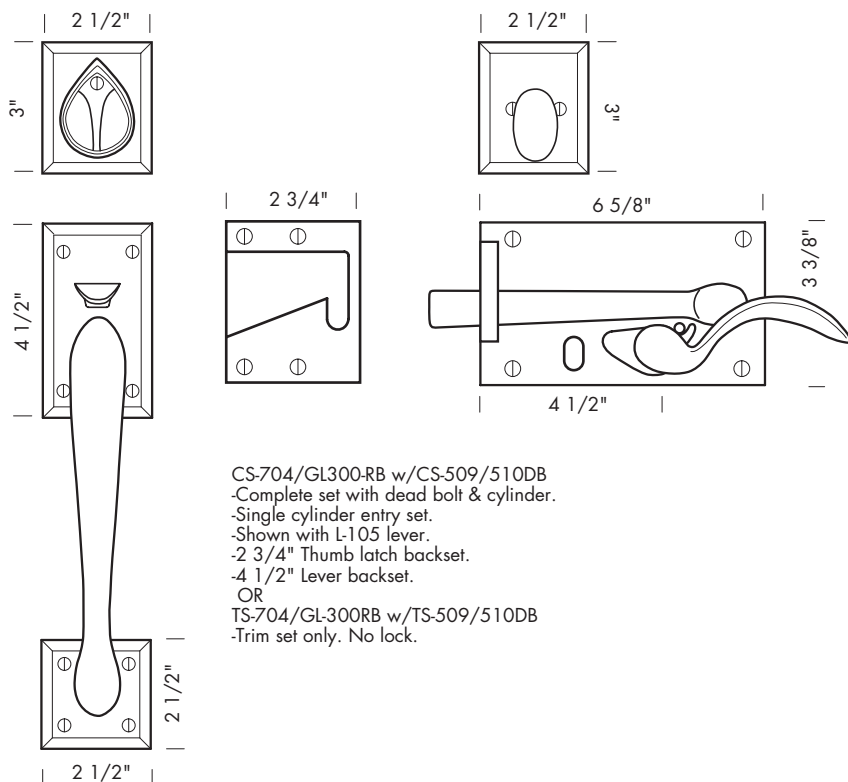
Revised 03/08/10

SUN VALLEY BRONZE



GL300RB REVERSE GATE LATCH x THUMB LATCH ENTRY SETS

Illustrations are for demonstration purposes only. Any lever or knob may be substituted for lever or knob shown.
Left hand set shown.



CS-704/GL300RB w/CS-509/510DB
 -Complete set with dead bolt & cylinder.
 -Single cylinder entry set.
 -Shown with L-105 lever.
 -2 3/4" Thumb latch backset.
 -4 1/2" Lever backset.
 OR
 TS-704/GL-300RB w/TS-509/510DB
 -Trim set only. No lock.

Complete sets with bar latch, receiver strike, and dead bolt cylinder.

CS-704/GL-300RB w/CS-509/510DB Entry set.
 Exterior trim EP-704.
 6 5/8" x 3 3/8" Gate latch GL-300RB.
 2 1/2" x 3" CS-509/510DB dead bolt trim.

Reversed bevel is used when gate latch is on the inside of an out-swing door.
 2 3/4" backset exterior thumb latch trim.
 4 1/2" backset interior gate latch trim.
 Door handing and thickness is required.
 Always specify lever/knob design.
 *Any Handle Entry trim style may be substituted for the EP-704 exterior trim listed above.
 Upcharges may apply.

Trim sets with bar latch and receiver strike. No dead bolt.

TS-704/GL-300RB w/TS-509/510DB Entry set.
 Exterior trim EP-704.
 6 5/8" x 3 3/8" Gate latch GL-300RB.
 2 1/2" x 3" TS-509/510DB dead bolt trim.

Reversed bevel is used when gate latch is on the inside of an out-swing door.
 2 3/4" backset exterior thumb latch trim.
 4 1/2" backset interior gate latch trim.
 Door handing and thickness is required.
 Always specify lever/knob design.
 *Any Handle Entry trim style may be substituted for the EP-704 exterior trim listed above.
 Upcharges may apply.

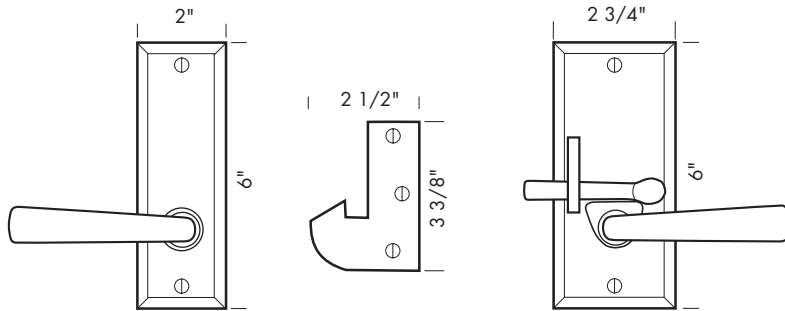
PROPRIETARY AND CONFIDENTIAL: The information contained in this drawing is the sole property of Sun Valley Bronze. Any reproduction in part or as a whole without the written permission of Sun Valley Bronze is prohibited.

Revised 03/08/10



GL550 GATE LATCH x LEVER/KNOB ENTRY SETS

Illustrations are for demonstration purposes only. Any lever or knob may be substituted for lever or knob shown. Left hand set shown.



CS-GL550/P-135
-Complete set with receiver strike & spindle.
-Passage set.
-Shown with L-106 lever.
-1 1/2" backset.
-Left hand set shown.

Complete sets with bar latch, receiver strike, and spindle.

- CS-GL550/P-135 Passage set.
 2" x 6" exterior plate.
 2 3/4" x 6" interior plate.
- CS-GL550/P-135-PR Privacy set.
- CS-GL550/P-135-PF Patio function.
- CS-GL550/P-135-FD Full dummy.

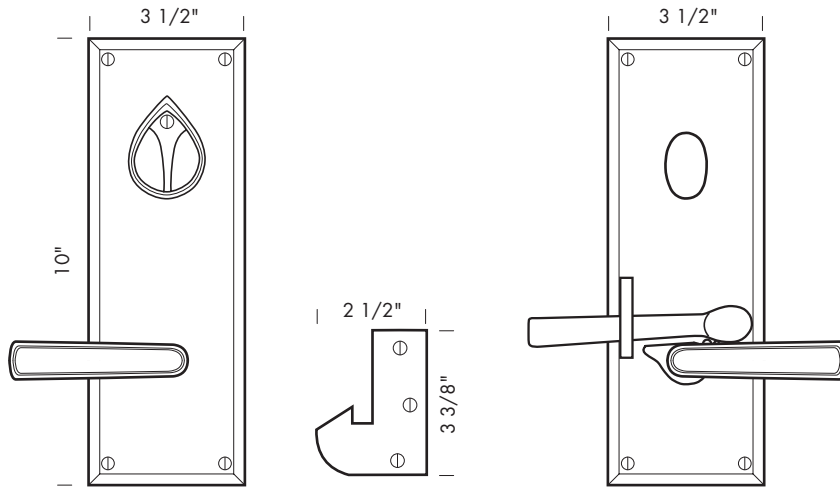
PROPRIETARY AND CONFIDENTIAL: The information contained in this drawing is the sole property of Sun Valley Bronze. Any reproduction in part or as a whole without the written permission of Sun Valley Bronze is prohibited.

Revised 03/08/10



GL600 GATE LATCH x LEVER/KNOB ENTRY SETS

Illustrations are for demonstration purposes only. Any lever or knob may be substituted for lever or knob shown.
Left hand set shown.



CS-GL600PLD
 -Complete set with dead bolt,
 receiver strike & spindle.
 -Entry set.
 -Shown with L-149 lever.
 -2 3/4" backset.
 -Left hand set shown.

Complete sets with bar latch, receiver strike, and spindle.

CS-GL600PLD	Single cylinder Gate Latch Entry Set. (Shown).
CS-GL600PLD-DC	Double cylinder Gate Latch Entry Set.
CS-GL600PLD-PF	Patio function Gate Latch Entry Set.
CS-GL600	Gate Latch passage set.

Trim sets with bar latch, receiver strike and spindle. No deadbolt.

TS-GL600PLD	Single cylinder Gate Latch Entry Set.
TS-GL600PLD-DC	Double cylinder Gate Latch Entry Set.
TS-GL600PLD-PF	Patio function Gate Latch Entry Set.
TS-GL600FD	Full dummy set.

2 3/4" backset. Door handing and thickness is required.
 Always specify lever/knob design.

PROPRIETARY AND CONFIDENTIAL: The information contained in this drawing is the sole property of Sun Valley Bronze. Any reproduction in part or as a whole without the written permission of Sun Valley Bronze is prohibited.

Revised 03/08/10

