

CONTENTS

This section contains Grip Handles, D Handles, Offset Handles and Push Plates.

TABLE OF CONTENTS:

<u>Grip Handles</u>	<u>Pages</u>	<u>15-2 - 15-18</u>
<u>D Handles</u>	<u>Page</u>	<u>15-20</u>
<u>Offset Handles</u>	<u>Page</u>	<u>15-21</u>
<u>Push Plates</u>	<u>Page</u>	<u>15-22 - 15-23</u>

ORDERING INSTRUCTIONS:

Any grip handle can be combined with any appropriately sized push plate. When combining a grip handle and a push plate, always specify which grip handle and which push plate will be used. Always specify grip handle location as centered on push plate or offset. If grip handle location is offset, specify desired spacing.

Complete Sets: Always provide quantity, item number, and patina.

When mounting handles back to back, always provide quantity (2 per set), item number, function (back to back), patina, and door thickness.

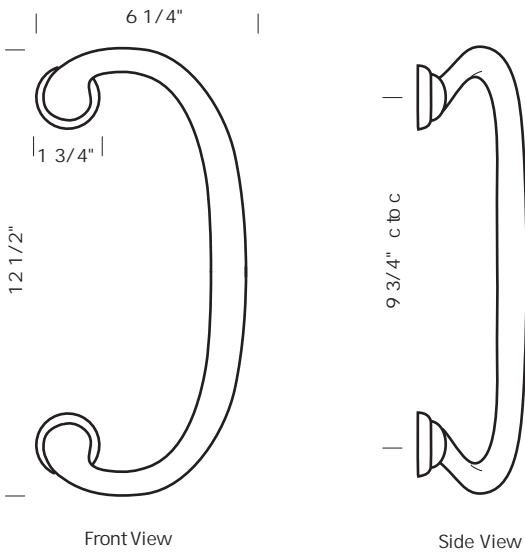
* Example of order two GH-500 Pulls mounted back to back.

QTY	ITEM#/LEVER#	FUNCTION	PATINA	THICKNESS
2	GH-500	back to back	S3	1 3/4"

Revised 11/04/10



Illustrations are for demonstration purposes only.



GH-345

Grip handles.

GH-345 C Grip handle. 9 3/4" center to center.

Thru bolts provided. Please provide thickness.

All grip handles can be mounted back to back.

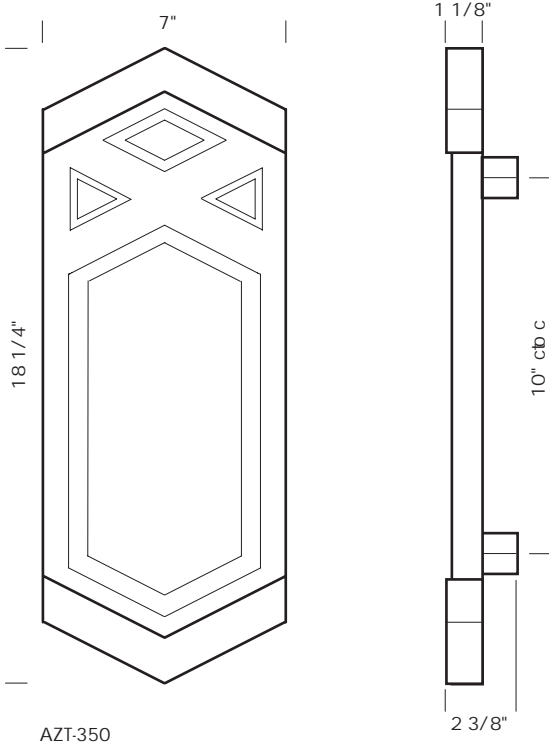
Please provide door thickness when mounting back to back. See price book for upcharge.

PROPRIETARY AND CONFIDENTIAL: The information contained in this drawing is the sole property of Sun Valley Bronze. Any reproduction in part or as a whole without the written permission of Sun Valley Bronze is prohibited.

Revised 11/04/10



Illustrations are for demonstration purposes only.



AZT-350

Grip handles.

AZT-350 7" x 18 1/4" Custom door pull.
 10" center to center.

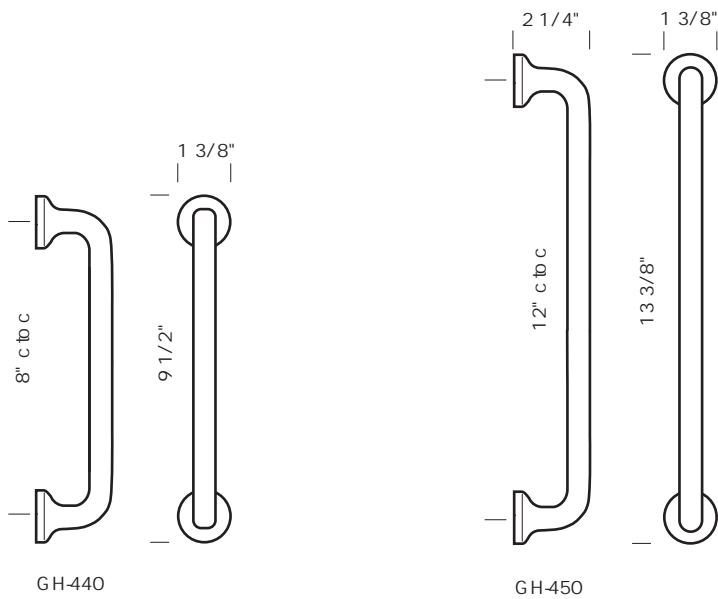
SUN VALLEY BRONZE

PROPRIETARY AND CONFIDENTIAL: The information contained in this drawing is the sole property of Sun Valley Bronze. Any reproduction in part or as a whole without the written permission of Sun Valley Bronze is prohibited.

Revised 11/04/10



Illustrations are for demonstration purposes only.



Grip handles.

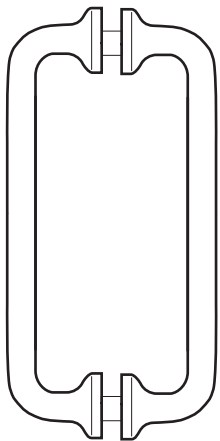
GH-440 Grip handle. 8" center to center.

GH-450 Grip handle. 12" center to center.

Thru bolts provided. Please specify thickness.

All grip handles can be mounted back to back.

Please provide door thickness when mounting back to back. See price book for upcharge.



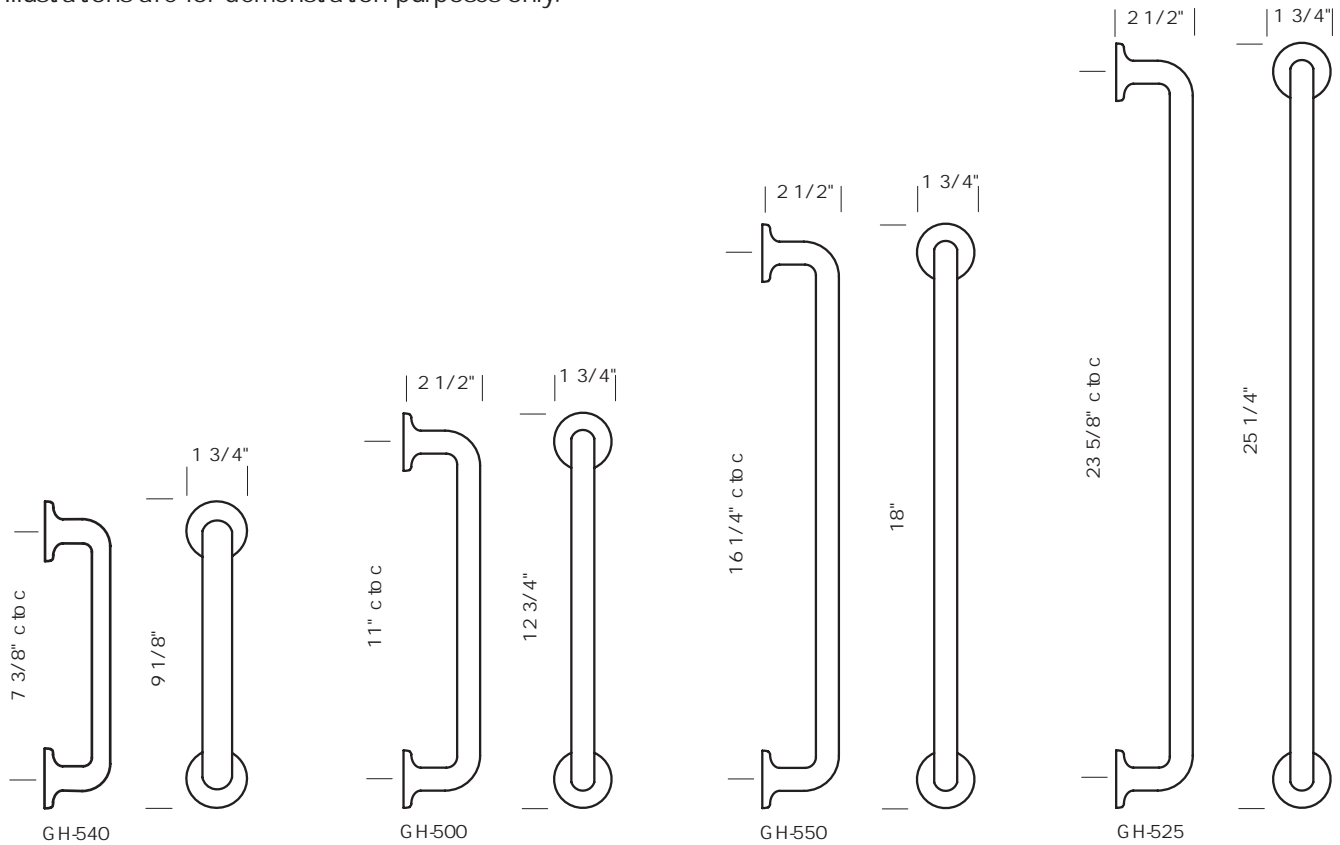
Optional back to back mounting.
(GH-440 shown).

PROPRIETARY AND CONFIDENTIAL: The information contained in this drawing is the sole property of Sun Valley Bronze. Any reproduction in part or as a whole without the written permission of Sun Valley Bronze is prohibited.

Revised 11/04/10



Illustrations are for demonstration purposes only.



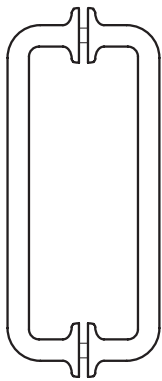
Grip handles.

- GH-500 Grip handle pull. 11" center to center.
- GH-525 Grip handle pull. 23 5/8" center to center.
- GH-540 Grip handle pull. 7 3/8" center to center.
- GH-550 Grip handle pull. 16 1/4" center to center.

Thru bolts provided. Please specify thickness.

All grip handles can be mounted back to back.

Please provide door thickness when mounting back to back. See price book for upcharge.



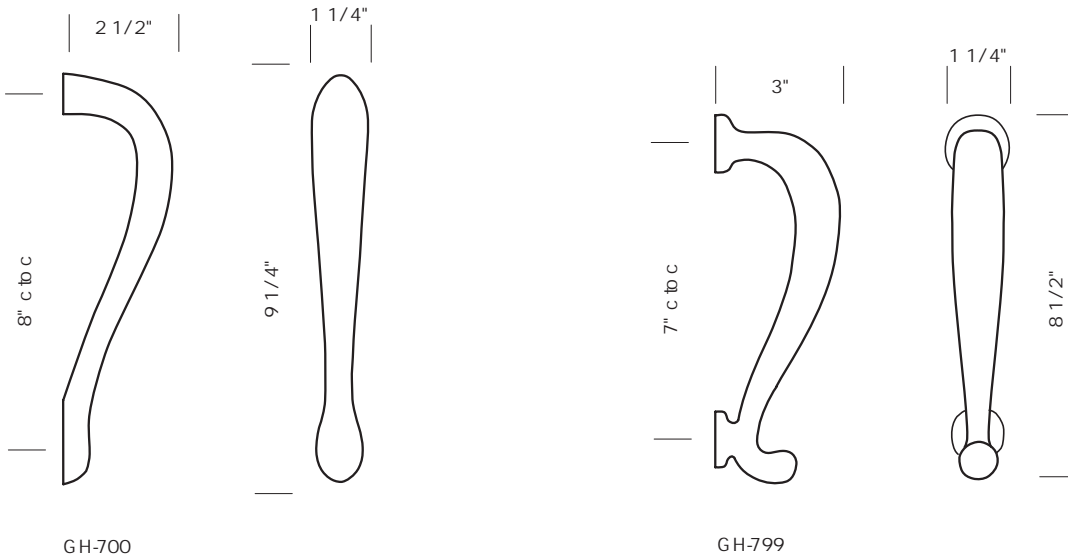
Optional back to back mounting.
(GH-500 shown).

PROPRIETARY AND CONFIDENTIAL: The information contained in this drawing is the sole property of Sun Valley Bronze. Any reproduction in part or as a whole without the written permission of Sun Valley Bronze is prohibited.

Revised 11/04/10



Illustrations are for demonstration purposes only.

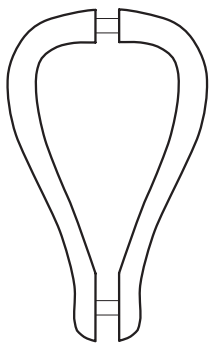


Grip handles.

GH-700 Grip handle pull. 8" center to center.

GH-799 Grip handle pull. 7" center to center.

Thru bolts provided. Please specify thickness.
 All grip handles can be mounted back to back.
 Please provide door thickness when mounting back to back. See price book for upcharge.



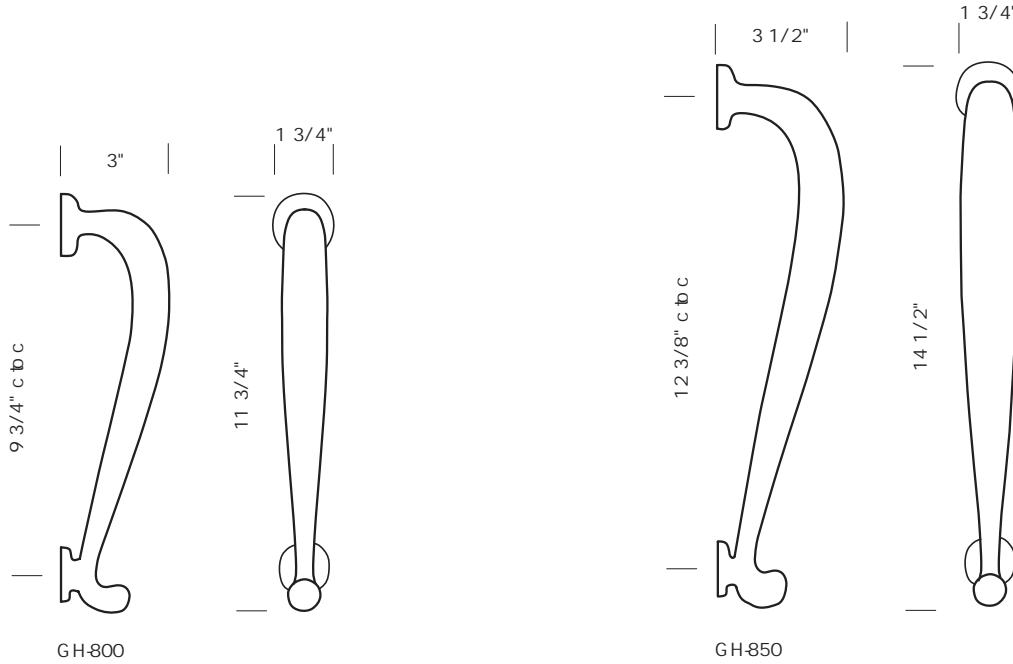
Optional back to back mounting.
 (GH-700 shown).

PROPRIETARY AND CONFIDENTIAL: The information contained in this drawing is the sole property of Sun Valley Bronze. Any reproduction in part or as a whole without the written permission of Sun Valley Bronze is prohibited.

Revised 11/04/10



Illustrations are for demonstration purposes only.



Grip handles.

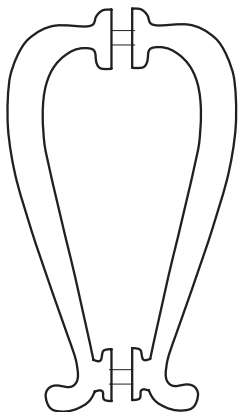
GH-800 Grip handle pull. 9 3/4" center to center.

GH-850 Grip handle pull. 12 3/8" center to center.

Thru bolts provided. Please specify thickness.

All grip handles can be mounted back to back.

Please provide door thickness when mounting back to back. See price book for upcharge.



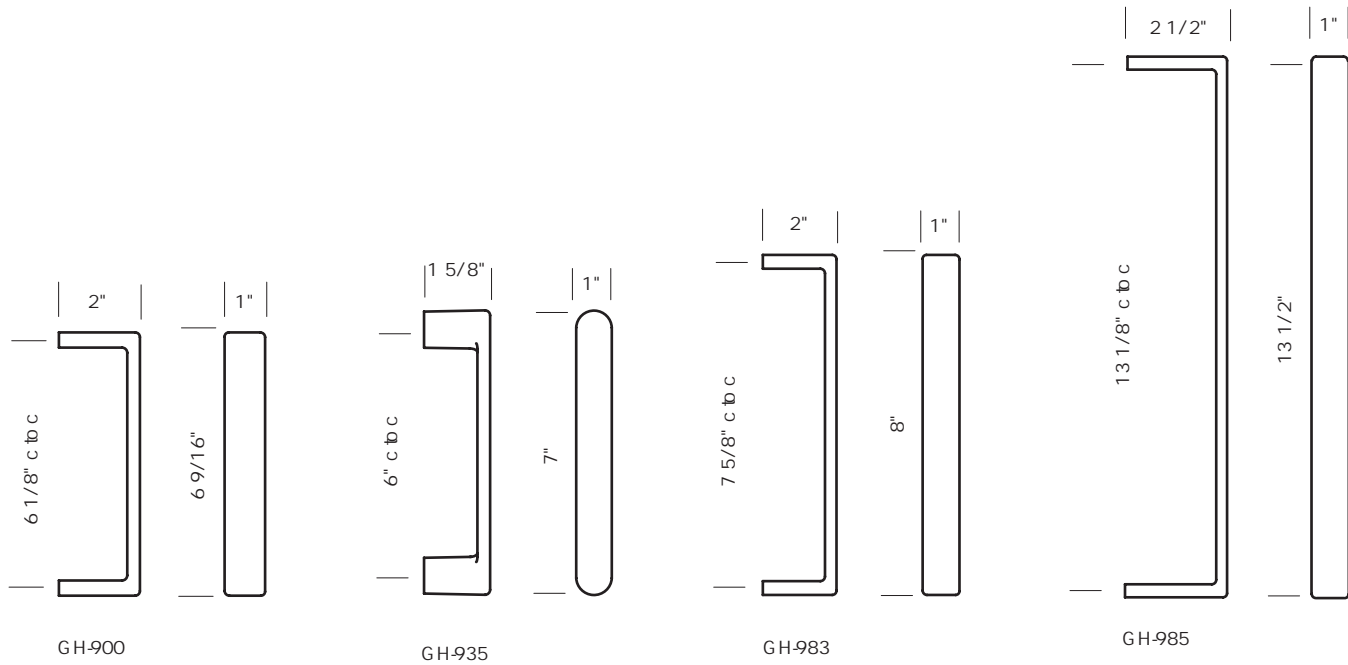
Optional back to back mounting.
(GH-800 shown).

PROPRIETARY AND CONFIDENTIAL: The information contained in this drawing is the sole property of Sun Valley Bronze. Any reproduction in part or as a whole without the written permission of Sun Valley Bronze is prohibited.

Revised 11/04/10



Illustrations are for demonstration purposes only.



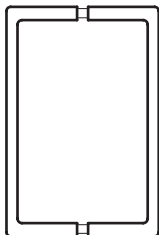
Grip handles.

- GH-900 Grip handle. 6 1/8" center to center.
- GH-935 Grip handle. 6" center to center.
- GH-983 Grip handle. 7 5/8" center to center.
- GH-984 Grip handle. 7 7/8" center to center. (Not shown).
- GH-985 Grip handle. 13 1/8" center to center.

Thru bolts provided. Please specify thickness.

All grip handles can be mounted back to back.

Please provide door thickness when mounting back to back. See price book for upcharge.



Optional back to back mounting.
(GH-900 shown).

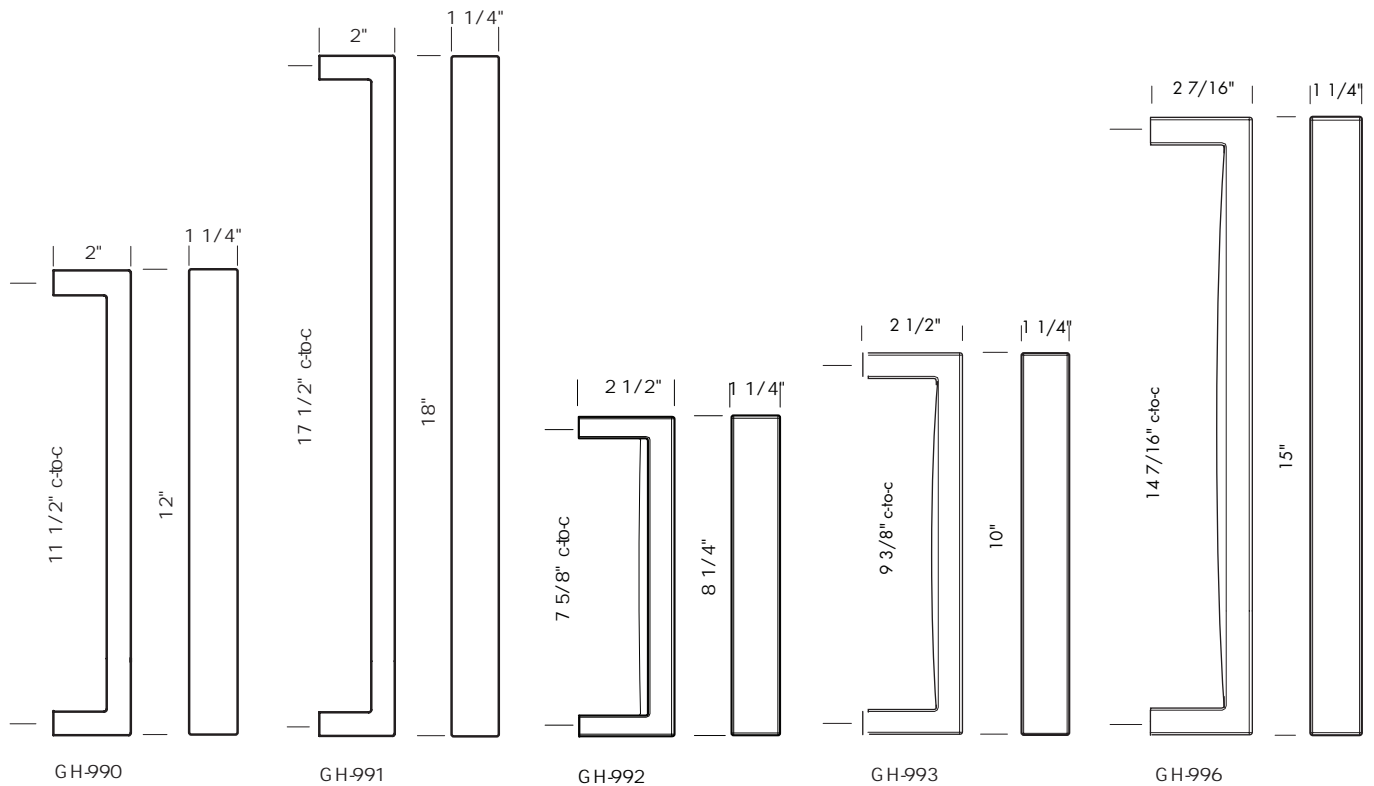
SUN VALLEY BRONZE

PROPRIETARY AND CONFIDENTIAL: The information contained in this drawing is the sole property of Sun Valley Bronze. Any reproduction in part or as a whole without the written permission of Sun Valley Bronze is prohibited.

Revised 11/04/10



Illustrations are for demonstration purposes only.



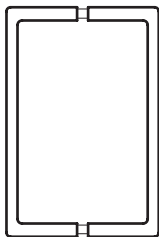
Grip handles.

- GH-990 12" Grip handle. 11 1/2" center to center.
- GH-991 18" Grip handle. 17 1/2" center to center.
- GH-992 8 1/4" Grip handle. 7 5/8" center to center. Back of grip is slightly rounded.
- GH-993 10" Grip handle. 9 3/8" center to center. Back of grip is slightly rounded.
- GH-996 15" Grip handle. 14 7/16" center to center. Back of grip is slightly rounded.

Thru bolts provided. Please specify thickness.

All grip handles can be mounted back to back.

Please provide door thickness when mounting back to back. See price book for upcharge.



Optional back to back mounting.
(GH-900 shown).

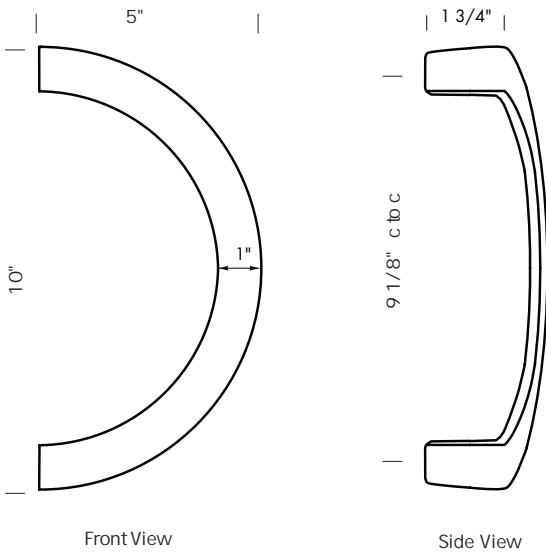
PROPRIETARY AND CONFIDENTIAL: The information contained in this drawing is the sole property of Sun Valley Bronze. Any reproduction in part or as a whole without the written permission of Sun Valley Bronze is prohibited.

Revised 11/04/10



HALF ROUND GRIP HANDLE

Illustrations are for demonstration purposes only.



GH-R10

Grip handles.

GH-R10 Half round grip handle. 9 1/8" center to center.

Thru bolts provided. Please provide thickness.

All grip handles can be mounted back to back.

Please provide door thickness when mounting back to back. See price book for upcharge.

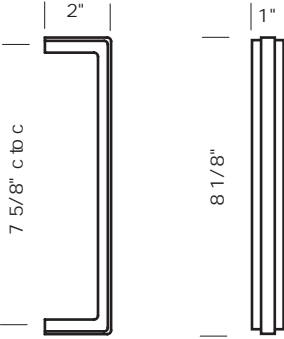
SUN VALLEY BRONZE

PROPRIETARY AND CONFIDENTIAL: The information contained in this drawing is the sole property of Sun Valley Bronze. Any reproduction in part or as a whole without the written permission of Sun Valley Bronze is prohibited.

Revised 11/04/10



Illustrations are for demonstration purposes only.



GH-961

Grip handles.

GH-961 Grip handle. 7 5/8" center to center.

Thru bolts provided. Please specify thickness.
All grip handles can be mounted back to back.
Please provide door thickness when mounting back to back. See price book for upcharge.



Optional back to back mounting.

PROPRIETARY AND CONFIDENTIAL: The information contained in this drawing is the sole property of Sun Valley Bronze. Any reproduction in part or as a whole without the written permission of Sun Valley Bronze is prohibited.

Revised 11/04/10

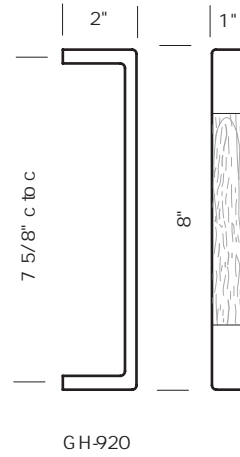
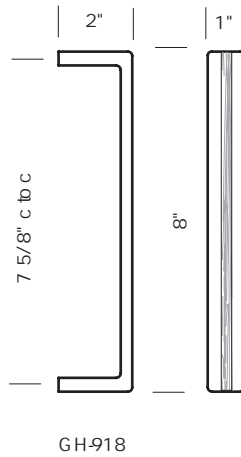
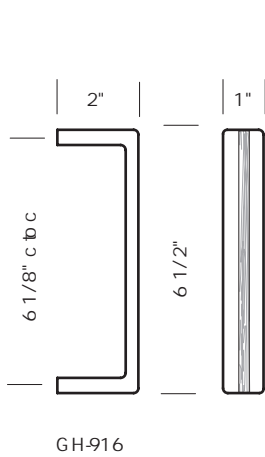
SUN VALLEY BRONZE



WOOD INLAY GRIP HANDLES

Illustrations are for demonstration purposes only.

Note: Inlay is available in W1 and S1 finishes only.



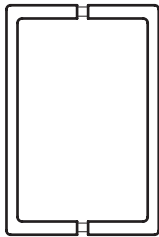
Grip handles.

- GH-916 Grip handle with wood inlay. 6 1/8" center to center.
- GH-918 Grip handle with wood inlay. 7 5/8" center to center.
- GH-920 Grip handle with wood inlay. 7 5/8" center to center.

Thru bolts provided. Please specify thickness.

All grip handles can be mounted back to back.

Please provide door thickness when mounting back to back. See price book for upcharge.



Optional back to back mounting.

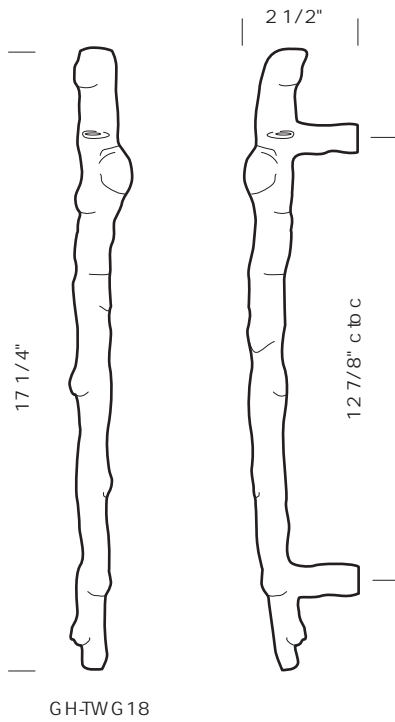
SUN VALLEY BRONZE

PROPRIETARY AND CONFIDENTIAL: The information contained in this drawing is the sole property of Sun Valley Bronze. Any reproduction in part or as a whole without the written permission of Sun Valley Bronze is prohibited.

Revised 11/04/10



Illustrations are for demonstration purposes only.



Twig grip handles.

GH-TWG18 17 1/4" Twig grip. 12 7/8" center to center. (Shown).

All grip handles can be mounted back to back.

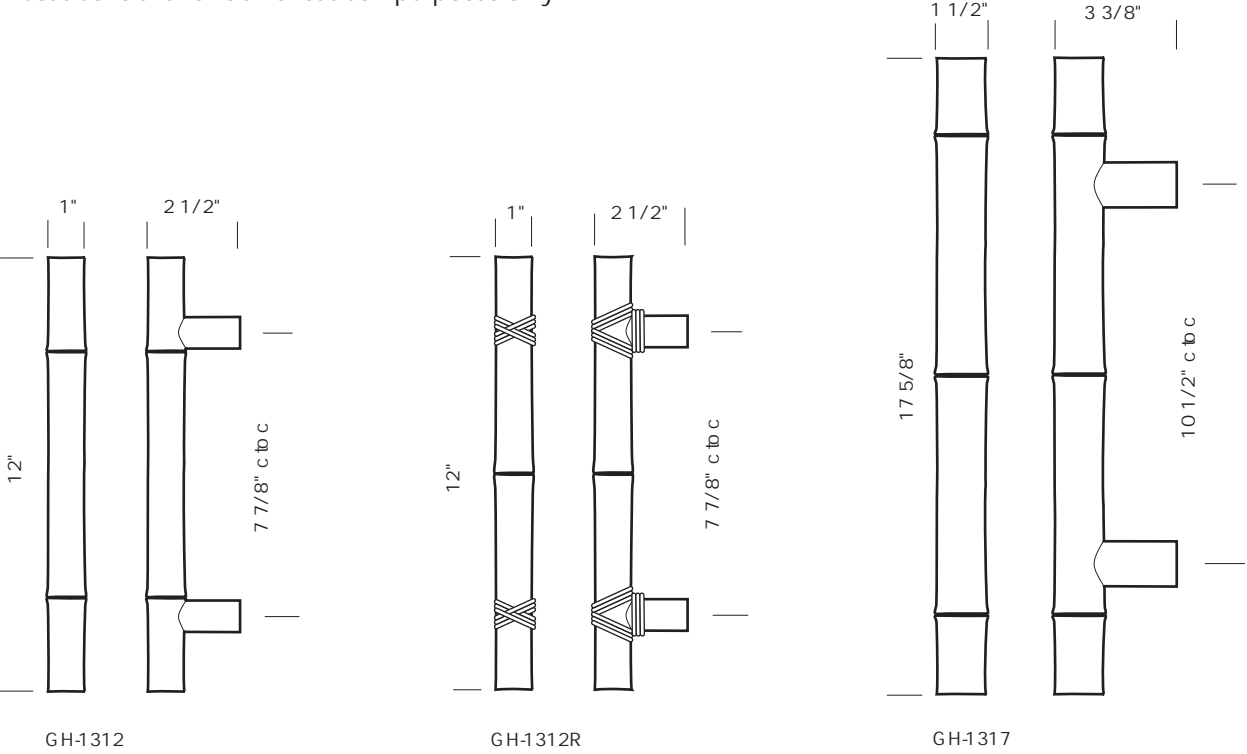
Please provide door thickness when mounting back to back. See price book for upcharge.

PROPRIETARY AND CONFIDENTIAL: The information contained in this drawing is the sole property of Sun Valley Bronze. Any reproduction in part or as a whole without the written permission of Sun Valley Bronze is prohibited.

Revised 11/04/10



Illustrations are for demonstration purposes only.



Bamboo grip handles.

- GH-1312 12" Bamboo grip. 7 7/8" center to center. (Shown).
- GH-1312R 12" Bamboo grip with rope detail. 7 7/8" center to center. (Shown).
- GH-1317 17 5/8" Bamboo grip. 10 1/2" center to center. (Shown).
- GH-1325 25" Bamboo grip. 15" center to center.
- GH-1326R 25 3/4" Bamboo grip with rope detail. 16 7/16" center to center.

All grip handles can be mounted back to back.
 Please provide door thickness when mounting back to back. See price book for upcharge.

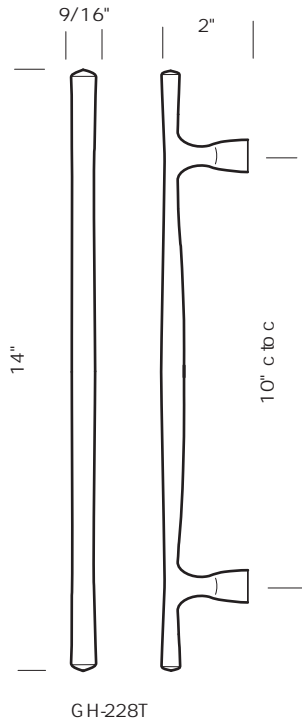
PROPRIETARY AND CONFIDENTIAL: The information contained in this drawing is the sole property of Sun Valley Bronze. Any reproduction in part or as a whole without the written permission of Sun Valley Bronze is prohibited.

Revised 11/04/10



SUN VALLEY BRONZE

Illustrations are for demonstration purposes only.



T grip handles.

GH-228T 14" T grip handle. 10" center to center.

All grip handles can be mounted back to back.
Please provide door thickness when mounting back to back. See price book for upcharge.

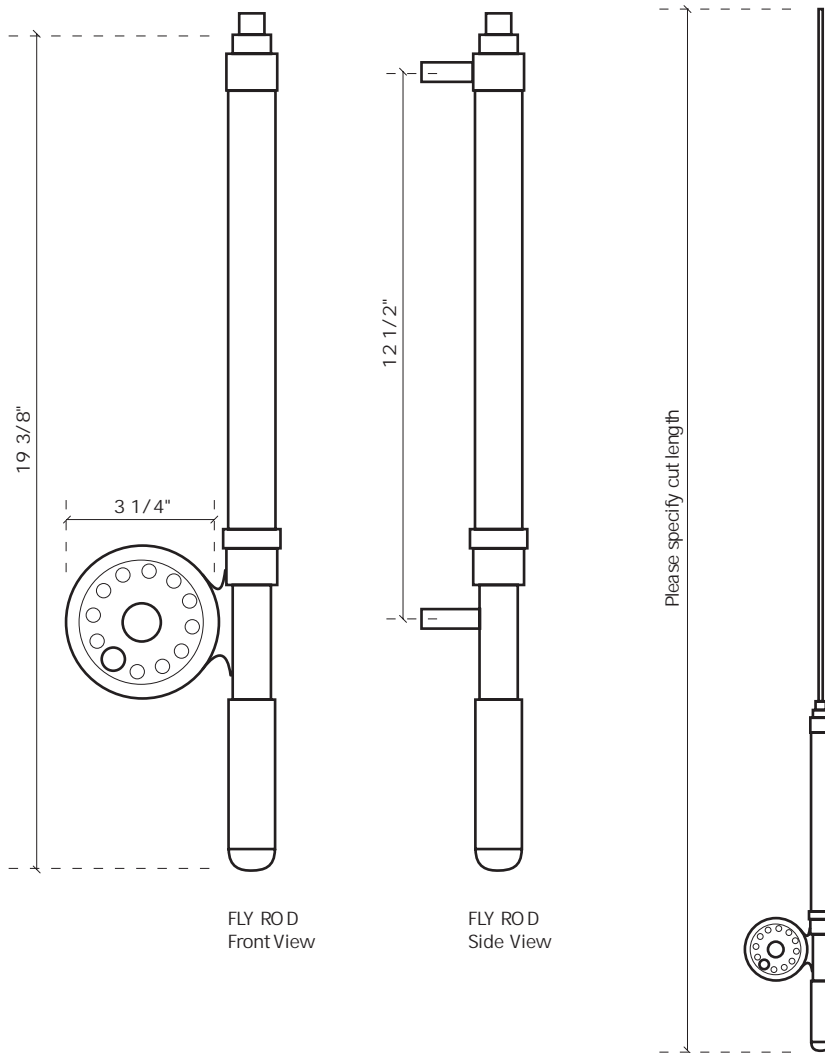
SUN VALLEY BRONZE

PROPRIETARY AND CONFIDENTIAL: The information contained in this drawing is the sole property of Sun Valley Bronze. Any reproduction in part or as a whole without the written permission of Sun Valley Bronze is prohibited. Revised 11/04/10



Illustrations are for demonstration purposes only.

Note: Dimensions may vary due to the nature of sand casting.



Fly rod grip handles.

G H-FLYROD-RH Fly Rod grip handle. $12 \frac{1}{2}$ " center to center. Right hand.

G H-FLYROD-LH Fly Rod grip handle. $12 \frac{1}{2}$ " center to center. Left hand.

Please specify cut length.

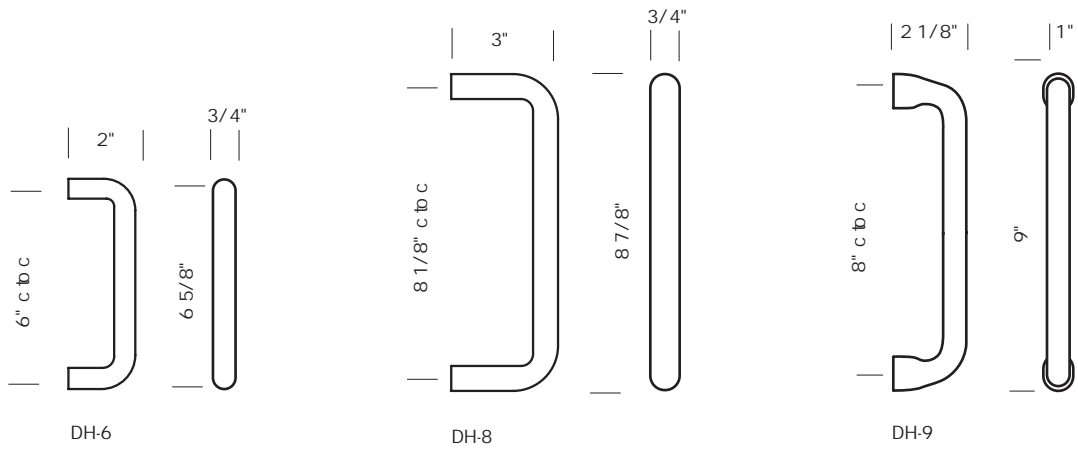
Always specify handing.

PROPRIETARY AND CONFIDENTIAL: The information contained in this drawing is the sole property of Sun Valley Bronze. Any reproduction in part or as a whole without the written permission of Sun Valley Bronze is prohibited.

Revised 11/04/10



Illustrations are for demonstration purposes only.



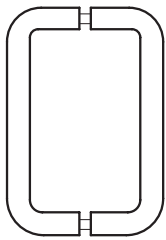
D handles.

- DH-6 D Handle. 6" center to center.
- DH-8 D Handle. 8 1/8" center to center.
- DH-9 Grip Handle. 8" center to center.

Thru bolts provided. Please specify thickness.

All D-handles can be mounted back to back.

Please provide door thickness when mounting back to back. See pricebook for upcharge.



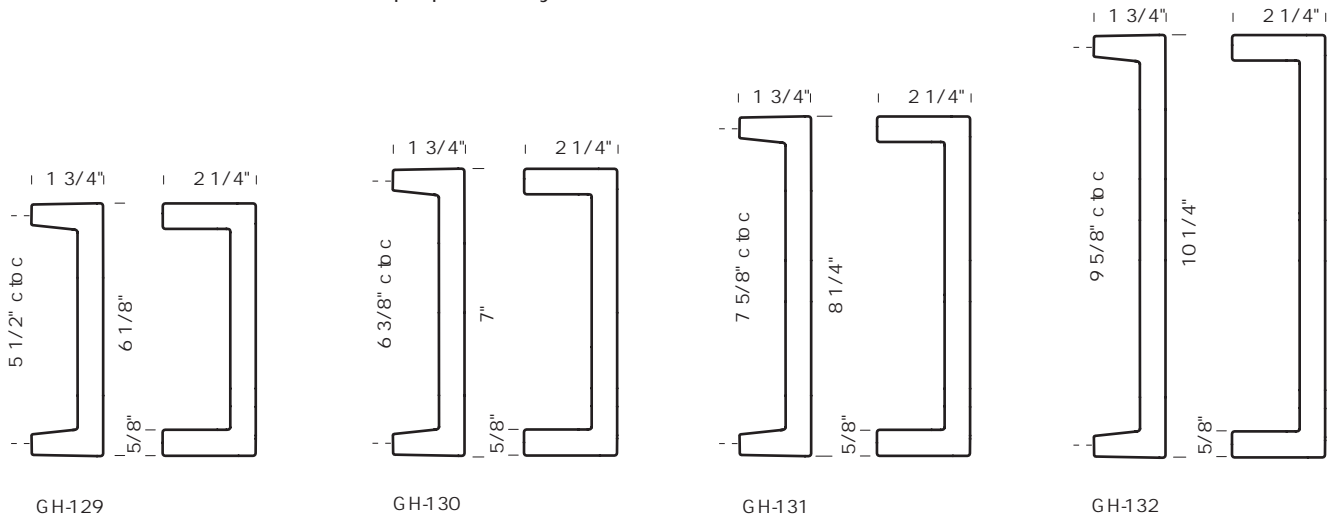
Optional back to back mounting.
(DH-6 shown).

PROPRIETARY AND CONFIDENTIAL: The information contained in this drawing is the sole property of Sun Valley Bronze. Any reproduction in part or as a whole without the written permission of Sun Valley Bronze is prohibited.

Revised 11/04/10



Illustrations are for demonstration purposes only.



Offset handles.

- GH-129 Offset handle. 6 1/8" center to center.
- GH-130 Offset handle. 6 3/8" center to center.
- GH-131 Offset handle. 7 5/8" center to center.
- GH-132 Offset handle. 9 5/8" center to center.

Thru bolts provided. Please specify thickness.

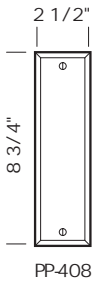
Please provide door thickness when mounting back to back. See pricebook for upcharge.

PROPRIETARY AND CONFIDENTIAL: The information contained in this drawing is the sole property of Sun Valley Bronze. Any reproduction in part or as a whole without the written permission of Sun Valley Bronze is prohibited.

Revised 11/04/10

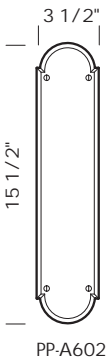


Illustrations are for demonstration purposes only.



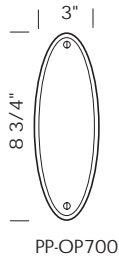
Beveled push plates.

PP-404	Push plate. 2 1/2" x 4 1/2"	PP-602	Push plate. 3 1/2" x 13"
PP-406	Push plate. 2 1/2" x 6"	PP-700	Push plate. 2 1/2" x 18"
PP-408	Push plate. 2 1/2" x 8 3/4" (Shown)	PP-701	Push plate. 3" x 18"
PP-409	Push plate. 2 1/2" x 10"	PP-702	Push plate. 3 1/2" x 18"
PP-410	Push plate. 3" x 10"	PP-801	Push plate. 3" x 20"
PP-601	Push plate. 3" x 13"	PP-802	Push plate. 3 1/2" x 20"



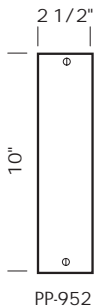
Arch push plates.

PP-A 404	Push plate. 2 1/2" x 5 3/4"	PP-A700	Push plate. 2 1/2" x 19"
PP-A 406	Push plate. 2 1/2" x 7 1/2"	PP-A701	Push plate. 3" x 19 1/2"
PP-A 408	Push plate. 2 1/2" x 9 1/4"	PP-A702	Push plate. 3 1/2" x 19 1/2"
PP-A 409	Push plate. 2 1/2" x 11"	PP-A801	Push plate. 3" x 21"
PP-A 410	Push plate. 3" x 11 1/2"	PP-A802	Push plate. 3 1/2" x 21"
PP-A601	Push plate. 3" x 14 1/2"		
PP-A 602	Push plate. 3 1/2" x 15 1/2" (Shown)		



Oval push plates.

PP-OP500	Push plate. 2 3/4" x 5 1/4"
PP-OP600	Push plate. 3" x 7 1/4"
PP-OP700	Push plate. 3" x 8 3/4" (Shown)



Contemporary push plates.

PP-900	Push plate. 2" x 16"	PP-949	Push plate. 2" x 6"
PP-901	Push plate. 2 1/2" x 16"	PP-950	Push plate. 2" x 8 3/4"
PP-902	Push plate. 3" x 16"	PP-951	Push plate. 2" x 10"
PP-910	Push plate. 2" x 18"	PP-952	Push plate. 2 1/2" x 10" (Shown)
PP-911	Push plate. 2 1/2" x 18"	PP-953	Push plate. 2 1/2" x 8 3/4"
PP-912	Push plate. 3" x 18"	PP-954	Push plate. 2 1/2" x 6"

PROPRIETARY AND CONFIDENTIAL: The information contained in this drawing is the sole property of Sun Valley Bronze. Any reproduction in part or as a whole without the written permission of Sun Valley Bronze is prohibited.

Revised 11/04/10

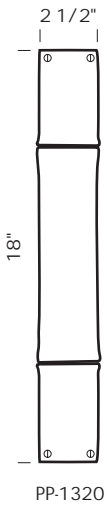


Illustrations are for demonstration purposes only.



Deco push plates.

PP-4632 Push plate. 2" x 13 1/2" (Shown)



Bamboo push plates.

PP-1320 Push plate. 2 1/2" x 18" (Shown)

PROPRIETARY AND CONFIDENTIAL: The information contained in this drawing is the sole property of Sun Valley Bronze. Any reproduction in part or as a whole without the written permission of Sun Valley Bronze is prohibited.

Revised 11/04/10

