

CONTENTS

This section contains Complete Pocket Door Sets, Flush Pulls, and Bi-pass Door Guides. Complete sets include bronze trim, mortise lock(s), spindle, fasteners, and installation instructions. All Complete Pocket Door Set part numbers begin with CS-FP.

TABLE OF CONTENTS:

200 Series Passage & Privacy Pocket Door Sets	Pages	14-2 – 14-3
400 Series Passage & Privacy Pocket Door Sets	Page	14-4
450 Series Passage & Privacy Pocket Door Sets	Pages	14-5
450 Exterior Pocket Door Sets	Page	14-6 – 14-7
Flush Pulls	Pages	14-8 – 14-15
Bi-pass Door Guides	Page	14-16
Edge Pulls	Page	14-17

ORDERING INSTRUCTIONS:

Complete Sets: Always provide quantity, item number, patina, door handing, and door thickness.

*Example of order for CS-FP201 IML-P Privacy Pocket Door Set.

QTY	ITEM#/LEVER#	PATINA	THICKNESS
1	CS-FP201 IML-PR	S3	1 3/4"

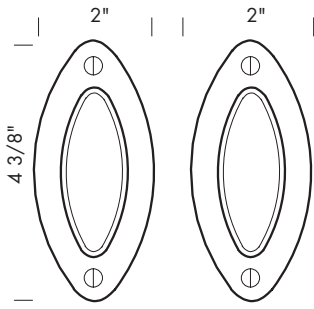
Custom Sets: See Custom Ordering Instructions in the General Information section at front of binder.

Revised 05/12/10

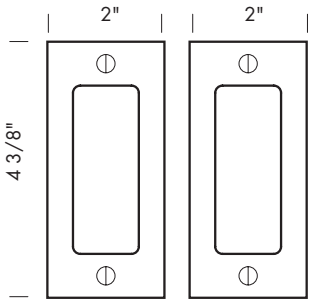


200 SERIES PASSAGE & PRIVACY POCKET DOOR SETS

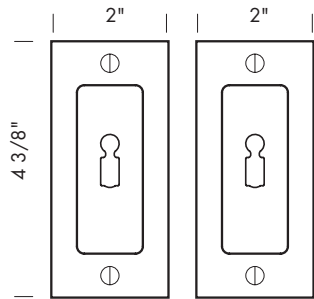
Illustrations are for demonstration purposes only.



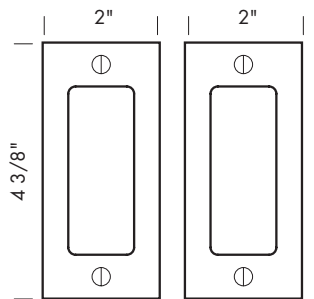
CS-FP-OP200IML Passage set. 1 3/4" minimum door thickness.
 2- 2" x 4 3/8" flush pulls #FP-OP200.
 1- Mortise edge pull.



CS-FP200IML Passage set. 1 3/4" minimum door thickness.
 2- 2" x 4 3/8" flush pulls #FP-200.
 1- Mortise edge pull.



CS-FP201IML-PR Bit key privacy set. 1 3/4" minimum door thickness.
 2- 2" x 4 3/8" flush pulls #FP-201.
 1- Flap key privacy mortise edge pull. 2 1/8" backset (54mm).
 *Depending on door thickness, flap key may need to be removed for door to recess completely into pocket.



CS-FP202IML Passage set. 1 3/4" minimum door thickness.
 2- 2" x 4 3/8" flush pulls #FP-202.
 1- Mortise edge pull.

Complete sets with mortise lock.

*Interior Mortise Lock Passage/Privacy Pocket Door Sets are NOT available for doors less than 1 3/4" thick.

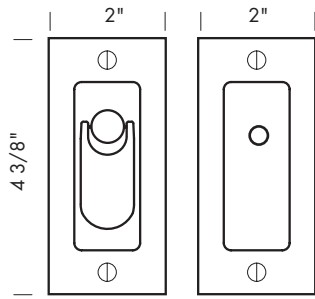
PROPRIETARY AND CONFIDENTIAL: The information contained in this drawing is the sole property of Sun Valley Bronze. Any reproduction in part or as a whole without the written permission of Sun Valley Bronze is prohibited.

Revised 05/12/10



200 SERIES PASSAGE & PRIVACY POCKET DOOR SETS

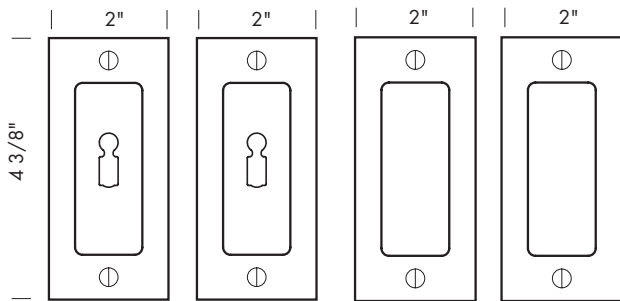
Illustrations are for demonstration purposes only.



CS-FP203IML-PR

Privacy set.

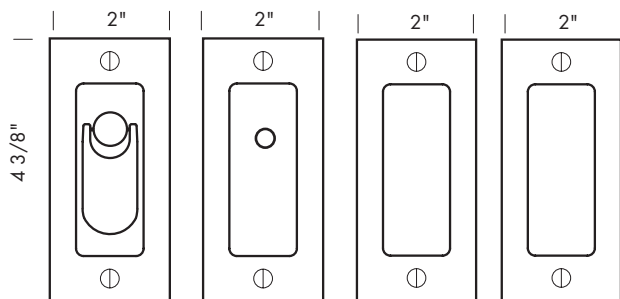
- 1 3/4" minimum door thickness.
- 1- 2" x 4 3/8" outside flush pull #FP-203-P.
- 1- 2" x 4 3/8" inside flush pull #FP-203-FTPC.
- 1- Privacy mortise edge pull.
- 2 1/8" backset (54mm).



CS-FP201IML-DBL-PR

Double pocket privacy set.

- 1 3/4" minimum door thickness.
- Bit key for bi-parting doors.
- 2- 2" x 4 3/8" flush pulls #FP-201.
- 2- 2" x 4 3/8" flush pulls #FP-202.
- 1- Flap key privacy mortise edge pull. 2 1/8" backset (54mm).
- 1- Mortise edge pull.
- Depending on door thickness, flap key may need to be removed for door to recess completely into pocket.



CS-FP203IML-DBL-PR

Double pocket privacy set.

- 1 3/4" minimum door thickness.
- For bi-parting doors.
- 1- 2" x 4 3/8" outside flush pull #FP-203-P.
- 1- 2" x 4 3/8" inside flush pull #FP-203-FTPC.
- 2- 2" x 4 3/8" flush pulls #FP-202.
- 1- Privacy mortise edge pull.
- 2 1/8" backset (54mm).
- 1- Mortise edge pull.

Complete sets with mortise lock.

***Interior Mortise Lock Passage/Privacy Pocket Door Sets are NOT available for doors less than 1 3/4" thick.**

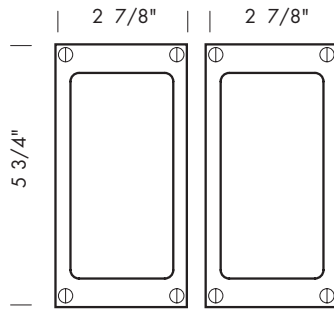
PROPRIETARY AND CONFIDENTIAL: The information contained in this drawing is the sole property of Sun Valley Bronze. Any reproduction in part or as a whole without the written permission of Sun Valley Bronze is prohibited.

Revised 05/12/10



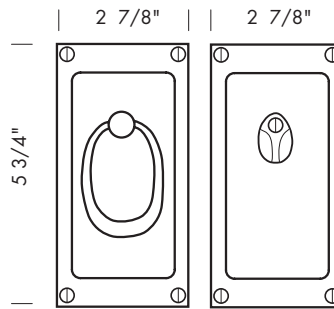
400 SERIES PASSAGE & PRIVACY POCKET DOOR SETS

Illustrations are for demonstration purposes only.



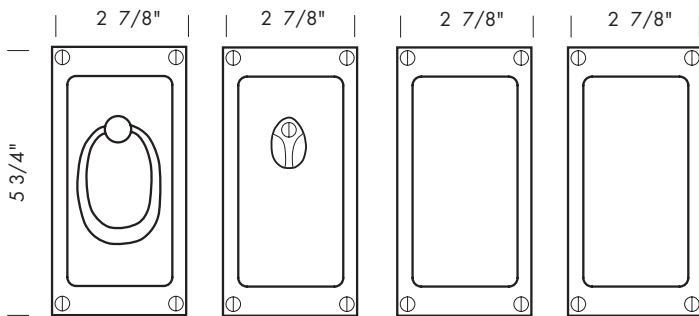
CS-FP400IML

Passage set. 1 3/4" minimum door thickness.
2- 2 7/8" x 5 3/4" flush pulls #FP-400.
1- Mortise edge pull.



CS-FP401IML-PR

Privacy set. 1 3/4" minimum door thickness.
1- 2 7/8" x 5 3/4" flush pulls #FP-401-ERC.
1- 2 7/8" x 5 3/4" flush pulls #FP-401-FR.
1- Privacy mortise edge pull. 2 1/8" backset (54mm).



CS-FP401IML-DBL-PR

Double pocket privacy set. For Bi-parting Doors.
1- 2 7/8" x 5 3/4" outside flush pull #FP-401-ERC.
1- 2 7/8" x 5 3/4" inside flush pull #FP-401-FR.
2- 2 7/8" x 5 3/4" flush pulls #FP-400.
1- Privacy mortise edge pull. 2 1/8" backset (54mm).
1- Mortise edge pull.

Complete sets with mortise lock.

***Interior Mortise Lock Passage/Privacy Pocket Door Sets are NOT available for doors less than 1 3/4" thick.**

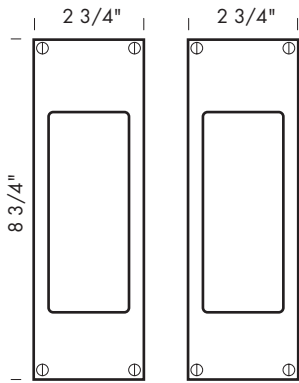
PROPRIETARY AND CONFIDENTIAL: The information contained in this drawing is the sole property of Sun Valley Bronze. Any reproduction in part or as a whole without the written permission of Sun Valley Bronze is prohibited.

Revised 05/12/10



450 SERIES PASSAGE & PRIVACY POCKET DOOR SETS

Illustrations are for demonstration purposes only.

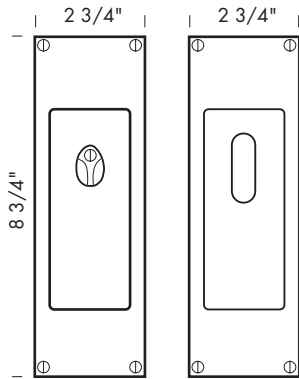


CS-FP450IML

2 3/4" x 8 3/4" Passage pocket door set. Passage function.
With mortise edge pull.

TS-FP450IML

2 3/4" x 8 3/4" Passage pocket door set. Passage function.
Trim only.



CS-FP450IML-PR

2 3/4" x 8 3/4" Privacy pocket door set. Privacy function.
With mortise lock edge pull & strike.

TS-FP450IML-PR

3/4" x 8 3/4" Privacy pocket door set. Privacy function.
Trim only.

Complete sets with mortise lock.

***450 Series Pocket Door Sets are NOT available for doors less than 1 3/4" thick.**

SUN VALLEY BRONZE

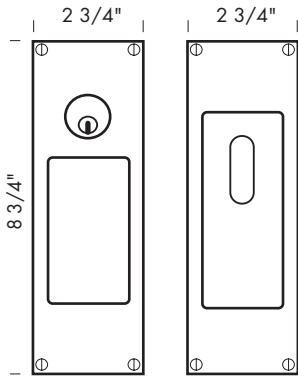
PROPRIETARY AND CONFIDENTIAL: The information contained in this drawing is the sole property of Sun Valley Bronze. Any reproduction in part or as a whole without the written permission of Sun Valley Bronze is prohibited.

Revised 05/12/10



450 SERIES EXTERIOR POCKET DOOR SETS

Illustrations are for demonstration purposes only.

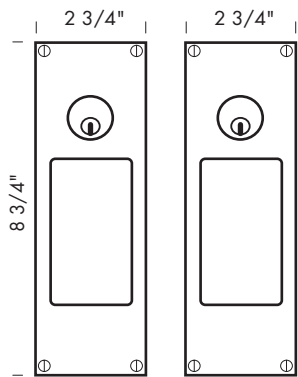


CS-FP450ML

2 3/4" x 8 3/4" Locking pocket door set. Single cylinder. With mortise lock edge pull, cylinder & strike.

TS-FP450ML

2 3/4" x 8 3/4" Locking pocket door set. Single cylinder. Trim only.

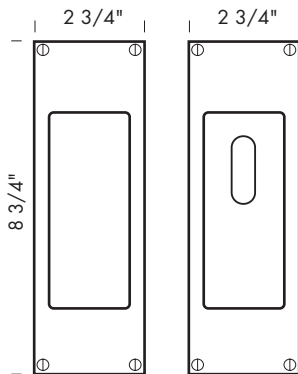


CS-FP450ML-DC

2 3/4" x 8 3/4" Locking pocket door set. Double cylinder. With mortise lock edge pull, cylinders & strike.

TS-FP450ML-DC

2 3/4" x 8 3/4" Locking pocket door set. Double cylinder. Trim only.



CS-FP450ML-PF

2 3/4" x 8 3/4" Locking pocket door set. Patio function. With mortise lock edge pull & strike.

TS-FP450ML-PF

2 3/4" x 8 3/4" Locking pocket door set. Patio function. Trim only.

Complete sets with mortise lock.

***450 Series Pocket Door Sets are NOT available for doors less than 1 3/4" thick.**

PROPRIETARY AND CONFIDENTIAL: The information contained in this drawing is the sole property of Sun Valley Bronze. Any reproduction in part or as a whole without the written permission of Sun Valley Bronze is prohibited.

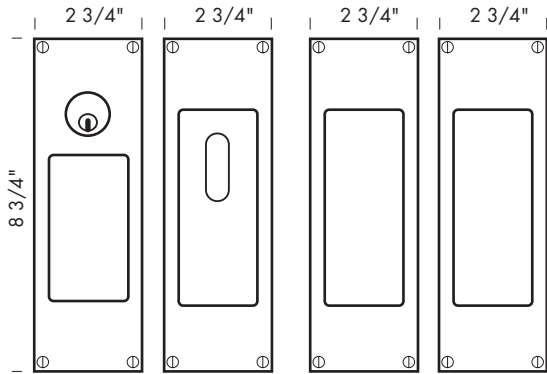
Revised 05/12/10

SUN VALLEY BRONZE



450 SERIES EXTERIOR POCKET DOOR SETS

Illustrations are for demonstration purposes only.

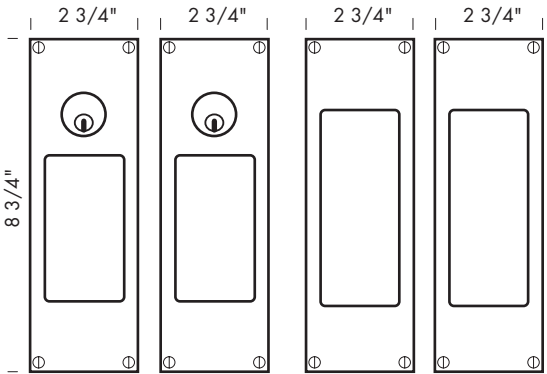


CS-FP450ML-DBL

2 3/4" x 8 3/4" Locking pocket door set.
Single cylinder for double doors.
With mortise lock edge pull, cylinder &
combination edge pull/strike.
**All hardware necessary for double door
configurations.**

TS-450ML-DBL

2 3/4" x 8 3/4" Locking Pocket Door Set.
Single Cylinder for Double Doors.
Trim only.

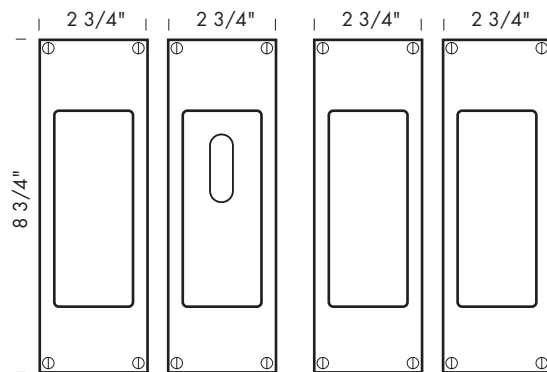


CS-FP450ML-DBL-DC

2 3/4" x 8 3/4" Locking pocket door set.
Double cylinder for double doors.
With mortise lock edge pull, cylinders &
combination edge pull/strike.
**All hardware necessary for double door
configurations.**

TS-FP450ML-DBL-DC

2 3/4" x 8 3/4" Locking pocket door set.
Double cylinder for double doors.
Trim only.



CS-FP-450ML-DBL-PF

2 3/4" x 8 3/4" Locking pocket door set.
Patio function for double doors.
With mortise lock edge pull &
combination edge pull/strike.
**All hardware necessary for double door
configurations.**

TS-FP450ML-DBL-PF

2 3/4" x 8 3/4" Locking pocket door set.
Patio function for double doors.
Trim only.

Complete sets with mortise lock.

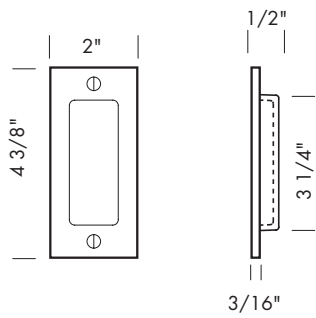
***450 Series Pocket Door Sets are NOT available for doors less than 1 3/4" thick.**

PROPRIETARY AND CONFIDENTIAL: The information contained in this drawing is the sole property of Sun Valley Bronze. Any reproduction in part or as a whole without the written permission of Sun Valley Bronze is prohibited.

Revised 05/12/10

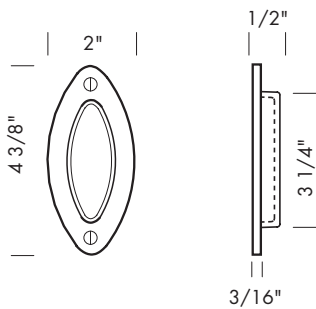


Illustrations are for demonstration purposes only.



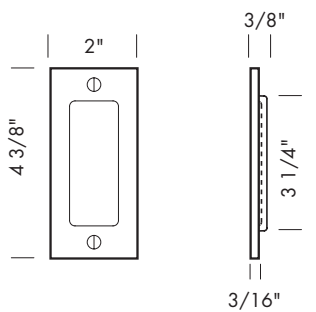
FP-200

Flush pull. 2" x 4 3/8" x 1/2" thick.
1/4" Interior depth.



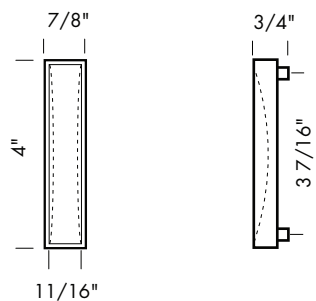
FP-OP200

Flush pull. 2" x 4 3/8" x 1/2" thick.
1/4" Interior depth.



FP-202

Flush pull. 2" x 4 3/8" x 3/8" thick.
3/16" Interior depth.



FP-206

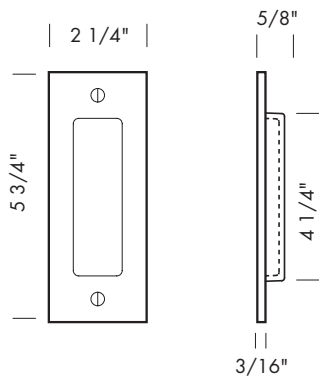
Flush pull. 7/8" x 4" x 1/2" thick.
5/16" Interior depth.

PROPRIETARY AND CONFIDENTIAL: The information contained in this drawing is the sole property of Sun Valley Bronze. Any reproduction in part or as a whole without the written permission of Sun Valley Bronze is prohibited.

Revised 05/12/10

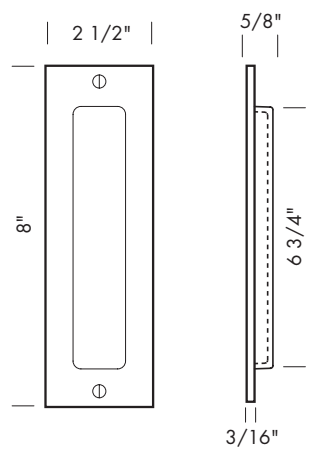


Illustrations are for demonstration purposes only.



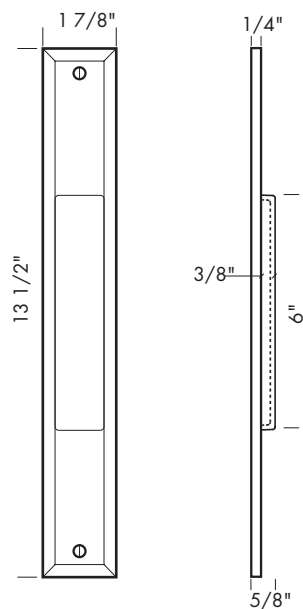
FP-300

Flush pull. 2 1/4" x 5 3/4" x 5/8" thick.
7/16" Interior depth.



FP-304

Flush pull. 2 1/2" x 8" x 5/8" thick.
7/16" Interior depth.



FP-308

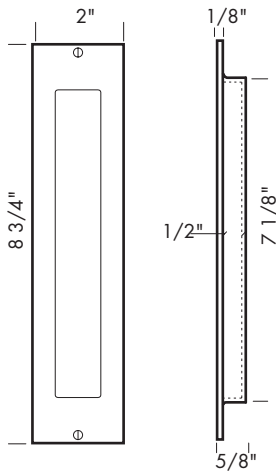
Surface mount flush pull. 1 7/8" x 13 1/2" x 5/8" thick.
3/8" Interior depth.

PROPRIETARY AND CONFIDENTIAL: The information contained in this drawing is the sole property of Sun Valley Bronze. Any reproduction in part or as a whole without the written permission of Sun Valley Bronze is prohibited.

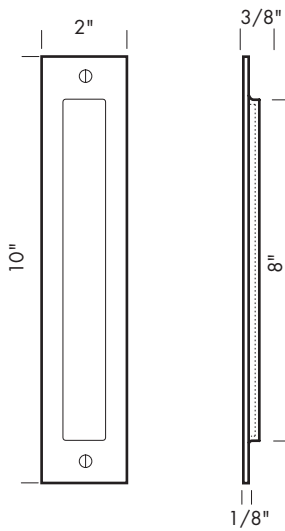
Revised 05/12/10



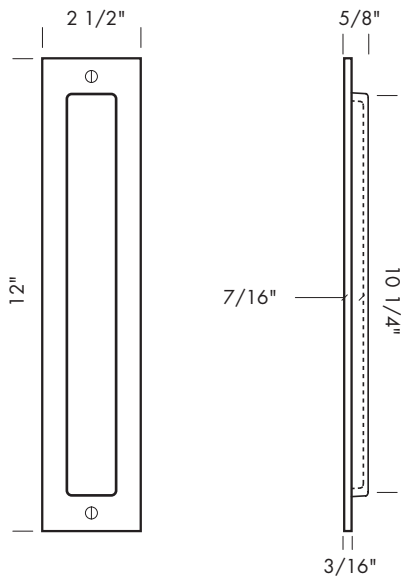
Illustrations are for demonstration purposes only.



FP-309 Surface mount flush pull. 2" x 8 3/4" x 5/8" thick. 1/2" Interior depth.



FP-310 Flush pull. 2" x 10" x 3/8" thick. 1/4" Interior depth.



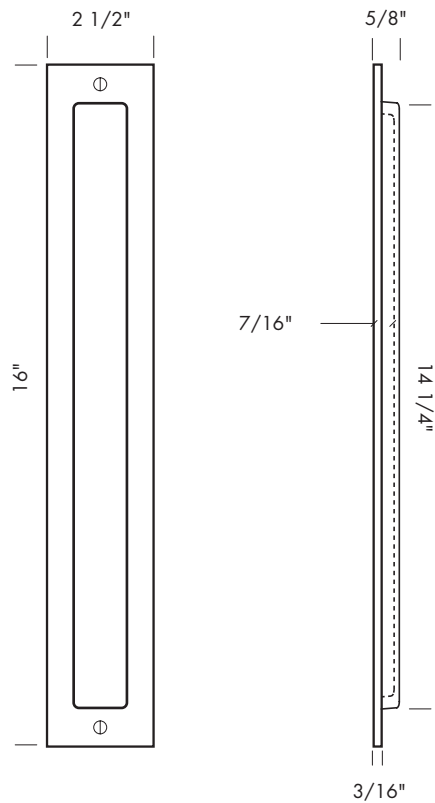
FP-312 Flush pull. 2 1/2" x 12" x 5/8" thick. 7/16" Interior depth.

PROPRIETARY AND CONFIDENTIAL: The information contained in this drawing is the sole property of Sun Valley Bronze. Any reproduction in part or as a whole without the written permission of Sun Valley Bronze is prohibited.

Revised 05/12/10



Illustrations are for demonstration purposes only.



FP-316

Flush pull. 2 1/2" x 16" x 5/8" thick.
7/16" Interior depth.

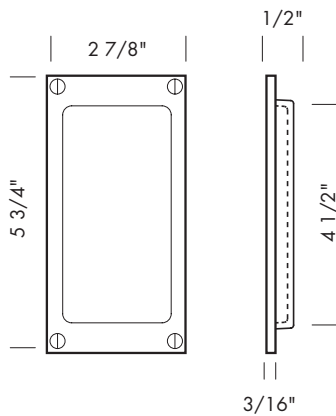
SUN VALLEY BRONZE

PROPRIETARY AND CONFIDENTIAL: The information contained in this drawing is the sole property of Sun Valley Bronze. Any reproduction in part or as a whole without the written permission of Sun Valley Bronze is prohibited.

Revised 05/12/10

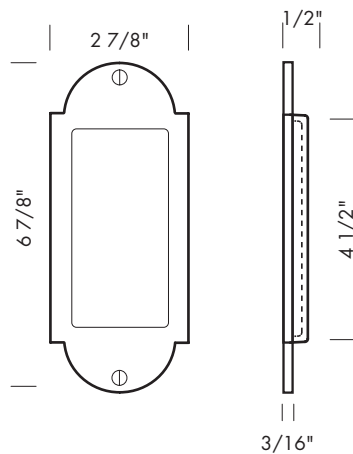


Illustrations are for demonstration purposes only.



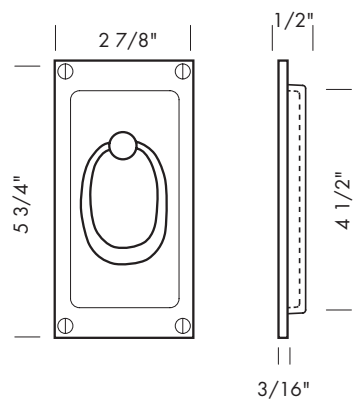
FP-400

Flush pull. 2 7/8" x 5 3/4" x 1/2" thick.
1/4" Interior depth.



FP-A400

Flush pull. 2 7/8" x 6 7/8" x 1/2" thick.
1/4" Interior depth.



FP-401FR

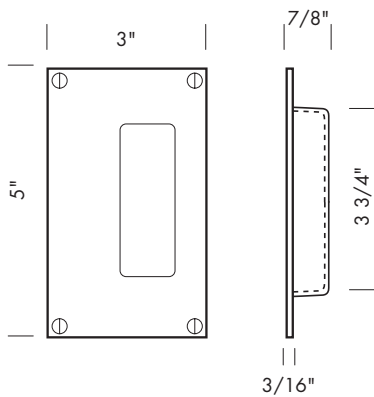
Flush pull with flap ring. 2 7/8" x 5 3/4" x 1/2" thick.
1/4" Interior depth.

PROPRIETARY AND CONFIDENTIAL: The information contained in this drawing is the sole property of Sun Valley Bronze. Any reproduction in part or as a whole without the written permission of Sun Valley Bronze is prohibited.

Revised 05/12/10

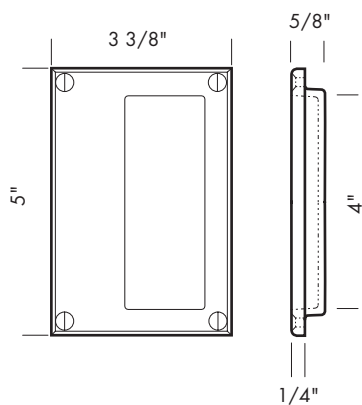


Illustrations are for demonstration purposes only.



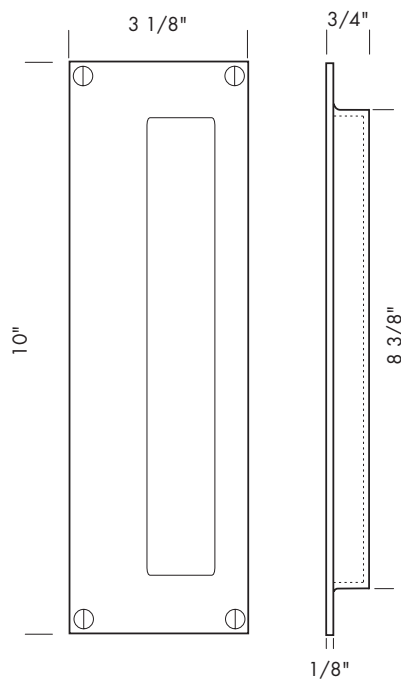
FP-500

Flush cup pull. 3" x 5" x 7/8" thick.
5/8" Interior depth.



FP-505

Surface mount flush cup pull w/rolled edge.
3 3/8" x 5" x 5/8" thick. 7/16" Interior depth.



FP-510

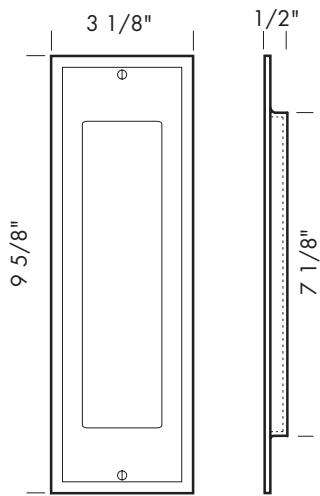
Surface mount flush cup pull.
3 1/8" x 10" x 3/4" thick. 1/2" Interior depth.

PROPRIETARY AND CONFIDENTIAL: The information contained in this drawing is the sole property of Sun Valley Bronze. Any reproduction in part or as a whole without the written permission of Sun Valley Bronze is prohibited.

Revised 05/12/10



Illustrations are for demonstration purposes only.



FP-1513 Flush cup pull. 3 1/8" x 9 5/8" x 1/2" thick.
3/8" Interior depth.

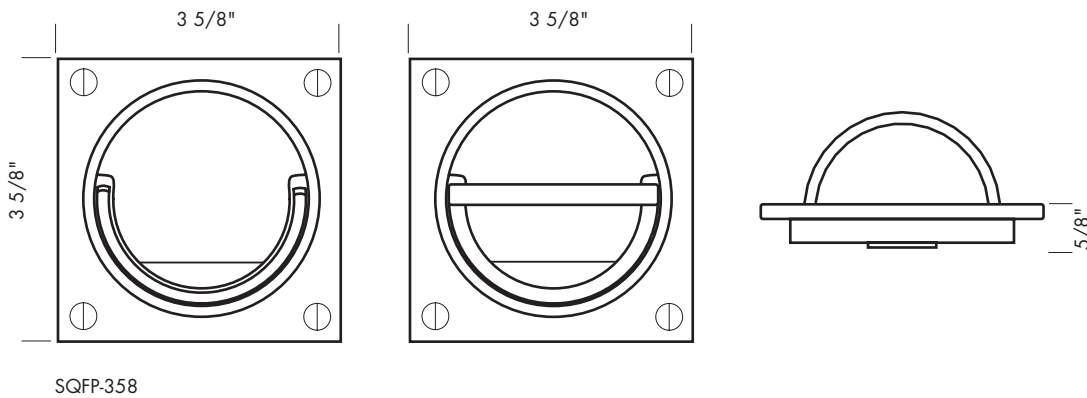
SUN VALLEY BRONZE

PROPRIETARY AND CONFIDENTIAL: The information contained in this drawing is the sole property of Sun Valley Bronze. Any reproduction in part or as a whole without the written permission of Sun Valley Bronze is prohibited.

Revised 05/12/10



Illustrations are for demonstration purposes only.



SQFP-358

Flush pulls.

SQFP-358 Flush pull. 3 5/8" x 3 5/8" x 5/8" thick.
3/8" interior depth

Surface mount on 1 3/4" thick doors.
Can be flush mounted on 2 1/4" doors or thicker.

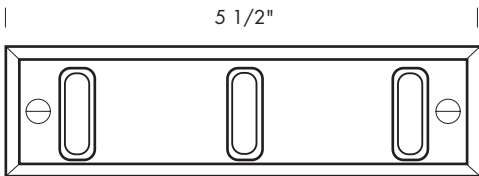
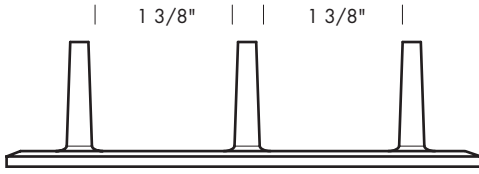
SUN VALLEY BRONZE

PROPRIETARY AND CONFIDENTIAL: The information contained in this drawing is the sole property of Sun Valley Bronze. Any reproduction in part or as a whole without the written permission of Sun Valley Bronze is prohibited.

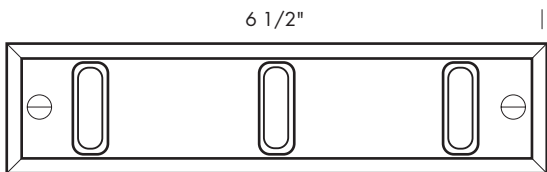
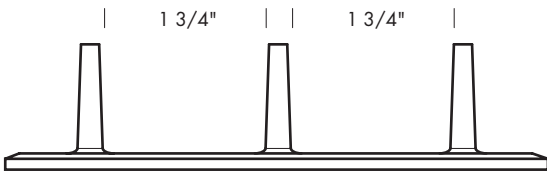
Revised 05/12/10



Illustrations are for demonstration purposes only.



BPG-138 Bi-pass door guide. 1 3/8" thick doors.



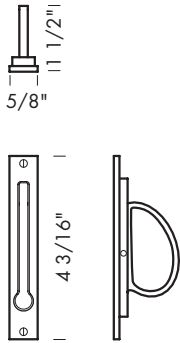
BPG-134 Bi-pass door guide. 1 3/4" thick doors.

PROPRIETARY AND CONFIDENTIAL: The information contained in this drawing is the sole property of Sun Valley Bronze. Any reproduction in part or as a whole without the written permission of Sun Valley Bronze is prohibited.

Revised 05/12/10

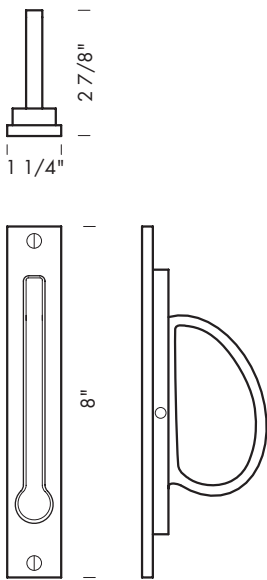


Illustrations are for demonstration purposes only.



EDG-100

Small edge pull. 1 3/4" minimum door thickness.



EDG-200

Medium edge pull. 1 3/4" minimum door thickness.

***Edge pulls are NOT available for doors less than 1 3/4" thick.**

PROPRIETARY AND CONFIDENTIAL: The information contained in this drawing is the sole property of Sun Valley Bronze. Any reproduction in part or as a whole without the written permission of Sun Valley Bronze is prohibited.

Revised 05/12/10

