

# PASSAGE LATCH/MORTISE BOLT PRIVACY SETS

SUN VALLEY BRONZE

## CONTENTS

This section contains Complete Passage Latch/Mortise Bolt Privacy Sets, Trim Only Passage Latch/Mortise Bolt Privacy Sets, Complete Auxiliary Mortise Bolt Sets, and Trim Only Auxiliary Mortise Bolt Sets. Complete Sets include bronze trim, latches, spindle, fasteners and installation instructions. All Complete Set part numbers begin with CS. Trim Only Sets include bronze trim, spindle, fasteners, and installation instructions. No latches are included. All Trim Only Passage Latch/Mortise Bolt Privacy Set part numbers begin with TS. Passage Latch/Mortise Bolt Privacy Trim Sets can be machined to be compatible with most high quality tubular latches. The latch manufacturer, model number, and function must be specified when ordering Trim Only Sets.

**Note:** Escutcheon plates under 2 1/4" wide will not cover a 2 1/8" bore.

### TABLE OF CONTENTS:

Auxiliary Mortise Bolt Sets	Pages	13-2 - 13-13
400 Series Passage Latch/Mortise Bolt Privacy Sets	Pages	13-14 - 13-25
600 Series Passage Latch/Mortise Bolt Privacy Sets	Pages	13-26 - 13-29
OP700 Series Passage Latch/Mortise Bolt Privacy Sets	Page	13-30
800 Series Passage Latch/Mortise Bolt Privacy Sets	Pages	13-31 - 13-32
900 Series Passage Latch/Mortise Bolt Privacy Sets	Pages	13-33 - 13-40
1200 Series Passage Latch/Mortise Bolt Privacy Sets	Pages	13-41 - 13-43
Ridge Collection Passage Latch/Mortise Bolt Privacy Sets	Pages	13-44 - 13-47
Banded Corrugated Collection Passage Latch/Mortise Bolt Privacy Sets	Pages	13-48 - 13-49
Hampton Collection Passage Latch/Mortise Bolt Privacy Sets	Pages	13-50 - 13-51
Trellis Collection Passage Latch/Mortise Bolt Privacy Sets	Pages	13-52 - 13-53
Deco Collection Passage Latch/Mortise Bolt Privacy Sets	Pages	13-54 - 13-55
Corrugated Collection Passage Latch/Mortise Bolt Privacy Sets	Pages	13-56 - 13-57
Bandbox Collection Passage Latch/Mortise Bolt Privacy Sets	Pages	13-58 - 13-59
Hand Peened Collection Passage Latch/Mortise Bolt Privacy Sets	Pages	13-60 - 13-61
Inlay Collection Passage Latch/Mortise Bolt Privacy Sets	Page	13-62
Circle Collection Passage Latch/Mortise Bolt Privacy Sets	Page	13-63
Square Collection Passage Latch/Mortise Bolt Privacy Sets	Page	13-64
Corduroy Collection Passage Latch/Mortise Bolt Privacy Sets	Page	13-65

### ORDERING INSTRUCTIONS:

**Complete Sets:** Always provide quantity, item number, lever/knob number, function, patina, door handing, backset and door thickness.

\* Example of order for 406 PLMB, Passage Latch/Mortise Bolt Privacy Set

QTY	ITEM#/LEVER#	FUNCTION	PATINA	HANDING	BACKSET	THICKNESS
1	CS-406PLMB/L-104	Privacy	S3	LH	2 3/8"	1 3/4"

**Note:** T-strikes are standard. Full lip strikes are available but must be specified at time of ordering. Upcharges may apply.

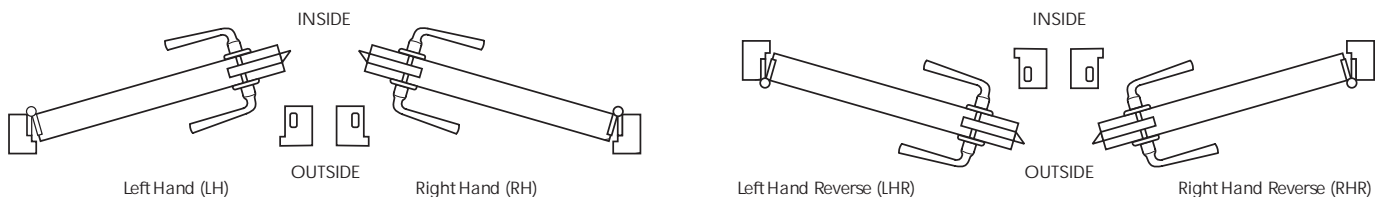
**Trim Sets:** Always provide quantity, item number, lever/knob number, lock manufacturer, model number, function, patina, handing, backset, and thickness.

\* Example of order for A 409 PLMB, Passage/Latch Mortise bolt Trim Only Privacy Set

QTY	ITEM#/LEVER#	FUNCTION	PATINA	HANDING	BACKSET	THICKNESS
1	TSA-409PLMB/K-212	Baldwin 5523 Baldwin 0414	WI	RH	2 3/4"	2 1/4"

**Custom Sets:** See Custom Ordering Instructions in the General Information section at front of binder.

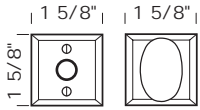
### DOOR HANDING GUIDE:



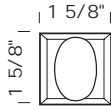
Revised 11/13/09



Illustrations are for demonstration purposes only.



CS-157/158MB  
 -Complete set with mortise bolt  
 OR  
 TS-157/158MB  
 -Trim set only. No lock.



CS-158MB  
 -Complete set with mortise bolt  
 OR  
 TS-158MB  
 -Trim set only. No lock.

## Complete sets with tubular mortise bolt.

CS-157/158MB Privacy bolt  
 1 5/8" square plate #MB-157-ERC.  
 1 5/8" square plate #MB-158-TPC.

CS-158MB Privacy bolt  
 1 5/8" square plate #MB-158-TPC.

2 3/8" or 2 3/4" backset standard. Please specify.

## Trim sets for tubular mortise bolt. No mortise bolt included.

TS-157/158MB Privacy bolt  
 1 5/8" square plate #MB-157-ERC.  
 1 5/8" square plate #MB-158-TPC.

TS-158MB Privacy bolt  
 1 5/8" square plate #MB-158-TPC.

Specify manufacturer of mortise bolt to be used.

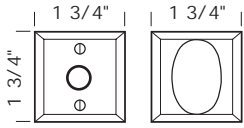
**PROPRIETARY AND CONFIDENTIAL:** The information contained in this drawing is the sole property of Sun Valley Bronze. Any reproduction in part or as a whole without the written permission of Sun Valley Bronze is prohibited.

Revised 11/13/09

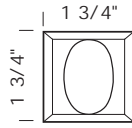


# 174-175 AUXILIARY MORTISE BOLTS

Illustrations are for demonstration purposes only.



CS-174/175MB  
-Complete set with mortise bolt  
OR  
TS-174/175MB  
-Trim set only. No lock.



CS-175MB  
-Complete set with mortise bolt  
OR  
TS-175MB  
-Trim set only. No lock.

## Complete sets with tubular mortise bolt.

CS-174/175MB Privacy bolt  
1 3/4" square plate #MB-174-ERC.  
1 3/4" square plate #MB-174-TPC.

CS-174MB Privacy bolt  
1 3/4" square plate #MB-174-TPC.

2 3/8" or 2 3/4" backset standard. Please specify.

## Trim sets for tubular mortise bolt. No mortise bolt included.

TS-174/175MB Privacy bolt  
1 3/4" square plate #MB-174-ERC.  
1 3/4" square plate #MB-174-TPC.

TS-174MB Privacy bolt  
1 3/4" square plate #MB-174-TPC.

Specify manufacturer of mortise bolt to be used.

SUN VALLEY BRONZE

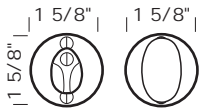
**PROPRIETARY AND CONFIDENTIAL:** The information contained in this drawing is the sole property of Sun Valley Bronze. Any reproduction in part or as a whole without the written permission of Sun Valley Bronze is prohibited.

Revised 11/13/09

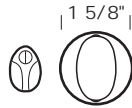


# RP1 57-RP1 58 AUXILIARY MORTISE BOLTS

Illustrations are for demonstration purposes only.



CS-RP1 57/RP1 58MB  
-Complete set with mortise bolt  
OR  
TS-RP1 57/RP1 58MB  
-Trim set only. No lock.



CS-RP1 58MB w/RC-4  
-Complete set with mortise bolt  
OR  
TS-RP1 58MB w/RC-4  
-Trim set only. No lock.

## Complete sets with tubular mortise bolt.

CS-RP1 57/RP1 58MB Privacy bolt  
1 5/8" round plate #MB-RP1 57-ERC. Available w/RC-4. Please specify.  
1 5/8" round plate #MB-RP1 58-TPC.

CS-RP1 58MB w/RC-4 Privacy bolt  
3/4" x 1" release cover #RC-4.  
1 5/8" round plate #MB-RP1 58-TPC.

2 3/8" or 2 3/4" backset standard. Please specify.

## Trim sets for tubular mortise bolt. No mortise bolt included.

TS-RP1 57/RP1 58MB Privacy bolt  
1 5/8" round plate #MB-RP1 57-ERC.  
1 5/8" round plate #MB-RP1 58-TPC.

TS-RP1 58MB w/RC-4 Privacy bolt  
3/4" x 1" release cover #RC-4.  
1 5/8" round plate #MB-RP1 58-TPC.

Specify manufacturer of mortise bolt to be used.

SUN VALLEY BRONZE

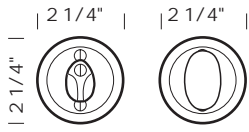
**PROPRIETARY AND CONFIDENTIAL:** The information contained in this drawing is the sole property of Sun Valley Bronze. Any reproduction in part or as a whole without the written permission of Sun Valley Bronze is prohibited.

Revised 11/13/09

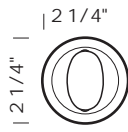


# 440-441 AUXILIARY MORTISE BOLTS

Illustrations are for demonstration purposes only.



CS-440/441MB  
-Complete set with mortise bolt  
OR  
TS-440/441MB  
-Trim set only. No lock.



CS-441MB  
-Complete set with mortise bolt  
-Interior only.  
OR  
TS-441MB  
-Trim set only. No lock.

## Complete sets with tubular mortise bolt.

CS-440/441MB Privacy bolt  
2 1/4" round plate #MB-RP440-ERC.  
2 1/4" round plate #MB-RP441-TPC.

CS-441MB Privacy bolt  
2 1/4" round plate #MB-RP441-TPC.

2 3/8" or 2 3/4" backset standard. Please specify.

## Trim sets for tubular mortise bolt. No mortise bolt included.

TS-440/441MB Privacy bolt  
2 1/4" round plate #MB-RP440-ERC.  
2 1/4" round plate #MB-RP441-TPC.

TS-441MB Privacy bolt  
2 1/4" round plate #MB-RP441-TPC.

Specify manufacturer of mortise bolt to be used.

SUN VALLEY BRONZE

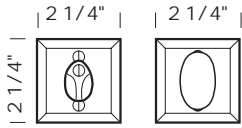
**PROPRIETARY AND CONFIDENTIAL:** The information contained in this drawing is the sole property of Sun Valley Bronze. Any reproduction in part or as a whole without the written permission of Sun Valley Bronze is prohibited.

Revised 11/13/09

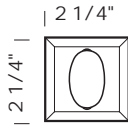


# 442-443 AUXILIARY MORTISE BOLTS

Illustrations are for demonstration purposes only.



CS-442/443MB  
-Complete set with mortise bolt  
OR  
TS-442/443MB  
-Trim set only. No lock.



CS-443MB  
-Complete set with mortise bolt  
-Interior only.  
OR  
TS-443MB  
-Trim set only. No lock.

---

## Complete sets with tubular mortise bolt.

CS-442/443MB Privacy bolt  
2 1/4" square plate #MB-442-ERC.  
2 1/4" square plate #MB-443-TPC.

CS-443MB Privacy bolt  
2 1/4" square plate #MB-443-TPC.

2 3/8" or 2 3/4" backset standard. Please specify.

---

## Trim sets for tubular mortise bolt. No mortise bolt included.

TS-442/443MB Privacy bolt  
2 1/4" square plate #MB-442-ERC.  
2 1/4" square plate #MB-443-TPC.

TS-443MB Privacy bolt  
2 1/4" square plate #MB-443-TPC.

Specify manufacturer of mortise bolt to be used.

SUN VALLEY BRONZE

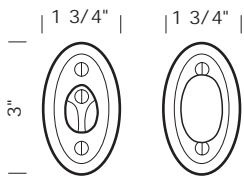
**PROPRIETARY AND CONFIDENTIAL:** The information contained in this drawing is the sole property of Sun Valley Bronze. Any reproduction in part or as a whole without the written permission of Sun Valley Bronze is prohibited.

Revised 11/13/09

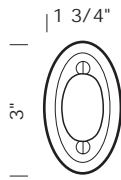


# 444-445 AUXILIARY MORTISE BOLTS

Illustrations are for demonstration purposes only.



CS-444/445MB  
-Complete set with mortise bolt  
OR  
TS-444/445MB  
-Trim set only. No lock.



CS-445MB  
-Complete set with mortise bolt  
-Interior only.  
OR  
TS-445MB  
-Trim set only. No lock.

## Complete sets with tubular mortise bolt.

CS-445/445MB Privacy bolt  
1 3/4" x 3" oval plate #MB-O P444-ERC.  
1 3/4" x 3" oval plate #MB-O P445-TPC.

CS-445MB Privacy bolt  
1 3/4" x 3" oval plate #MB-O P445-TPC.

2 3/8" or 2 3/4" backset standard. Please specify.

## Trim sets for tubular mortise bolt. No mortise bolt included.

TS-445/445MB Privacy bolt  
1 3/4" x 3" oval plate #MB-O P444-ERC.  
1 3/4" x 3" oval plate #MB-O P445-TPC.

TS-445MB Privacy bolt  
1 3/4" x 3" oval plate #MB-O P445-TPC.

Specify manufacturer of mortise bolt to be used.

SUN VALLEY BRONZE

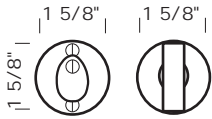
**PROPRIETARY AND CONFIDENTIAL:** The information contained in this drawing is the sole property of Sun Valley Bronze. Any reproduction in part or as a whole without the written permission of Sun Valley Bronze is prohibited.

Revised 11/13/09

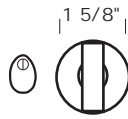


# RP91 57-RP91 58 AUXILIARY MORTISE BOLTS

Illustrations are for demonstration purposes only.



CS-RP9157/RP9158MB  
-Complete set with mortise bolt  
OR  
TS-RP9157/RP9158MB  
-Trim set only. No lock.



CS-RP9158MB w/RC-9  
-Complete set with mortise bolt  
OR  
TS-RP9158MB w/RC-9  
-Trim set only. No lock.

## Complete sets with tubular mortise bolt.

CS-RP9157/RP9158MB Privacy bolt  
1 5/8" round plate #MB-RP9157-ERC.  
1 5/8" round plate #MB-RP9158-TPC.

CS-RP9158MB w/RC-9 Privacy bolt  
3/4" x 1" release cover #RC-9.  
1 5/8" round plate #MB-RP9158-TPC.

2 3/8" or 2 3/4" backset standard. Please specify.

## Trim sets for tubular mortise bolt. No mortise bolt included.

TS-RP9157/RP9158MB Privacy bolt  
1 5/8" round plate #MB-RP9157-ERC.  
1 5/8" round plate #MB-RP9158-TPC.

TS-RP9158MB w/RC-9 Privacy bolt  
3/4" x 1" release cover #RC-9.  
1 5/8" round plate #MB-RP9158-TPC.

Specify manufacturer of mortise bolt to be used.

SUN VALLEY BRONZE

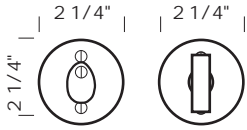
**PROPRIETARY AND CONFIDENTIAL:** The information contained in this drawing is the sole property of Sun Valley Bronze. Any reproduction in part or as a whole without the written permission of Sun Valley Bronze is prohibited.

Revised 11/13/09

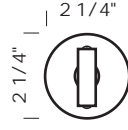


# RP9490-RP9491 AUXILIARY MORTISE BOLTS

Illustrations are for demonstration purposes only.



CS-RP9490/RP9491MB  
-Complete set with mortise bolt  
OR  
TS-RP9490/RP9491MB  
-Trim set only. No lock.



CS-RP9491MB  
-Complete set with mortise bolt  
-Interior only.  
OR  
TS-RP9491MB  
-TriRPm set only. No lock.

## Complete sets with tubular mortise bolt.

CS-RP9490/RP9491MB Privacy bolt  
2 1/4" round plate #MB-RP9490-ERC.  
2 1/4" round plate #MB-RP9491-TPC.

CS-RP9491MB Privacy bolt  
2 1/4" round plate #MB-RP9491-TPC.

2 3/8" or 2 3/4" backset standard. Please specify.

## Trim sets for tubular mortise bolt. No mortise bolt included.

TS-RP9490/RP9491MB Privacy bolt  
2 1/4" round plate #MB-RP9490-ERC.  
2 1/4" round plate #MB-RP9491-TPC.

TS-RP9491MB Privacy bolt  
2 1/4" round plate #MB-RP9491-TPC.

Specify manufacturer of mortise bolt to be used.

SUN VALLEY BRONZE

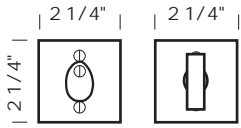
**PROPRIETARY AND CONFIDENTIAL:** The information contained in this drawing is the sole property of Sun Valley Bronze. Any reproduction in part or as a whole without the written permission of Sun Valley Bronze is prohibited.

Revised 11/13/09

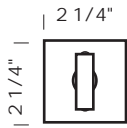


# 9492-9493 AUXILIARY MORTISE BOLTS

Illustrations are for demonstration purposes only.



CS-9492/9493MB  
-Complete set with mortise bolt  
OR  
TS-9492/9493MB  
-Trim set only. No lock.



CS-9493MB  
-Complete set with mortise bolt  
-Interior only.  
OR  
TS-9493MB  
-Trim set only. No lock.

## Complete sets with tubular mortise bolt.

CS-9492/9493MB Privacy bolt  
2 1/4" square plate #MB-9492-ERC.  
2 1/4" square plate #MB-9493-TPC.

CS-9493MB Privacy bolt  
2 1/4" square plate #MB-9493-TPC.

2 3/8" or 2 3/4" backset standard. Please specify.

## Trim sets for tubular mortise bolt. No mortise bolt included.

TS-9492/9493MB Privacy bolt  
2 1/4" square plate #MB-9492-ERC.  
2 1/4" square plate #MB-9493-TPC.

TS-9493MB Privacy bolt  
2 1/4" square plate #MB-9493-TPC.

Specify manufacturer of mortise bolt to be used.

SUN VALLEY BRONZE

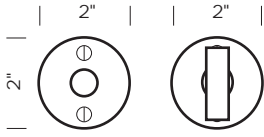
**PROPRIETARY AND CONFIDENTIAL:** The information contained in this drawing is the sole property of Sun Valley Bronze. Any reproduction in part or as a whole without the written permission of Sun Valley Bronze is prohibited.

Revised 11/13/09

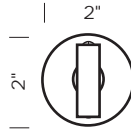


# RP9494-RP9495 AUXILIARY MORTISE BOLTS

Illustrations are for demonstration purposes only.



CS-RP9494/RP9495MB  
-Complete set with mortise bolt  
OR  
TS-RP9494/RP9495MB  
-Trim set only. No lock.



CS-RP9495MB  
-Complete set with mortise bolt  
-Interior only.  
OR  
TS-RP9495MB  
-Trim set only. No lock.

## Complete sets with tubular mortise bolt.

CS-RP9495/RP9495MB Privacy bolt  
2" round plate #MB-RP9494-ERC.  
2" round plate #MB-RP9495-TPC.

CS-RP9495MB Privacy bolt  
2" round plate #MB-RP9495-TPC.

2 3/8" or 2 3/4" backset standard. Please specify.

## Trim sets for tubular mortise bolt. No mortise bolt included.

TS-RP9495/RP9495MB Privacy bolt  
2" round plate #MB-RP9494-ERC.  
2" round plate #MB-RP9495-TPC.

TS-RP9495MB Privacy bolt  
2" round plate #MB-RP9495-TPC.

Specify manufacturer of mortise bolt to be used.

SUN VALLEY BRONZE

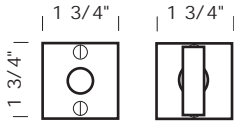
**PROPRIETARY AND CONFIDENTIAL:** The information contained in this drawing is the sole property of Sun Valley Bronze. Any reproduction in part or as a whole without the written permission of Sun Valley Bronze is prohibited.

Revised 11/13/09

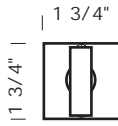


# 9496-9497 AUXILIARY MORTISE BOLTS

Illustrations are for demonstration purposes only.



CS-9496/9497MB  
-Complete set with mortise bolt  
OR  
TS-9496/9497MB  
-Trim set only. No lock.



CS-9497MB  
-Complete set with mortise bolt  
-Interior only.  
OR  
TS-9497MB  
-Trim set only. No lock.

## Complete sets with tubular mortise bolt.

CS-9496/9497MB Privacy bolt  
1 3/4" square plate #MB-9496-ERC.  
1 3/4" square plate #MB-9497-TPC.

CS-9497MB Privacy bolt  
1 3/4" square plate #MB-9497-TPC.

2 3/8" or 2 3/4" backset standard. Please specify.

## Trim sets for tubular mortise bolt. No mortise bolt included.

TS-9496/9497MB Privacy bolt  
1 3/4" square plate #MB-9496-ERC.  
1 3/4" square plate #MB-9497-TPC.

TS-9497MB Privacy bolt  
1 3/4" square plate #MB-9497-TPC.

Specify manufacturer of mortise bolt to be used.

SUN VALLEY BRONZE

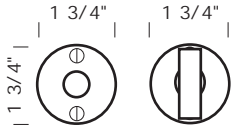
**PROPRIETARY AND CONFIDENTIAL:** The information contained in this drawing is the sole property of Sun Valley Bronze. Any reproduction in part or as a whole without the written permission of Sun Valley Bronze is prohibited.

Revised 11/13/09

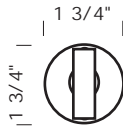


# RP9498-RP9499 AUXILIARY MORTISE BOLTS

Illustrations are for demonstration purposes only.



CS-RP9498/ RP9499MB  
-Complete set with mortise bolt  
OR  
TS-RP9498/ RP9499MB  
-Trim set only. No lock.



CS-RP9499MB  
-Complete set with mortise bolt  
-Interior only.  
OR  
TS-RP9499MB  
-Trim set only. No lock.

## Complete sets with tubular mortise bolt.

CS-RP9498/ RP9499MB      Privacy bolt  
1 3/4" round plate #MB-RP9498-ERC.  
1 3/4" round plate #MB-RP9499-TPC.

CS-RP9499MB                Privacy bolt  
1 3/4" round plate #MB-RP9499-TPC.

2 3/8" or 2 3/4" backset standard. Please specify.

## Trim sets for tubular mortise bolt. No mortise bolt included.

TS-RP9498/ RP9499MB      Privacy bolt  
1 3/4" round plate #MB-RP9498-ERC.  
1 3/4" round plate #MB-RP9499-TPC.

TS-RP9499MB                Privacy bolt  
1 3/4" round plate #MB-RP9499-TPC.

Specify manufacturer of mortise bolt to be used.

SUN VALLEY BRONZE

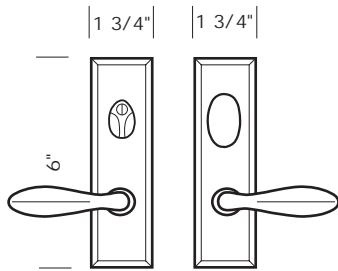
**PROPRIETARY AND CONFIDENTIAL:** The information contained in this drawing is the sole property of Sun Valley Bronze. Any reproduction in part or as a whole without the written permission of Sun Valley Bronze is prohibited.

Revised 11/13/09

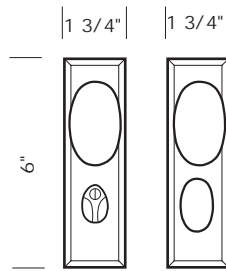


# 405-F405 PASSAGE LATCH/MORTISE BOLT PRIVACY SETS

Illustrations are for demonstration purposes only. Any lever or knob may be substituted for lever or knob shown.



CS-405PLMB  
 -Complete set with passage latch, mortise bolt and spindle.  
 -Shown with L-116 lever.  
 OR  
 TS-405PLMB  
 -Trim set only. No latch or mortise bolt



CS-F405PLMB  
 -Complete set with passage latch, mortise bolt and spindle.  
 -Shown with K-206 knob.  
 OR  
 TS-F405PLMB  
 -Trim set only. No latch or mortise bolt

## Complete sets with tubular passage latch, mortise bolt and spindle.

CS-405PLMB Privacy set (2 1/4" center to center spacing).\*  
 1 3/4" x 6" escutcheon plate P-405MB-ERC.  
 1 3/4" x 6" escutcheon plate P-405MB-TPC.  
 Combination strike required.

CS-F405PLMB Privacy set (2 1/4" center to center spacing).\*  
 1 3/4" x 6" escutcheon plate P-F405MB-ERC.  
 1 3/4" x 6" escutcheon plate P-F405MB-TPC.  
 Combination strike required.

2 3/8" or 2 3/4" backset standard. Please specify.

Door handing required.

Always specify lever/knob design.

\*Will not cover 2 1/8" bore.

## Trim sets for tubular passage latch, mortise bolt, with spindle, no latch or mortise bolt included.

TS-405PLMB Privacy set (2 1/4" center to center spacing).\*  
 1 3/4" x 6" escutcheon plate P-405MB-ERC.  
 1 3/4" x 6" escutcheon plate P-405MB-TPC.  
 Combination strike required.

TS-F405PLMB Privacy set (2 1/4" center to center spacing).\*  
 1 3/4" x 6" escutcheon plate P-F405MB-ERC.  
 1 3/4" x 6" escutcheon plate P-F405MB-TPC.  
 Combination strike required.

Specify manufacturer of latch and mortise bolt to be used.

Door handing required.

Always specify lever/knob design.

\*Will not cover 2 1/8" bore.

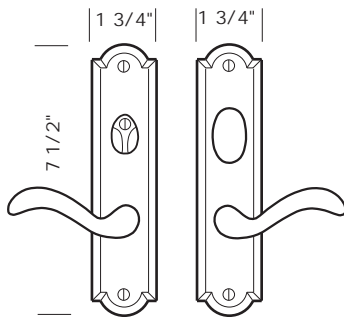
**PROPRIETARY AND CONFIDENTIAL:** The information contained in this drawing is the sole property of Sun Valley Bronze. Any reproduction in part or as a whole without the written permission of Sun Valley Bronze is prohibited.

Revised 11/13/09

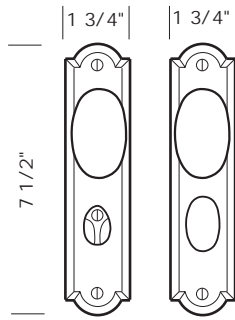


# A 405-FA 405 PASSAGE LATCH/MORTISE BOLT PRIVACY SETS

Illustrations are for demonstration purposes only. Any lever or knob may be substituted for lever or knob shown.



CSA 405PLMB  
 -Complete set with passage latch,  
 mortise bolt, and spindle.  
 -Shown with L-103 lever.  
 OR  
 TSA 405PLMB  
 -Trim set only. No latch or mortise bolt



CS-FA 405PLMB  
 -Complete set with passage latch,  
 mortise bolt and spindle.  
 -Shown with K-206 knob.  
 OR  
 TS-FA 405PLMB  
 -Trim set only. No latch or mortise bolt

## Complete sets with tubular passage latch, mortise bolt and spindle.

CSA 405PLMB Privacy set (2 1/4" center to center spacing).\*  
 1 3/4" x 7 1/2" escutcheon plate PA 405MB-ERC.  
 1 3/4" x 7 1/2" escutcheon plate PA 405MB-TPC.  
 Combination strike required.

CS-FA 405PLMB Privacy set (2 1/4" center to center spacing).\*  
 1 3/4" x 7 1/2" escutcheon plate PFA 405MB-ERC.  
 1 3/4" x 7 1/2" escutcheon plate PFA 405MB-TPC.  
 Combination strike required.

2 3/8" or 2 3/4" backset standard. Please specify.

Door handing required.

Always specify lever/knob design.

\* Will not cover 2 1/8" bore.

## Trim sets for tubular passage latch, mortise bolt, with spindle, no latch or mortise bolt included.

TSA 405PLMB Privacy set (2 1/4" center to center spacing).\*  
 1 3/4" x 7 1/2" escutcheon plate PA 405MB-ERC.  
 1 3/4" x 7 1/2" escutcheon plate PA 405MB-TPC.  
 Combination strike required.

TS-FA 405PLMB Privacy set (2 1/4" center to center spacing).\*  
 1 3/4" x 7 1/2" escutcheon plate PFA 405MB-ERC.  
 1 3/4" x 7 1/2" escutcheon plate PFA 405MB-TPC.  
 Combination strike required.

Specify manufacturer of latch and mortise bolt to be used.

Door handing required.

Always specify lever/knob design.

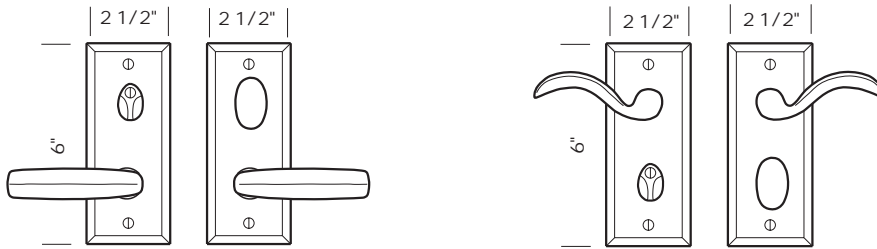
\* Will not cover 2 1/8" bore.

**PROPRIETARY AND CONFIDENTIAL:** The information contained in this drawing is the sole property of Sun Valley Bronze. Any reproduction in part or as a whole without the written permission of Sun Valley Bronze is prohibited. Revised 11/13/09



# 406-F406 PASSAGE LATCH/MORTISE BOLT PRIVACY SETS

Illustrations are for demonstration purposes only. Any lever or knob may be substituted for lever or knob shown.



CS-406PLMB  
 -Complete set with passage latch,  
 mortise bolt and spindle.  
 -Shown with L-104 lever.  
 OR  
 TS-406PLMB  
 -Trim set only. No latch or mortise bolt

CS-F406PLMB  
 -Complete set with passage latch,  
 mortise bolt and spindle.  
 -Shown with L-102 lever.  
 OR  
 TS-F406PLMB  
 -Trim set only. No latch or mortise bolt

## Complete sets with tubular passage latch, mortise bolt and spindle.

CS-406PLMB Privacy set (2 1/4" center to center spacing).  
 2 1/2" x 6" escutcheon plate P-406MB-ERC.  
 2 1/2" x 6" escutcheon plate P-406MB-TPC.  
 Combination strike required.

CS-F406PLMB Privacy set (2 1/4" center to center spacing).  
 2 1/2" x 6" escutcheon plate PF406MB-ERC.  
 2 1/2" x 6" escutcheon plate PF406MB-TPC.  
 Combination strike required.

2 3/8" or 2 3/4" backset standard. Please specify.  
 Door handing required.  
 Always specify lever/knob design.  
 \*Will not cover 2 1/8" bore.

## Trim sets for tubular passage latch, mortise bolt, with spindle, no latch or mortise bolt included.

TS-406PLMB Privacy set (2 1/4" center to center spacing).  
 2 1/2" x 6" escutcheon plate P-406MB-ERC.  
 2 1/2" x 6" escutcheon plate P-406MB-TPC.  
 Combination strike required.

TS-F406PLMB Privacy set (2 1/4" center to center spacing).  
 2 1/2" x 6" escutcheon plate PF406MB-ERC.  
 2 1/2" x 6" escutcheon plate PF406MB-TPC.  
 Combination strike required.

Specify manufacturer of latch and mortise bolt to be used.  
 Door handing required.  
 Always specify lever/knob design.  
 \*Will not cover 2 1/8" bore.

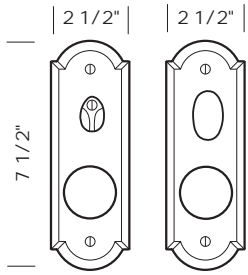
**PROPRIETARY AND CONFIDENTIAL:** The information contained in this drawing is the sole property of Sun Valley Bronze. Any reproduction in part or as a whole without the written permission of Sun Valley Bronze is prohibited.

Revised 11/13/09

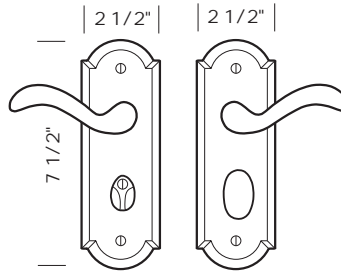


# A 406-FA 406 PASSAGE LATCH/MORTISE BOLT PRIVACY SETS

Illustrations are for demonstration purposes only. Any lever or knob may be substituted for lever or knob shown.



CSA 406PLMB  
 -Complete set with passage latch,  
 mortise bolt, and spindle.  
 -Shown with K-202 knob.  
 OR  
 TSA 406PLMB  
 -Trim set only. No latch or mortise bolt



CS-FA 406PLMB  
 -Complete set with passage latch,  
 mortise bolt, and spindle.  
 -Shown with L-103 lever.  
 OR  
 TS-FA 406PLMB  
 -Trim set only. No latch or mortise bolt

## Complete sets with tubular passage latch, mortise bolt and spindle.

CSA 406PLMB Privacy set (2 1/4" center to center spacing).  
 2 1/2" x 7 1/2" escutcheon plate PA 406MB-ERC.  
 2 1/2" x 7 1/2" escutcheon plate PA 406MB-TPC.  
 Combination strike required.

CS-FA 406PLMB Privacy set (2 1/4" center to center spacing).  
 2 1/2" x 7 1/2" escutcheon plate PFA 406MB-ERC.  
 2 1/2" x 7 1/2" escutcheon plate PFA 406MB-TPC.  
 Combination strike required.

2 3/8" or 2 3/4" backset standard. Please specify.  
 Door handing required.  
 Always specify lever/knob design.  
 \* Will not cover 2 1/8" bore.

## Trim sets for tubular passage latch, mortise bolt, with spindle, no latch or mortise bolt included.

TSA 406PLMB Privacy set (2 1/4" center to center spacing).  
 2 1/2" x 7 1/2" escutcheon plate PA 406MB-ERC.  
 2 1/2" x 7 1/2" escutcheon plate PA 406MB-TPC.  
 Combination strike required.

TS-FA 406PLMB Privacy set (2 1/4" center to center spacing).  
 2 1/2" x 7 1/2" escutcheon plate PFA 406MB-ERC.  
 2 1/2" x 7 1/2" escutcheon plate PFA 406MB-TPC.  
 Combination strike required.

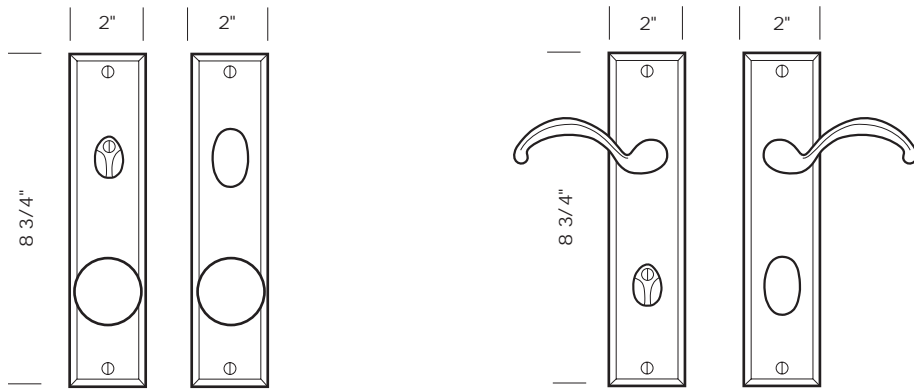
Specify manufacturer of latch and mortise bolt to be used.  
 Door handing required.  
 Always specify lever/knob design.  
 \* Will not cover 2 1/8" bore.

**PROPRIETARY AND CONFIDENTIAL:** The information contained in this drawing is the sole property of Sun Valley Bronze. Any reproduction in part or as a whole without the written permission of Sun Valley Bronze is prohibited. Revised 11/13/09



# 407 PASSAGE LATCH/MORTISE BOLT PRIVACY SETS

Illustrations are for demonstration purposes only. Any lever or knob may be substituted for lever or knob shown.



CS-407PLMB

-Complete set with passage latch,  
mortise bolt and spindle.  
Shown with K-202 knob.

OR

TS-407PLMB

-Trim set only. No latch or mortise bolt

CS-F407PLMB

-Complete set with passage latch,  
mortise bolt and spindle.  
Shown with L-120 lever.

OR

TS-F407PLMB

-Trim set only. No latch or mortise bolt

## Complete sets with tubular passage latch, mortise bolt and spindle.

CS-407PLMB Privacy set (3 1/2" center to center spacing).\*  
2" x 8 3/4" escutcheon plate P-407MB-ERC.  
2" x 8 3/4" escutcheon plate P-407MB-TPC.

CS-F407PLMB Privacy set (3 1/2" center to center spacing).\*  
2" x 8 3/4" escutcheon plate PF407MB-ERC.  
2" x 8 3/4" escutcheon plate PF407MB-TPC.

2 3/8" or 2 3/4" backset standard. Please specify.

Door handing required.

Always specify lever/knob design.

\* Will not cover 2 1/8" bore.

## Trim sets for tubular passage latch, mortise bolt, with spindle, no latch or mortise bolt included.

TS-407PLMB Privacy set (3 1/2" center to center spacing).\*  
2" x 8 3/4" escutcheon plate P-407MB-ERC.  
2" x 8 3/4" escutcheon plate P-407MB-TPC.

TS-F407PLMB Privacy set (3 1/2" center to center spacing).\*  
2" x 8 3/4" escutcheon plate PF407MB-ERC.  
2" x 8 3/4" escutcheon plate PF407MB-TPC.

Specify manufacturer of latch and mortise bolt to be used.

Door handing required.

Always specify lever/knob design.

\* Will not cover 2 1/8" bore.

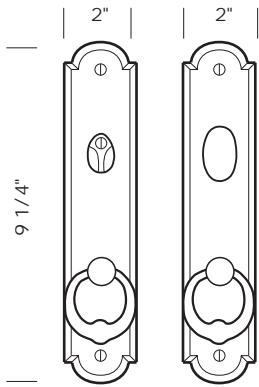
**PROPRIETARY AND CONFIDENTIAL:** The information contained in this drawing is the sole property of Sun Valley Bronze. Any reproduction in part or as a whole without the written permission of Sun Valley Bronze is prohibited.

Revised 11/13/09

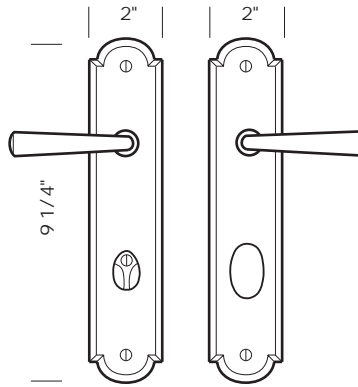


# A 407-FA 407 PASSAGE LATCH/MORTISE BOLT PRIVACY SETS

Illustrations are for demonstration purposes only. Any lever or knob may be substituted for lever or knob shown.



CSA 407PLMB  
-Complete set with passage latch,  
mortise bolt, and spindle.  
-Shown with K-210 knob.  
OR  
TSA 407PLMB  
-Trim set only. No latch or mortise bolt



CS-FA 407PLMB  
-Complete set with passage latch,  
mortise bolt, and spindle.  
-Shown with L-120 lever.  
OR  
TS-FA 407PLMB  
-Trim set only. No latch or mortise bolt

## Complete sets with tubular passage latch, mortise bolt and spindle.

CSA 407PLMB Privacy set (3 1/2" center to center spacing).\*  
2" x 8 3/4" escutcheon plate PA 407MB-ERC.  
2" x 8 3/4" escutcheon plate PA 407MB-TPC.

CS-FA 407PLMB Privacy set (3 1/2" center to center spacing).\*  
2" x 8 3/4" escutcheon plate PFA 407MB-ERC.  
2" x 8 3/4" escutcheon plate PFA 407MB-TPC.

2 3/8" or 2 3/4" backset standard. Please specify.

Door handing required.

Always specify lever/knob design.

\* Will not cover 2 1/8" bore.

## Trim sets for tubular passage latch, mortise bolt, with spindle, no latch or mortise bolt included.

TSA 407PLMB Privacy set (3 1/2" center to center spacing).\*  
2" x 8 3/4" escutcheon plate PA 407MB-ERC.  
2" x 8 3/4" escutcheon plate PA 407MB-TPC.

TS-FA 407PLMB Privacy set (3 1/2" center to center spacing).\*  
2" x 8 3/4" escutcheon plate PFA 407MB-ERC.  
2" x 8 3/4" escutcheon plate PFA 407MB-TPC.

Specify manufacturer of latch and mortise bolt to be used.

Door handing required.

Always specify lever/knob design.

\* Will not cover 2 1/8" bore.

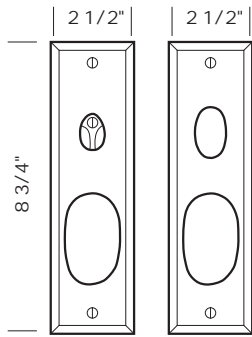
**PROPRIETARY AND CONFIDENTIAL:** The information contained in this drawing is the sole property of Sun Valley Bronze. Any reproduction in part or as a whole without the written permission of Sun Valley Bronze is prohibited.

Revised 11/13/09

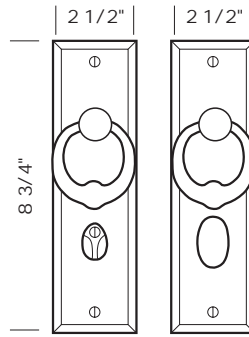


# 408-F408 PASSAGE LATCH/MORTISE BOLT PRIVACY SETS

Illustrations are for demonstration purposes only. Any lever or knob may be substituted for lever or knob shown.



CS-408PLMB  
 -Complete set with passage latch, mortise bolt, and spindle.  
 -Shown with K-205 knob.  
 OR  
 TS-408PLMB  
 -Trim set only. No latch or mortise bolt



CS-F408PLMB  
 -Complete set with passage latch, mortise bolt, and spindle.  
 -Shown with K-210 knob.  
 OR  
 TS-F408PLMB  
 -Trim set only. No latch or mortise bolt

## Complete sets with tubular passage latch, mortise bolt and spindle.

CS-408PLMB Privacy set (3 1/2" center to center spacing).  
 2 1/2" x 8 3/4" escutcheon plate P-408MB-ERC.  
 2 1/2" x 8 3/4" escutcheon plate P-408MB-TPC.

CS-F408PLMB Privacy set (3 1/2" center to center spacing).  
 2 1/2" x 8 3/4" escutcheon plate PF-408MB-ERC.  
 2 1/2" x 8 3/4" escutcheon plate PF-408MB-TPC.

2 3/8" or 2 3/4" backset standard. Please specify.  
 Door handing required.  
 Always specify lever/knob design.

## Trim sets for tubular passage latch, mortise bolt, with spindle, no latch or mortise bolt included.

TS-408PLMB Privacy set (3 1/2" center to center spacing).  
 2 1/2" x 8 3/4" escutcheon plate P-408MB-ERC.  
 2 1/2" x 8 3/4" escutcheon plate P-408MB-TPC.

TS-F408PLMB Privacy set (3 1/2" center to center spacing).  
 2 1/2" x 8 3/4" escutcheon plate PF-408MB-ERC.  
 2 1/2" x 8 3/4" escutcheon plate PF-408MB-TPC.

Specify manufacturer of latch and mortise bolt to be used.  
 Door handing required.  
 Always specify lever/knob design.

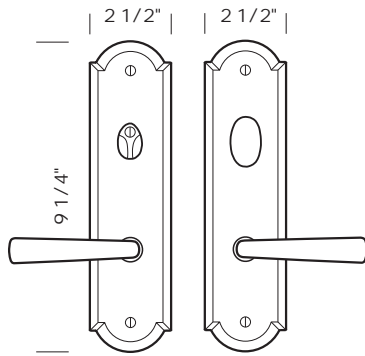
**PROPRIETARY AND CONFIDENTIAL:** The information contained in this drawing is the sole property of Sun Valley Bronze. Any reproduction in part or as a whole without the written permission of Sun Valley Bronze is prohibited.

Revised 11/13/09

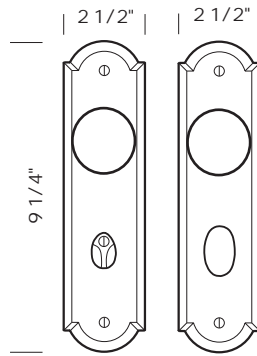


# A 408-FA 408 PASSAGE LATCH/MORTISE BOLT PRIVACY SETS

Illustrations are for demonstration purposes only. Any lever or knob may be substituted for lever or knob shown.



CSA 408PLMB  
 Complete set with passage latch,  
 mortise bolt and spindle.  
 Shown with L-106 lever.  
 OR  
 TSA 408PLMB  
 Trim set only. No latch or mortise bolt



CS-FA 408PLMB  
 Complete set with passage latch,  
 mortise bolt and spindle.  
 Shown with K-201 knob.  
 OR  
 TS-FA 408PLMB  
 Trim set only. No latch or mortise bolt

## Complete sets with tubular passage latch, mortise bolt and spindle.

CSA 408PLMB Privacy set (3 1/2" center to center spacing).  
 2 1/2" x 9 1/4" escutcheon plate PA 408MB-ERC.  
 2 1/2" x 9 1/4" escutcheon plate PA 408MB-TPC.

CS-FA 408PLMB Privacy set (3 1/2" center to center spacing).  
 2 1/2" x 9 1/4" escutcheon plate P-FA 408MB-ERC.  
 2 1/2" x 9 1/4" escutcheon plate P-FA 408MB-TPC

2 3/8" or 2 3/4" backset standard. Please specify.  
 Door handing required.  
 Always specify lever/knob design.

## Trim sets for tubular passage latch, mortise bolt, with spindle, no latch or mortise bolt included.

TS-A 408PLMB Privacy set (3 1/2" center to center spacing).  
 2 1/2" x 9 1/4" escutcheon plate PA 408MB-ERC.  
 2 1/2" x 9 1/4" escutcheon plate PA 408MB-TPC.

TS-FA 408PLMB Privacy set (3 1/2" center to center spacing).  
 2 1/2" x 9 1/4" escutcheon plate P-FA 408MB-ERC.  
 2 1/2" x 9 1/4" escutcheon plate P-FA 408MB-TPC.

Specify manufacturer of latch and mortise bolt to be used.  
 Door handing required.  
 Always specify lever/knob design.

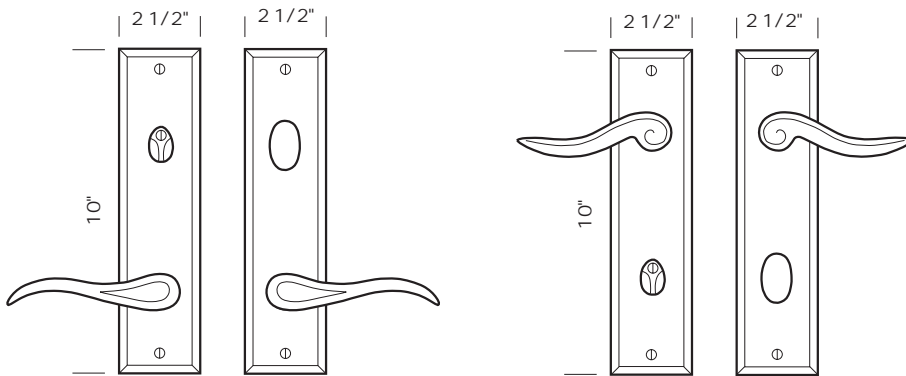
**PROPRIETARY AND CONFIDENTIAL:** The information contained in this drawing is the sole property of Sun Valley Bronze. Any reproduction in part or as a whole without the written permission of Sun Valley Bronze is prohibited.

Revised 11/13/09



# 409-F409 PASSAGE LATCH/MORTISE BOLT PRIVACY SETS

Illustrations are for demonstration purposes only. Any lever or knob may be substituted for lever or knob shown.



CS-409PLMB  
 -Complete set with passage latch,  
 mortise bolt and spindle.  
 -Shown with L-101 lever.  
 OR  
 TS-409PLMB  
 -Trim set only. No latch or mortise bolt

CS-F409PLMB  
 -Complete set with passage latch,  
 mortise bolt and spindle.  
 -Shown with L-114 lever.  
 OR  
 TS-F409PLMB  
 -Trim set only. No latch or mortise bolt

## Complete sets with tubular passage latch, mortise bolt and spindle.

CS-409PLMB Privacy set (4 1/2" center to center spacing).  
 2 1/2" x 10" escutcheon plate P-409MB-ERC.  
 2 1/2" x 10" escutcheon plate P-409MB-TPC.

CS-F410PLMB Privacy set (4 1/2" center to center spacing).  
 2 1/2" x 10" escutcheon plate PF-409MB-ERC.  
 2 1/2" x 10" escutcheon plate PF-409MB-TPC.

2 3/8" or 2 3/4" backset standard. Please specify.  
 Door handing required.  
 Always specify lever/knob design.

## Trim sets for tubular passage latch, mortise bolt, with spindle, no latch or mortise bolt included.

TS-409PLMB Privacy set (4 1/2" center to center spacing).  
 2 1/2" x 10" escutcheon plate P-409MB-ERC.  
 2 1/2" x 10" escutcheon plate P-409MB-TPC.

TS-F409PLMB Privacy set (4 1/2" center to center spacing).  
 2 1/2" x 10" escutcheon plate PF-409MB-ERC.  
 2 1/2" x 10" escutcheon plate PF-409MB-TPC.

Specify manufacturer of latch and mortise bolt to be used.  
 Door handing required.  
 Always specify lever/knob design.

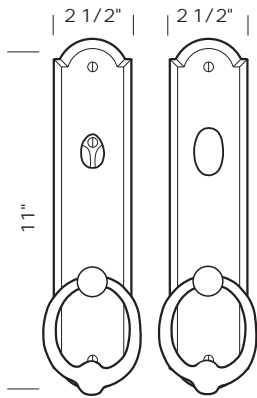
**PROPRIETARY AND CONFIDENTIAL:** The information contained in this drawing is the sole property of Sun Valley Bronze. Any reproduction in part or as a whole without the written permission of Sun Valley Bronze is prohibited.

Revised 11/13/09



# A 409-FA 409 PASSAGE LATCH/MORTISE BOLT PRIVACY SETS

Illustrations are for demonstration purposes only. Any lever or knob may be substituted for lever or knob shown.



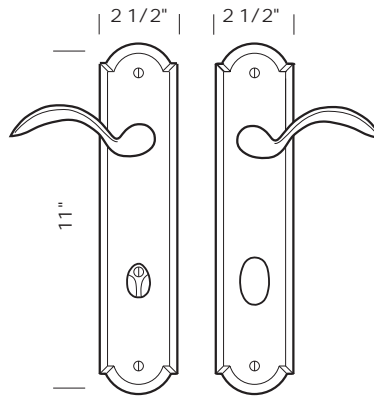
CS-A 409PLMB

-Complete set with passage latch,  
mortise bolt and spindle.  
-Shown with K-212 knob.

OR

TS-A 409PLMB

-Trim set only. No latch or mortise bolt



CS-FA 409PLMB

-Complete set with passage latch,  
mortise bolt and spindle.  
-Shown with L-105 lever.

OR

TS-FA 409PLMB

-Trim set only. No latch or mortise bolt

## Complete sets with tubular passage latch, mortise bolt and spindle.

CS-A 409PLMB Privacy set (4 1/2" center to center spacing).  
2 1/2" x 11" escutcheon plate PA 409MB-ERC.  
2 1/2" x 11" escutcheon plate PA 409MB-TPC.

CS-FA 409PLMB Privacy set (4 1/2" center to center spacing).  
2 1/2" x 11" escutcheon plate P-FA 409MB-ERC.  
2 1/2" x 11" escutcheon plate P-FA 409MB-TPC.

2 3/8" or 2 3/4" backset standard. Please specify.

Door handing required.

Always specify lever/knob design.

## Trim sets for tubular passage latch, mortise bolt, with spindle, no latch or mortise bolt included.

TS-A 409PLMB Privacy set (4 1/2" center to center spacing).  
2 1/2" x 11" escutcheon plate PA 409MB-ERC.  
2 1/2" x 11" escutcheon plate PA 409MB-TPC.

TS-FA 409PLMB Privacy set (4 1/2" center to center spacing).  
2 1/2" x 11" escutcheon plate P-FA 409MB-ERC.  
2 1/2" x 11" escutcheon plate P-FA 409MB-TPC.

Specify manufacturer of latch and mortise bolt to be used.

Door handing required.

Always specify lever/knob design.

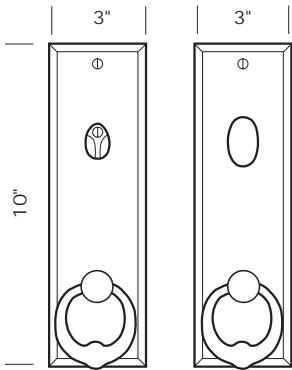
**PROPRIETARY AND CONFIDENTIAL:** The information contained in this drawing is the sole property of Sun Valley Bronze. Any reproduction in part or as a whole without the written permission of Sun Valley Bronze is prohibited.

Revised 11/13/09

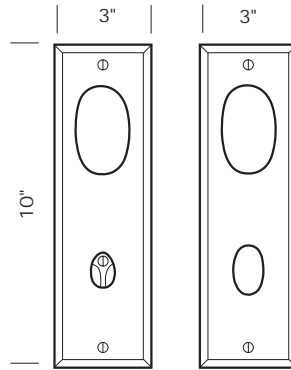


# 410-F410 PASSAGE LATCH/MORTISE BOLT PRIVACY SETS

Illustrations are for demonstration purposes only. Any lever or knob may be substituted for lever or knob shown.



CS-410PLMB  
 -Complete set with passage latch,  
 mortise bolt, and spindle.  
 -Shown with K-210 knob.  
 OR  
 TS-410PLMB  
 -Trim set only. No latch or mortise bolt



CS-F410PLMB  
 -Complete set with passage latch,  
 mortise bolt, and spindle.  
 -Shown with K-207 knob.  
 OR  
 TS-F410PLMB  
 -Trim set only. No latch or mortise bolt

## Complete sets with tubular passage latch, mortise bolt and spindle.

CS-410PLMB Privacy set (4 1/2" center to center spacing).  
 3" x 10" escutcheon plate P-410MB-ERC.  
 3" x 10" escutcheon plate P-410MB-TPC.

CS-F410PLMB Privacy set (4 1/2" center to center spacing).  
 3" x 10" escutcheon plate PF-410MB-ERC.  
 3" x 10" escutcheon plate PF-410MB-TPC.

2 3/8" or 2 3/4" backset standard. Please specify.  
 Door handing required.  
 Always specify lever/knob design.

## Trim sets for tubular passage latch, mortise bolt, with spindle, no latch or mortise bolt included.

TS-410PLMB Privacy set (4 1/2" center to center spacing).  
 3" x 10" escutcheon plate P-410MB-ERC.  
 3" x 10" escutcheon plate P-410MB-TPC.

TS-F410PLMB Privacy set (4 1/2" center to center spacing).  
 3" x 10" escutcheon plate PF-410MB-ERC.  
 3" x 10" escutcheon plate PF-410MB-TPC.

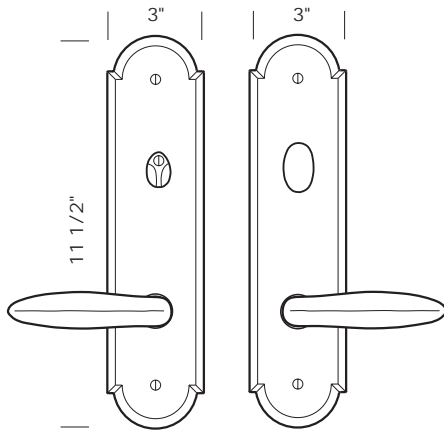
Specify manufacturer of latch and mortise bolt to be used.  
 Door handing required.  
 Always specify lever/knob design.

**PROPRIETARY AND CONFIDENTIAL:** The information contained in this drawing is the sole property of Sun Valley Bronze. Any reproduction in part or as a whole without the written permission of Sun Valley Bronze is prohibited. *Revised 11/13/09*

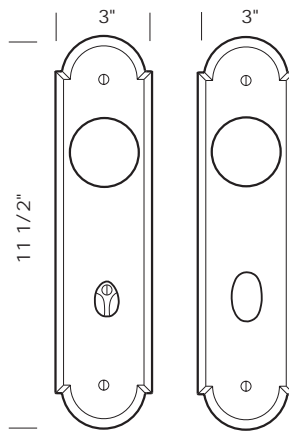


# A 410-FA 410 PASSAGE LATCH/MORTISE BOLT PRIVACY SETS

Illustrations are for demonstration purposes only. Any lever or knob may be substituted for lever or knob shown.



CSA 410 PLMB  
 -Complete set with passage latch,  
 mortise bolt, and spindle.  
 -Shown with L-107 lever.  
 OR  
 TSA 410 PLMB  
 -Trim set only. No latch or mortise bolt



CS-FA 410 PLMB  
 -Complete set with passage latch,  
 mortise bolt, and spindle.  
 -Shown with K-208 knob.  
 OR  
 TS-FA 410 PLMB  
 -Trim set only. No latch or mortise bolt

## Complete sets with tubular passage latch, mortise bolt and spindle.

CSA 410 PLMB Privacy set (4 1/2" center to center spacing).  
 3" x 11 1/2" escutcheon plate PA 410 MB-ERC.  
 3" x 11 1/2" escutcheon plate PA 410 MB-TPC.

CS-FA 410 PLMB Privacy set (4 1/2" center to center spacing).  
 3" x 11 1/2" escutcheon plate P-FA 410 MB-ERC.  
 3" x 11 1/2" escutcheon plate P-FA 410 MB-TPC.

2 3/8" or 2 3/4" backset standard. Please specify.  
 Door handing required.  
 Always specify lever/knob design.

## Trim sets for tubular passage latch, mortise bolt, with spindle, no latch or mortise bolt included.

TSA 410 PLMB Privacy set (4 1/2" center to center spacing).  
 3" x 11 1/2" escutcheon plate PA 410 MB-ERC.  
 3" x 11 1/2" escutcheon plate PA 410 MB-TPC.

TS-FA 410 PLMB Privacy set (4 1/2" center to center spacing).  
 3" x 11 1/2" escutcheon plate P-FA 410 MB-ERC.  
 3" x 11 1/2" escutcheon plate P-FA 410 MB-TPC.

Specify manufacturer of latch and mortise bolt to be used.  
 Door handing required.  
 Always specify lever/knob design.

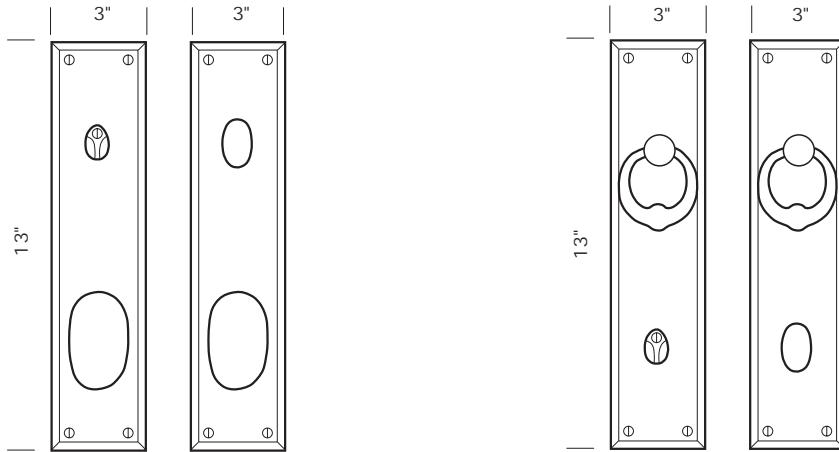
**PROPRIETARY AND CONFIDENTIAL:** The information contained in this drawing is the sole property of Sun Valley Bronze. Any reproduction in part or as a whole without the written permission of Sun Valley Bronze is prohibited. *Revised 11/13/09*

SUN VALLEY BRONZE



# 601-F601 PASSAGE LATCH/MORTISE BOLT PRIVACY SETS

Illustrations are for demonstration purposes only. Any lever or knob may be substituted for lever or knob shown.



CS-601PLMB  
 -Complete set with passage latch,  
 mortise bolt and spindle.  
 -Shown with K-205 knob.  
 OR  
 TS-601PLMB  
 -Trim set only. No latch or mortise bolt

CS-F601PLMB  
 -Complete set with passage latch,  
 mortise bolt and spindle.  
 -Shown with K-210 knob.  
 OR  
 TS-F601PLMB  
 -Trim set only. No latch or mortise bolt

## Complete sets with tubular passage latch, mortise bolt and spindle.

CS-601PLMB Privacy set (6" center to center spacing).  
 3" x 13" escutcheon plate P-601MB-ERC.  
 3" x 13" escutcheon plate P-601MB-TPC.

CS-F601PLMB Privacy set (6" center to center spacing).  
 3" x 13" escutcheon plate PF601MB-ERC.  
 3" x 13" escutcheon plate PF601MB-TPC.

2 3/8" or 2 3/4" backset standard. Please specify.  
 Door handing required.  
 Always specify lever/knob design.

## Trim sets for tubular passage latch, mortise bolt, with spindle, no latch or mortise bolt included.

TS-601PLMB Privacy set (6" center to center spacing).  
 3" x 13" escutcheon plate P-601MB-ERC.  
 3" x 13" escutcheon plate P-601MB-TPC.

TS-F601PLMB Privacy set (6" center to center spacing).  
 3" x 13" escutcheon plate PF601MB-ERC.  
 3" x 13" escutcheon plate PF601MB-TPC.

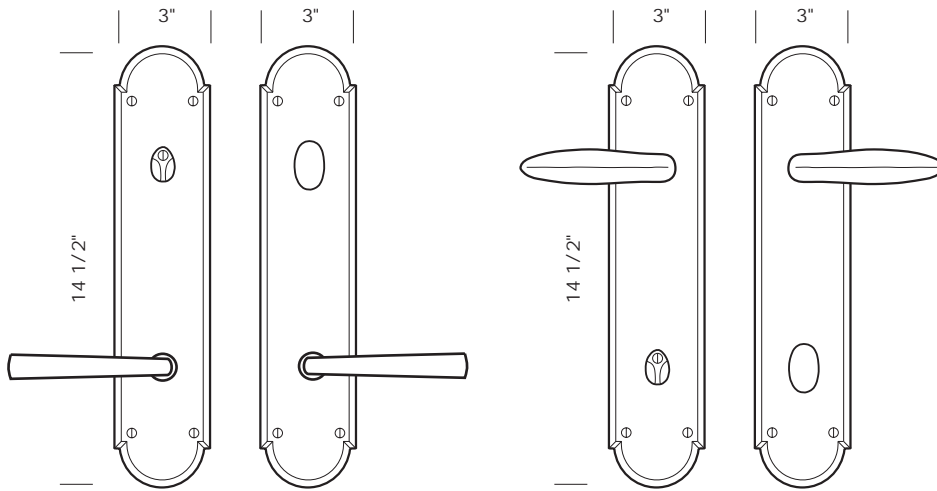
Specify manufacturer of latch and mortise bolt to be used.  
 Door handing required.  
 Always specify lever/knob design.

**PROPRIETARY AND CONFIDENTIAL:** The information contained in this drawing is the sole property of Sun Valley Bronze. Any reproduction in part or as a whole without the written permission of Sun Valley Bronze is prohibited. Revised 11/13/09



# A 601-FA 601 PASSAGE LATCH/MORTISE BOLT PRIVACY SETS

Illustrations are for demonstration purposes only. Any lever or knob may be substituted for lever or knob shown.



CS-A601PLMB  
 -Complete set with passage latch,  
 mortise bolt and spindle.  
 -Shown with L-115 lever.  
 OR  
 TS-A601PLMB  
 -Trim set only. No latch or mortise bolt

CS-FA601PLMB  
 -Complete set with passage latch,  
 mortise bolt and spindle.  
 -Shown with L-107 lever.  
 OR  
 TS-FA601PLMB  
 -Trim set only. No latch or mortise bolt

## Complete sets with tubular passage latch, mortise bolt and spindle.

CS-A601PLMB Privacy set (6" center to center spacing).  
 3" x 14 1/2" escutcheon plate P-A 601MB-ERC.  
 3" x 14 1/2" escutcheon plate P-A 601MB-TPC.

CS-FA601PLMB Privacy set (6" center to center spacing).  
 3" x 14 1/2" escutcheon plate P-FA 601MB-ERC.  
 3" x 14 1/2" escutcheon plate P-FA 601MB-TPC.

2 3/8" or 2 3/4" backset standard. Please specify.  
 Door handing required.  
 Always specify lever/knob design.

## Trim sets for tubular passage latch, mortise bolt, with spindle, no latch or mortise bolt included.

TS-A601PLMB Privacy set (6" center to center spacing).  
 3" x 14 1/2" escutcheon plate P-A 601MB-ERC.  
 3" x 14 1/2" escutcheon plate P-A 601MB-TPC.

TS-FA601PLMB Privacy set (6" center to center spacing).  
 3" x 14 1/2" escutcheon plate P-FA 601MB-ERC.  
 3" x 14 1/2" escutcheon plate P-FA 601MB-TPC.

Specify manufacturer of latch and mortise bolt to be used.  
 Door handing required.  
 Always specify lever/knob design.

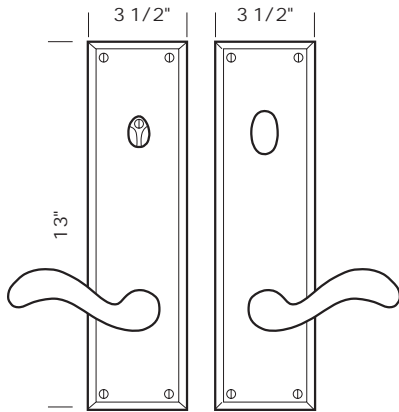
**PROPRIETARY AND CONFIDENTIAL:** The information contained in this drawing is the sole property of Sun Valley Bronze. Any reproduction in part or as a whole without the written permission of Sun Valley Bronze is prohibited.

Revised 11/13/09

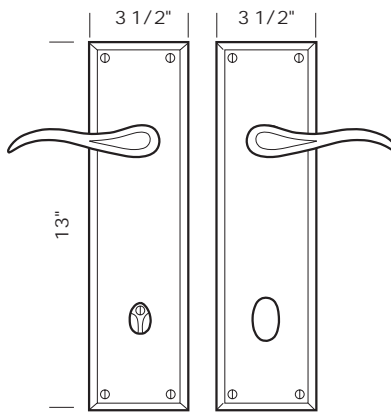


# 602-F602 PASSAGE LATCH/MORTISE BOLT PRIVACY SETS

Illustrations are for demonstration purposes only. Any lever or knob may be substituted for lever or knob shown.



CS-602PLMB  
-Complete set with passage latch,  
mortise bolt, and spindle.  
-Shown with L-108 lever.  
OR  
TS-602PLMB  
-Trim set only. No latch or mortise bolt



CS-F602PLMB  
-Complete set with passage latch,  
mortise bolt, and spindle.  
-Shown with L-101 lever.  
OR  
TS-F602PLMB  
-Trim set only. No latch or mortise bolt

## Complete sets with tubular passage latch, mortise bolt and spindle.

CS-602PLMB Privacy set (6" center to center spacing).  
3 1/2" x 13" escutcheon plate P-602MB-ERC.  
3 1/2" x 13" escutcheon plate P-602MB-TPC.

CS-F602PLMB Privacy set (6" center to center spacing).  
3 1/2" x 13" escutcheon plate PF-602MB-ERC.  
3 1/2" x 13" escutcheon plate PF-602MB-TPC.

2 3/8" or 2 3/4" backset standard. Please specify.  
Door handing required.  
Always specify lever/knob design.

## Trim sets for tubular passage latch, mortise bolt, with spindle, no latch or mortise bolt included.

TS-602PLMB Privacy set (6" center to center spacing).  
3 1/2" x 13" escutcheon plate P-602MB-ERC.  
3 1/2" x 13" escutcheon plate P-602MB-TPC.

TS-F602PLMB Privacy set (6" center to center spacing).  
3 1/2" x 13" escutcheon plate PF-602MB-ERC.  
3 1/2" x 13" escutcheon plate PF-602MB-TPC.

Specify manufacturer of latch and mortise bolt to be used.  
Door handing required.  
Always specify lever/knob design.

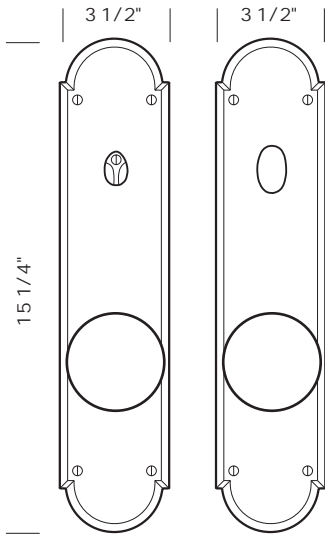
**PROPRIETARY AND CONFIDENTIAL:** The information contained in this drawing is the sole property of Sun Valley Bronze. Any reproduction in part or as a whole without the written permission of Sun Valley Bronze is prohibited.

Revised 11/13/09

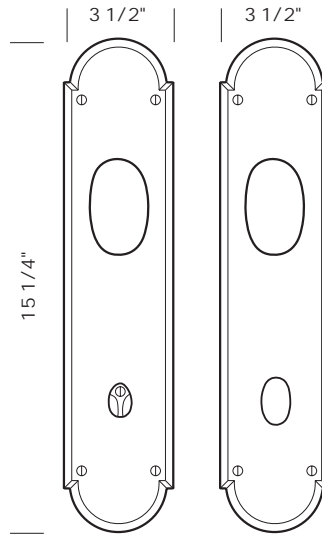


# A 602-FA 602 PASSAGE LATCH/MORTISE BOLT PRIVACY SETS

Illustrations are for demonstration purposes only. Any lever or knob may be substituted for lever or knob shown.



CS-A602PLMB  
 -Complete set with passage latch,  
 mortise bolt, and spindle.  
 -Shown with K-209 knob.  
 OR  
 TS-A602PLMB  
 -Trim set only. No latch or mortise bolt



CS-FA 602PLMB  
 -Complete set with passage latch,  
 mortise bolt, and spindle.  
 -Shown with K-207 knob.  
 OR  
 TS-FA 602PLMB  
 -Trim set only. No latch or mortise bolt

## Complete sets with tubular passage latch, mortise bolt and spindle.

CS-A602PLMB Privacy set (6" center to center spacing).  
 3 1/2" x 15 1/4" escutcheon plate PA 602MB-ERC.  
 3 1/2" x 15 1/4" escutcheon plate PA 602MB-TPC.

CS-FA 602PLMB Privacy set (6" center to center spacing).  
 3 1/2" x 15 1/4" escutcheon plate P-FA 602MB-ERC.  
 3 1/2" x 15 1/4" escutcheon plate P-FA 602MB-TPC.

2 3/8" or 2 3/4" backset standard. Please specify.  
 Door handing required.  
 Always specify lever/knob design.

## Trim sets for tubular passage latch, mortise bolt, with spindle, no latch or mortise bolt included.

TS-A602PLMB Privacy set (6" center to center spacing).  
 3 1/2" x 15 1/4" escutcheon plate PA 602MB-ERC.  
 3 1/2" x 15 1/4" escutcheon plate PA 602MB-TPC.

TS-FA 602PLMB Privacy set (6" center to center spacing).  
 3 1/2" x 15 1/4" escutcheon plate PA 602MB-ERC.  
 3 1/2" x 15 1/4" escutcheon plate PA 602MB-TPC.

Specify manufacturer of latch and mortise bolt to be used.  
 Door handing required.  
 Always specify lever/knob design.

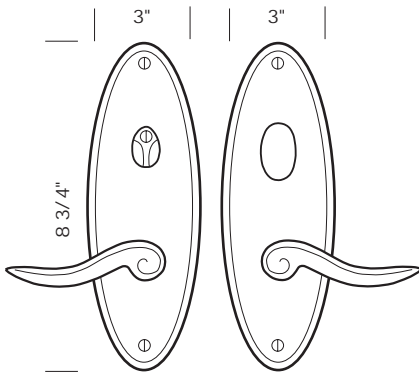
**PROPRIETARY AND CONFIDENTIAL:** The information contained in this drawing is the sole property of Sun Valley Bronze. Any reproduction in part or as a whole without the written permission of Sun Valley Bronze is prohibited. Revised 11/13/09

SUN VALLEY BRONZE

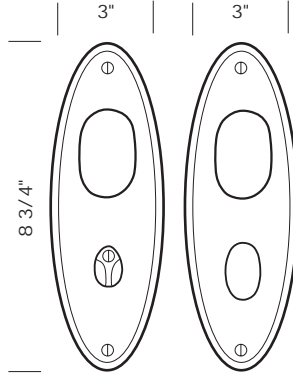


# OP700 PASSAGE LATCH/MORTISE BOLT PRIVACY SETS

Illustrations are for demonstration purposes only. Any lever or knob may be substituted for lever or knob shown.



CS-OP700PLMB  
-Complete set with passage latch,  
mortise bolt, and spindle.  
-Shown with L-114 lever.  
OR  
TS-OP700PLMB  
-Trim set only. No latch or mortise bolt



CS-FO P700PLMB  
-Complete set with passage latch,  
mortise bolt, and spindle.  
-Shown with K-203 knob.  
OR  
TS-FO P700PLMB  
-Trim set only. No latch or mortise bolt

## Complete sets with tubular passage latch, mortise bolt and spindle.

CS-OP700PLMB Privacy set (3 1/2" center to center spacing).  
3" x 8 3/4" escutcheon plate P-O P700MB-ERC.  
3" x 8 3/4" escutcheon plate P-O P700MB-TPC.

CS-FOP700PLMB Privacy set (3 1/2" center to center spacing).  
3" x 8 3/4" escutcheon plate P-FO P700MB-ERC.  
3" x 8 3/4" escutcheon plate P-FO P700MB-TPC.

2 3/8" or 2 3/4" backset standard. Please specify.

Door handing required.

Always specify lever/knob design.

\*Will not cover 2 1/8" bore.

## Trim sets for tubular passage latch, mortise bolt, with spindle, no latch or mortise bolt included.

TS-OP700PLMB Privacy set (3 1/2" center to center spacing).  
3" x 8 3/4" escutcheon plate P-O P700MB-ERC.  
3" x 8 3/4" escutcheon plate P-O P700MB-TPC.

TS-FO P700PLMB Privacy set (3 1/2" center to center spacing).  
3" x 8 3/4" escutcheon plate P-FO P700MB-ERC.  
3" x 8 3/4" escutcheon plate P-FO P700MB-TPC.

Specify manufacturer of latch and mortise bolt to be used.

Door handing required.

Always specify lever/knob design.

\*Will not cover 2 1/8" bore.

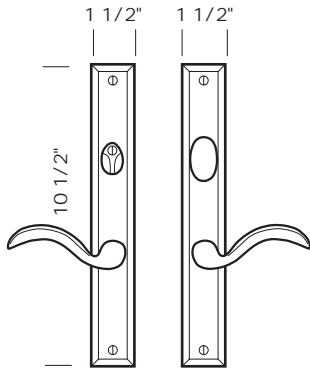
**PROPRIETARY AND CONFIDENTIAL:** The information contained in this drawing is the sole property of Sun Valley Bronze. Any reproduction in part or as a whole without the written permission of Sun Valley Bronze is prohibited.

Revised 11/13/09

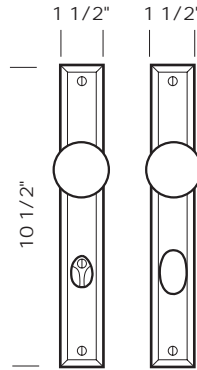


# 811-F811 PASSAGE LATCH/MORTISE BOLT PRIVACY SETS

Illustrations are for demonstration purposes only. Any lever or knob may be substituted for lever or knob shown.



CS-811PLMB  
 -Complete set with passage latch,  
 mortise bolt and spindle.  
 -Shown with L-102 lever.  
 OR  
 TS-811PLMB  
 -Trim set only. No latch or mortise bolt



CS-F811PLMB  
 -Complete set with passage latch,  
 mortise bolt and spindle.  
 -Shown with K-202 knob.  
 OR  
 TS-F811PLMB  
 -Trim set only. No latch or mortise bolt

## Complete sets with tubular passage latch, mortise bolt and spindle.

CS-811PLMB Privacy set (3 1/2" center to center spacing).\*  
 1 1/2" x 10 1/2" escutcheon plate P-811MB-ERC.  
 1 1/2" x 10 1/2" escutcheon plate P-811MB-TPC.

CS-F811PLMB Privacy set (3 1/2" center to center spacing).\*  
 1 1/2" x 10 1/2" escutcheon plate PF811MB-ERC.  
 1 1/2" x 10 1/2" escutcheon plate PF811MB-TPC.

2 3/8" or 2 3/4" backset standard. Please specify.

Door handing required.

Always specify lever/knob design.

\*Will not cover 2 1/8" bore.

## Trim sets for tubular passage latch, mortise bolt, with spindle, no latch or mortise bolt included.

TS-811PLMB Privacy set (3 1/2" center to center spacing).\*  
 1 1/2" x 10 1/2" escutcheon plate P-811MB-ERC.  
 1 1/2" x 10 1/2" escutcheon plate P-811MB-TPC.

TS-F811PLMB Privacy set (3 1/2" center to center spacing).\*  
 1 1/2" x 10 1/2" escutcheon plate PF811MB-ERC.  
 1 1/2" x 10 1/2" escutcheon plate PF811MB-TPC.

Specify manufacturer of latch and mortise bolt to be used.

Door handing required.

Always specify lever/knob design.

\*Will not cover 2 1/8" bore.

**PROPRIETARY AND CONFIDENTIAL:** The information contained in this drawing is the sole property of Sun Valley Bronze. Any reproduction in part or as a whole without the written permission of Sun Valley Bronze is prohibited. Revised 11/13/09



# A811-FA811 PASSAGE LATCH/MORTISE BOLT PRIVACY SETS

Illustrations are for demonstration purposes only. Any lever or knob may be substituted for lever or knob shown.



CS-A811PLMB  
 -Complete set with passage latch,  
 mortise bolt, and spindle.  
 Shown with K-203 knob.  
 OR  
 TS-A811PLMB  
 -Trim set only. No latch or mortise bolt

CS-FA811PLMB  
 -Complete set with passage latch,  
 mortise bolt, and spindle.  
 Shown with L-105 lever.  
 OR  
 TS-FA811PLMB  
 -Trim set only. No latch or mortise bolt

## Complete sets with tubular passage latch, mortise bolt and spindle.

CS-A811PLMB Privacy set (3 1/2" center to center spacing).\*  
 1 1/2" x 10 1/2" escutcheon plate PA811MB-ERC.  
 1 1/2" x 10 1/2" escutcheon plate PA811MB-TPC.

CS-FA811PLMB Privacy set (3 1/2" center to center spacing).\*  
 1 1/2" x 10 1/2" escutcheon plate PFA811MB-ERC.  
 1 1/2" x 10 1/2" escutcheon plate PFA811MB-TPC.

2 3/8" or 2 3/4" backset standard. Please specify.

Door handing required.

Always specify lever/knob design.

\*Will not cover 2 1/8" bore.

## Trim sets for tubular passage latch, mortise bolt, with spindle, no latch or mortise bolt included.

TS-A811PLMB Privacy set (3 1/2" center to center spacing).\*  
 1 1/2" x 10 1/2" escutcheon plate PA811MB-ERC.  
 1 1/2" x 10 1/2" escutcheon plate PA811MB-TPC.

TS-FA811PLMB Privacy set (3 1/2" center to center spacing).\*  
 1 1/2" x 10 1/2" escutcheon plate PFA811MB-ERC.  
 1 1/2" x 10 1/2" escutcheon plate PFA811MB-TPC.

Specify manufacturer of latch and mortise bolt to be used.

Door handing required.

Always specify lever/knob design.

\*Will not cover 2 1/8" bore.

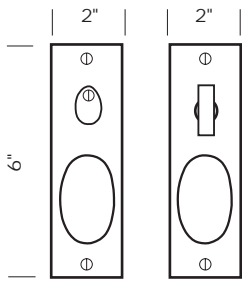
**PROPRIETARY AND CONFIDENTIAL:** The information contained in this drawing is the sole property of Sun Valley Bronze. Any reproduction in part or as a whole without the written permission of Sun Valley Bronze is prohibited.

Revised 11/13/09

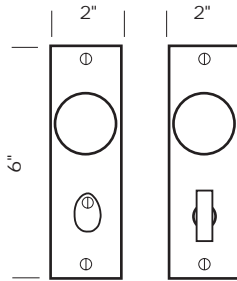


# 949-F949 PASSAGE LATCH/MORTISE BOLT PRIVACY SETS

Illustrations are for demonstration purposes only. Any lever or knob may be substituted for lever or knob shown.



CS-949PLMB  
 -Complete set with passage latch,  
 mortise bolt, and spindle.  
 -Shown with K-206 knob.  
 OR  
 TS-949PLMB  
 -Trim set only. No latch or mortise bolt



CS-F949PLMB  
 -Complete set with passage latch,  
 mortise bolt, and spindle.  
 -Shown with K-202 knob.  
 OR  
 TS-F949PLMB  
 -Trim set only. No latch or mortise bolt

## Complete sets with tubular passage latch, mortise bolt and spindle.

CS-949PLMB Privacy set (2 1/4" center to center spacing).\*  
 2" x 6" escutcheon plate P-949MB-ERC.  
 2" x 6" escutcheon plate P-949MB-TPC.  
 Combination strike required.

CS-F949PLMB Privacy set (2 1/4" center to center spacing).\*  
 2" x 6" escutcheon plate PF949MB-ERC.  
 2" x 6" escutcheon plate PF949MB-TPC.  
 Combination strike required.

2 3/8" or 2 3/4" backset standard. Please specify.

Door handing required.

Always specify lever/knob design.

\*Will not cover 2 1/8" bore.

## Trim sets for tubular passage latch, mortise bolt, with spindle, no latch or mortise bolt included.

TS-949PLMB Privacy set (2 1/4" center to center spacing).\*  
 2" x 6" escutcheon plate P-949MB-ERC.  
 2" x 6" escutcheon plate P-949MB-TPC.  
 Combination strike required.

TS-F949PLMB Privacy set (2 1/4" center to center spacing).\*  
 2" x 6" escutcheon plate PF949MB-ERC.  
 2" x 6" escutcheon plate PF949MB-TPC.  
 Combination strike required.

Specify manufacturer of latch and mortise bolt to be used.

Door handing required.

Always specify lever/knob design.

\*Will not cover 2 1/8" bore.

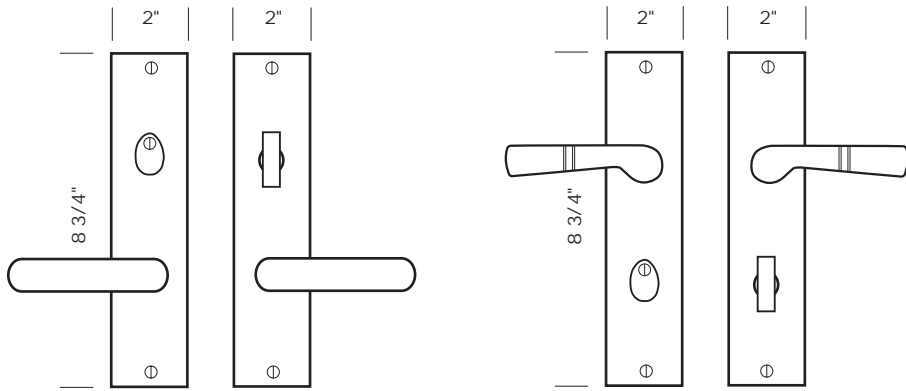
**PROPRIETARY AND CONFIDENTIAL:** The information contained in this drawing is the sole property of Sun Valley Bronze. Any reproduction in part or as a whole without the written permission of Sun Valley Bronze is prohibited.

Revised 11/13/09



# 950-F950 PASSAGE LATCH/MORTISE BOLT PRIVACY SETS

Illustrations are for demonstration purposes only. Any lever or knob may be substituted for lever or knob shown.



CS-950PLMB  
 -Complete set with passage latch,  
 mortise bolt, and spindle.  
 -Shown with L-111 lever.  
 OR  
 TS-950PLMB  
 -Trim set only. No latch or mortise bolt

CS-F950PLMB  
 -Complete set with passage latch,  
 mortise bolt, and spindle.  
 -Shown with L-109 lever.  
 OR  
 TS-F950PLMB  
 -Trim set only. No latch or mortise bolt

## Complete sets with tubular passage latch, mortise bolt and spindle.

CS-950PLMB Privacy set (3 1/2" center to center spacing).\*  
 2" x 8 3/4" escutcheon plate P-950MB-ERC.  
 2" x 8 3/4" escutcheon plate P-950MB-TPC.

CS-F950PLMB Privacy set (3 1/2" center to center spacing).\*  
 2" x 8 3/4" escutcheon plate PF950MB-ERC.  
 2" x 8 3/4" escutcheon plate PF950MB-TPC.

2 3/8" or 2 3/4" backset standard. Please specify.

Door handing required.

Always specify lever/knob design.

\*Will not cover 2 1/8" bore.

## Trim sets for tubular passage latch, mortise bolt, with spindle, no latch or mortise bolt included.

TS-950PLMB Privacy set (3 1/2" center to center spacing).\*  
 2" x 8 3/4" escutcheon plate P-950MB-ERC.  
 2" x 8 3/4" escutcheon plate P-950MB-TPC.

TS-F950PLMB Privacy set (3 1/2" center to center spacing).\*  
 2" x 8 3/4" escutcheon plate PF950MB-ERC.  
 2" x 8 3/4" escutcheon plate PF950MB-TPC.

Specify manufacturer of latch and mortise bolt to be used.

Door handing required.

Always specify lever/knob design.

\*Will not cover 2 1/8" bore.

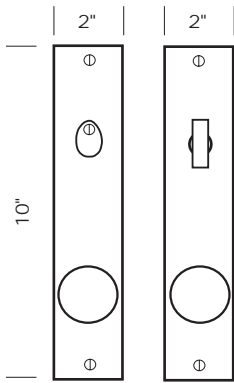
**PROPRIETARY AND CONFIDENTIAL:** The information contained in this drawing is the sole property of Sun Valley Bronze. Any reproduction in part or as a whole without the written permission of Sun Valley Bronze is prohibited.

Revised 11/13/09

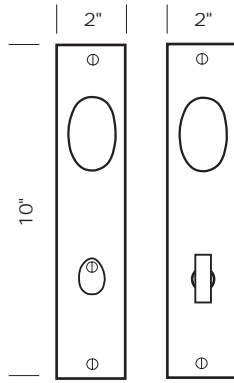


# 951-F951 PASSAGE LATCH/MORTISE BOLT PRIVACY SETS

Illustrations are for demonstration purposes only. Any lever or knob may be substituted for lever or knob shown.



CS-951 PLMB  
-Complete set with passage latch,  
mortise bolt and spindle.  
-Shown with K-202 knob.  
OR  
TS-951 PLMB  
-Trim set only. No latch or mortise bolt



CS-F951 PLMB  
-Complete set with passage latch,  
mortise bolt and spindle.  
-Shown with K-206 knob.  
OR  
TS-F951 PLMB  
-Trim set only. No latch or mortise bolt

## Complete sets with tubular passage latch, mortise bolt and spindle.

CS-951 PLMB Privacy set (4 1/2" center to center spacing). \*  
2" x 10" escutcheon plate P-951MB-ERC.  
2" x 10" escutcheon plate P-951MB-TPC.

CS-F951 PLMB Privacy set (4 1/2" center to center spacing). \*  
2" x 10" escutcheon plate PF951MB-ERC.  
2" x 10" escutcheon plate PF951MB-TPC.

2 3/8" or 2 3/4" backset standard. Please specify.

Door handing required.

Always specify lever/knob design.

\*Will not cover 2 1/8" bore.

## Trim sets for tubular passage latch, mortise bolt, with spindle, no latch or mortise bolt included.

TS-951 PLMB Privacy set (4 1/2" center to center spacing). \*  
2" x 10" escutcheon plate P-951MB-ERC.  
2" x 10" escutcheon plate P-951MB-TPC.

TS-F951 PLMB Privacy set (4 1/2" center to center spacing). \*  
2" x 10" escutcheon plate PF951MB-ERC.  
2" x 10" escutcheon plate PF951MB-TPC.

Specify manufacturer of latch and mortise bolt to be used.

Door handing required.

Always specify lever/knob design.

\*Will not cover 2 1/8" bore.

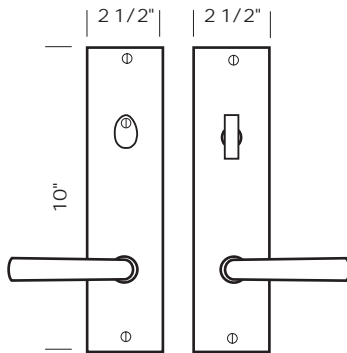
**PROPRIETARY AND CONFIDENTIAL:** The information contained in this drawing is the sole property of Sun Valley Bronze. Any reproduction in part or as a whole without the written permission of Sun Valley Bronze is prohibited.

Revised 11/13/09

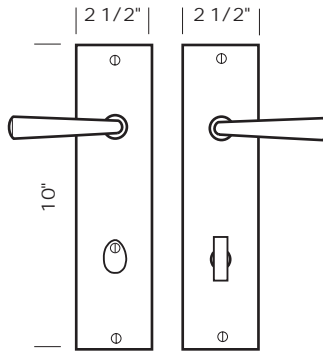


# 952-F952 PASSAGE LATCH/MORTISE BOLT PRIVACY SETS

Illustrations are for demonstration purposes only. Any lever or knob may be substituted for lever or knob shown.



CS-952PLMB  
 -Complete set with passage latch,  
 mortise bolt, and spindle.  
 -Shown with L-112 lever.  
 OR  
 -Trim set only. No latch or mortise bolt



CS-F952PLMB  
 -Complete set with passage latch,  
 mortise bolt, and spindle.  
 -Shown with L-113 lever.  
 OR  
 TS-F952PLMB  
 -Trim set only. No latch or mortise bolt

## Complete sets with tubular passage latch, mortise bolt and spindle.

CS-952PLMB Privacy set (4 1/2" center to center spacing).  
 2 1/2" x 10" escutcheon plate P-952MB-ERC.  
 2 1/2" x 10" escutcheon plate P-952MB-TPC.

CS-F952PLMB Privacy set (4 1/2" center to center spacing).  
 2 1/2" x 10" escutcheon plate PF952MB-ERC.  
 2 1/2" x 10" escutcheon plate PF952MB-TPC.

2 3/8" or 2 3/4" backset standard. Please specify.  
 Door handing required.  
 Always specify lever/knob design

## Trim sets for tubular passage latch, mortise bolt, with spindle, no latch or mortise bolt included.

TS-952PLMB Privacy set (4 1/2" center to center spacing).  
 2 1/2" x 10" escutcheon plate P-952MB-ERC.  
 2 1/2" x 10" escutcheon plate P-952MB-TPC.

TS-F952PLMB Privacy set (4 1/2" center to center spacing).  
 2 1/2" x 10" escutcheon plate PF952MB-ERC.  
 2 1/2" x 10" escutcheon plate PF952MB-TPC.

Specify manufacturer of latch and mortise bolt to be used.  
 Door handing required.  
 Always specify lever/knob design.

**PROPRIETARY AND CONFIDENTIAL:** The information contained in this drawing is the sole property of Sun Valley Bronze. Any reproduction in part or as a whole without the written permission of Sun Valley Bronze is prohibited.

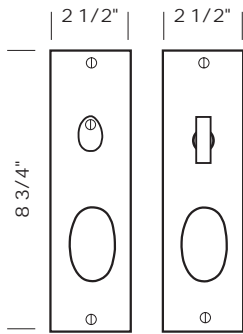
Revised 11/13/09

SUN VALLEY BRONZE

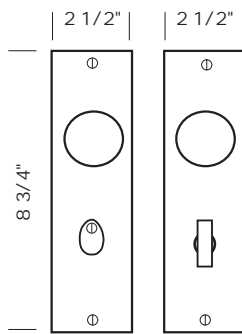


# 953-F953 PASSAGE LATCH/MORTISE BOLT PRIVACY SETS

Illustrations are for demonstration purposes only. Any lever or knob may be substituted for lever or knob shown.



CS-953PLMB  
 -Complete set with passage latch,  
 mortise bolt, and spindle.  
 Shown with K-206 knob.  
 OR  
 TS-953PLMB  
 -Trim set only. No latch or mortise bolt



CS-F953PLMB  
 -Complete set with passage latch,  
 mortise bolt, and spindle.  
 Shown with K-202 knob.  
 OR  
 TS-F953PLMB  
 -Trim set only. No latch or mortise bolt

## Complete sets with tubular passage latch, mortise bolt and spindle.

CS-953PLMB Privacy set (3 1/2" center to center spacing).  
 2 1/2" x 8 3/4" escutcheon plate P-953MB-ERC.  
 2 1/2" x 8 3/4" escutcheon plate P-953MB-TPC.

CS-F953PLMB Privacy set (3 1/2" center to center spacing).  
 2 1/2" x 8 3/4" escutcheon plate PF953MB-ERC.  
 2 1/2" x 8 3/4" escutcheon plate PF953MB-TPC.

2 3/8" or 2 3/4" backset standard. Please specify.  
 Door handing required.  
 Always specify lever/knob design.

## Trim sets for tubular passage latch, mortise bolt, with spindle, no latch or mortise bolt included.

TS-953PLMB Privacy set (3 1/2" center to center spacing).  
 2 1/2" x 8 3/4" escutcheon plate P-953MB-ERC.  
 2 1/2" x 8 3/4" escutcheon plate P-953MB-TPC

TS-F953PLMB Privacy set (3 1/2" center to center spacing).  
 2 1/2" x 8 3/4" escutcheon plate PF953MB-ERC.  
 2 1/2" x 8 3/4" escutcheon plate PF953MB-TPC.

Specify manufacturer of latch and mortise bolt to be used.  
 Door handing required.  
 Always specify lever/knob design.

**PROPRIETARY AND CONFIDENTIAL:** The information contained in this drawing is the sole property of Sun Valley Bronze. Any reproduction in part or as a whole without the written permission of Sun Valley Bronze is prohibited.

Revised 11/13/09

























































