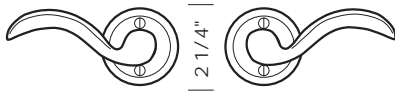
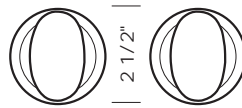


ROUND TUBULAR LATCH SETS

Illustrations are for demonstration purposes only. Any lever or knob may be substituted for lever or knob shown.



CS-RP225
-Complete set with latch and spindle.
-Shown with L-102 lever.
OR
TS-RP225
-Trim set only. No latch.



CS-RP402
-Complete set with latch and spindle.
-Shown with K-206 knob.
OR
TS-RP402
-Trim set only. No latch.

Complete sets with tubular latch and spindle.

CS-RP225	Passage set with 2 1/4" round escutcheon plates RP-225.
CS-RP225-PR	Privacy set
TS-RP225-FD	Full dummy.
TS-RP225HD	Half dummy.

CS-RP402	Passage set with 2 1/2" round escutcheon plates RP-402.
CS-RP402-PR	Privacy set
TS-RP402-FD	Full dummy.
TS-RP402-HD	Half dummy.

2 3/8" or 2 3/4" backset standard. Please specify.
Always specify lever/knob design.

Trim sets for tubular latch with spindle, no latch included.

TS-RP225	Passage set with 2 1/4" round escutcheon plates RP-225.
TS-RP225-PR	Privacy set
TS-RP225-FD	Full dummy.
TS-RP225HD	Half dummy.

TS-RP402	Passage set with 2 1/2" round escutcheon plates RP-402.
TS-RP402-PR	Privacy set
TS-RP402-FD	Full dummy.
TS-RP402-HD	Half dummy.

Specify manufacturer, model number, and function of latch to be used.
Always specify lever/knob design.

SUN VALLEY BRONZE

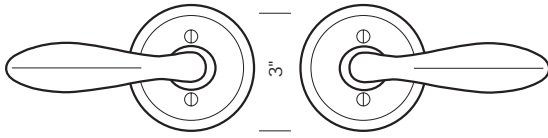
PROPRIETARY AND CONFIDENTIAL: The information contained in this drawing is the sole property of Sun Valley Bronze. Any reproduction in part or as a whole without the written permission of Sun Valley Bronze is prohibited.

Revised 02/02/11

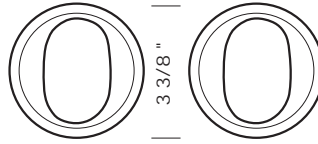


ROUND TUBULAR LATCH SETS

Illustrations are for demonstration purposes only. Any lever or knob may be substituted for lever or knob shown.



CS-RP403
 -Complete set with latch and spindle.
 -Shown with L-116 lever.
 OR
 TS-RP403
 -Trim set only. No latch.



CS-RP404
 -Complete set with latch and spindle.
 -Shown with K-203 knob.
 OR
 TS-RP404
 -Trim set only. No latch.

Complete sets with tubular latch and spindle.

CS-RP403	Passage set with 3" round escutcheon plates RP-403.
CS-RP403PR	Privacy set
TS-RP403FD	Full dummy.
TS-RP403HD	Half dummy.

CS-RP404	Passage set with 3 3/8" round escutcheon plates RP-404.
CS-RP404PR	Privacy set
TS-RP404FD	Full dummy.
TS-RP404HD	Half dummy.

2 3/8" or 2 3/4" backset standard. Please specify.
 Always specify lever/knob design.

Trim sets for tubular latch with spindle, no latch included.

TS-RP403	Passage set with 3" round escutcheon plates RP-403.
TS-RP403PR	Privacy set
TS-RP403FD	Full dummy.
TS-RP403HD	Half dummy.

TS-RP404	Passage set with 3 3/8" round escutcheon plates RP-404.
TS-RP404PR	Privacy set
TS-RP404FD	Full dummy.
TS-RP404HD	Half dummy.

Specify manufacturer, model number, and function of latch to be used.
 Always specify lever/knob design.

SUN VALLEY BRONZE

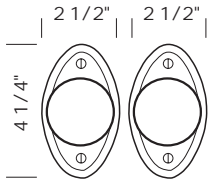
PROPRIETARY AND CONFIDENTIAL: The information contained in this drawing is the sole property of Sun Valley Bronze. Any reproduction in part or as a whole without the written permission of Sun Valley Bronze is prohibited.

Revised 02/02/11

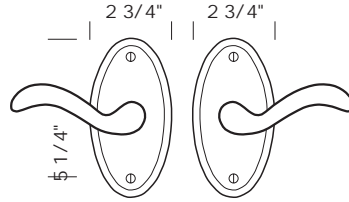


OVAL TUBULAR LATCH SETS

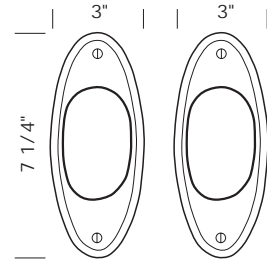
Illustrations are for demonstration purposes only. Any lever or knob may be substituted for lever or knob shown.



CS-O P400
-Complete set with latch and spindle.
-Shown with K-201.
OR
TS-O P400
-Trim set only. No latch.



CS-O P500
-Complete set with latch and spindle.
-Shown with L-103 lever.
OR
TS-O P500
-Trim set only. No latch.



CS-OP600
-Complete set with latch and spindle.
-Shown with K-205.
OR
TS-OP600
-Trim set only. No latch.

Complete sets with tubular latch and spindle.

CS-O P400 Passage set with 2 1/2" x 4 1/4" oval escutcheon plates P-O P400.
CS-O P400PR Privacy set
TS-O P400FD Full dummy.
TS-O P400HD Half dummy.

CS-O P500 Passage set with 2 3/4" x 5 1/4" oval escutcheon plates P-O P500.
CS-O P500PR Privacy set
TS-O P500FD Full dummy.
TS-O P500HD Half dummy.

CS-OP600 Passage set with 3" x 7 1/4" oval escutcheon plates P-O P600.
CS-OP600PR Privacy set
TS-O P600FD Full dummy.
TS-OP600HD Half dummy.

2 3/8" or 2 3/4" backset standard. Please specify.
Always specify lever/knob design.

Trim sets for tubular latch with spindle, no latch included.

TS-O P400 Passage set with 2 1/2" x 4 1/4" oval escutcheon plates P-O P400.
TS-O P400PR Privacy set
TS-O P400FD Full dummy.
TS-O P400HD Half dummy.

TS-O P500 Passage set with 2 3/4" x 5 1/4" oval escutcheon plates P-O P500.
TS-O P500PR Privacy set
TS-O P500FD Full dummy.
TS-O P500HD Half dummy.

TS-OP600 Passage set with 3" x 7 1/4" oval escutcheon plates P-O P600.
TS-OP600PR Privacy set
TS-O P600FD Full dummy.
TS-OP600HD Half dummy.

Specify manufacturer, model number, and function of latch to be used.
Always specify lever/knob design.

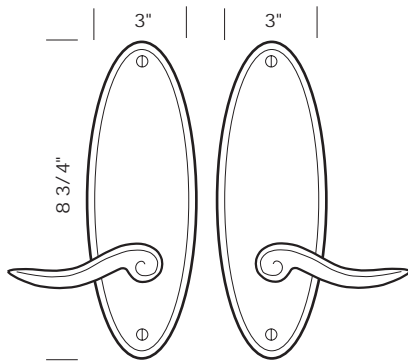
PROPRIETARY AND CONFIDENTIAL: The information contained in this drawing is the sole property of Sun Valley Bronze. Any reproduction in part or as a whole without the written permission of Sun Valley Bronze is prohibited.

Revised 02/02/11

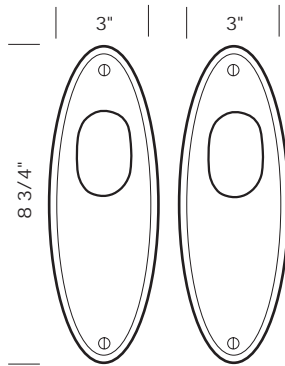


OVAL TUBULAR LATCH SETS

Illustrations are for demonstration purposes only. Any lever or knob may be substituted for lever or knob shown.



CS-OP700
-Complete set with latch and spindle.
-Shown with L-114 lever.
OR
TS-OP700
-Trim set only. No latch.



CS-FOP700
-Complete set with latch and spindle.
-Shown with K-203 knob.
OR
TS-FOP700
-Trim set only. No latch.

Complete sets with tubular latch and spindle.

CS-OP700	Passage set with 3" x 8 3/4" escutcheon plates P-OP700.
CS-OP700PR	Privacy set
TS-OP700FD	Full dummy.
TS-OP700HD	Half dummy.

CS-FOP700	Passage set with 3" x 8 3/4" escutcheon plates P-FOP700.
CS-FOP700PR	Privacy set
TS-FOP700FD	Full dummy.
TS-FOP700HD	Half dummy.

2 3/8" or 2 3/4" backset standard. Please specify.
Always specify lever/knob design.

Trim sets for tubular latch with spindle, no latch included.

TS-OP700	Passage set with 3 x 8 3/4" escutcheon plates P-OP700.
TS-OP700PR	Privacy set
TS-OP700FD	Full dummy.
TS-OP700HD	Half dummy.

TS-FOP700	Passage set with 3" x 8 3/4" escutcheon plates P-FOP700.
TS-FOP700PR	Privacy set
TS-FOP700FD	Full dummy.
TS-FOP700HD	Half dummy.

Specify manufacturer, model number, and function of latch to be used.
Always specify lever/knob design.

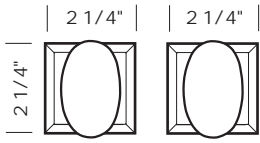
PROPRIETARY AND CONFIDENTIAL: The information contained in this drawing is the sole property of Sun Valley Bronze. Any reproduction in part or as a whole without the written permission of Sun Valley Bronze is prohibited.

Revised 02/02/11

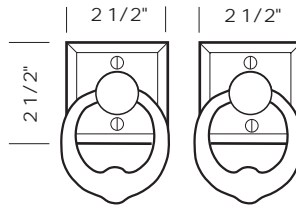


225 & 402 TUBULAR LATCH SETS

Illustrations are for demonstration purposes only. Any lever or knob may be substituted for lever or knob shown.



CS-225
 -Complete set with latch and spindle.
 -Shown with K-206 knob.
 OR
 TS-225
 -Trim set only. No latch.



CS-402
 -Complete set with latch and spindle.
 -Shown with K-210 knob.
 OR
 TS-402
 -Trim set only. No latch.

Complete sets with tubular latch and spindle.

CS-225	Passage set with 2 1/4" square escutcheon plates P-225.
CS-225PR	Privacy set
TS-225FD	Full dummy.
TS-225HD	Half dummy.
CS-402	Passage set with 2 1/2" square escutcheon plates P-402.
CS-402PR	Privacy set
TS-402FD	Full dummy.
TS-402HD	Half dummy.

2 3/8" or 2 3/4" backset standard. Please specify.
 Always specify lever/knob design.

Trim sets for tubular latch with spindle, no latch included.

TS-225	Passage set with 2 1/4" square escutcheon plates P-225.
TS-225PR	Privacy set
TS-225FD	Full dummy.
TS-225HD	Half dummy.
TS-402DI	Passage set with 2 1/2" square escutcheon plates P-402DI.
TS-402DI-PR	Privacy set
TS-402DI-FD	Full dummy.
TS-402DI-HD	Half dummy.

Specify manufacturer, model number, and function of latch to be used.
 Always specify lever/knob design.

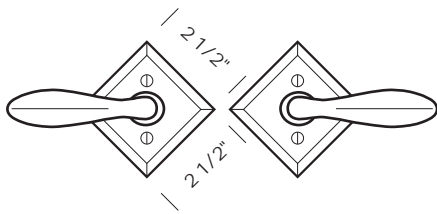
PROPRIETARY AND CONFIDENTIAL: The information contained in this drawing is the sole property of Sun Valley Bronze. Any reproduction in part or as a whole without the written permission of Sun Valley Bronze is prohibited.

Revised 02/02/11

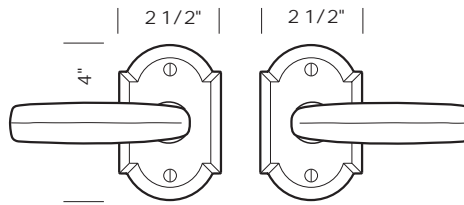


402DI & A 402 TUBULAR LATCH SETS

Illustrations are for demonstration purposes only. Any lever or knob may be substituted for lever or knob shown.



CS-402DI
 -Complete set with latch and spindle.
 -Shown with L-116 lever.
 OR
 TS-402DI
 -Trim set only. No latch.



CSA 402
 -Complete set with latch and spindle.
 -Shown with L-104 lever.
 OR
 TSA 402
 -Trim set only. No latch.

Complete sets with tubular latch and spindle.

CS-402DI	Passage set with 2 1/2" diamond escutcheon plates P402DI.
CS-402DI-PR	Privacy set
TS-402DI-FD	Full dummy.
TS-402DI-HD	Half dummy.

CSA 402	Passage set with 2 1/2" x 4" escutcheon plates.
CSA 402PR	Privacy set
TSA 402FD	Full dummy.
TSA 402HD	Half dummy.

2 3/8" or 2 3/4" backset standard. Please specify.
 Always specify lever/knob design.

Trim sets for tubular latch with spindle, no latch included.

TS-402DI	Passage set with 2 1/2" diamond escutcheon plates P402DI.
TS-402DI-PR	Privacy set
TS-402DI-FD	Full dummy.
TS-402DI-HD	Half dummy.

TSA 402	Passage set with 2 1/2" x 4" escutcheon plates.
TSA 402PR	Privacy set
TSA 402FD	Full dummy.
TSA 402HD	Half dummy.

Specify manufacturer, model number, and function of latch to be used.
 Always specify lever/knob design.

SUN VALLEY BRONZE

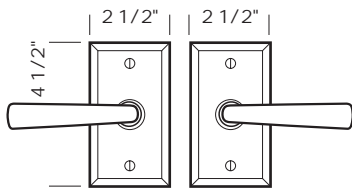
PROPRIETARY AND CONFIDENTIAL: The information contained in this drawing is the sole property of Sun Valley Bronze. Any reproduction in part or as a whole without the written permission of Sun Valley Bronze is prohibited.

Revised 02/02/11

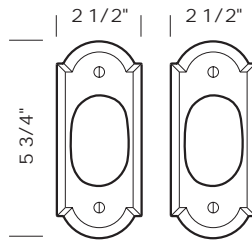


404 & A 404 TUBULAR LATCH SETS

Illustrations are for demonstration purposes only. Any lever or knob may be substituted for lever or knob shown.



CS-404
-Complete set with latch and spindle.
-Shown with L-106 lever.
OR
TS-404
-Trim set only. No latch.



CSA-404
-Complete set with latch and spindle.
-Shown with K-203 knob.
OR
TS-A-404
-Trim set only. No latch.

Complete sets with tubular latch and spindle.

CS-404	Passage set with 2 1/2" x 4 1/2" escutcheon plates P-404.
CS-404PR	Privacy set
TS-404FD	Full dummy.
TS-404HD	Half dummy.

CSA-404	Passage set with 2 1/2" x 5 3/4" escutcheon plates PA-404.
CSA-404PR	Privacy set
TSA-404FD	Full dummy.
TSA-404HD	Half dummy.

2 3/8" or 2 3/4" backset standard. Please specify.
Always specify lever/knob design.

Trim sets for tubular latch with spindle, no latch included.

TS-404	Passage set with 2 1/2" x 4 1/2" escutcheon plates P-404.
TS-404PR	Privacy set
TS-404FD	Full dummy.
TS-404HD	Half dummy.

TSA-404	Passage set with 2 1/2" x 5 3/4" escutcheon plates PA-404.
TSA-404PR	Privacy set
TSA-404FD	Full dummy.
TSA-404HD	Half dummy.

Specify manufacturer, model number, and function of latch to be used.
Always specify lever/knob design.

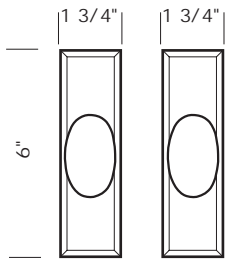
SUN VALLEY BRONZE

PROPRIETARY AND CONFIDENTIAL: The information contained in this drawing is the sole property of Sun Valley Bronze. Any reproduction in part or as a whole without the written permission of Sun Valley Bronze is prohibited.

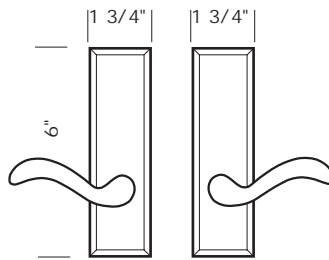
Revised 02/02/11



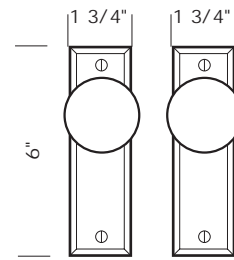
Illustrations are for demonstration purposes only. Any lever or knob may be substituted for lever or knob shown.



CS-405
-Complete set with latch and spindle.
-Shown with K-206 knob.
OR
TS-405
-Trim set only. No latch.



CS-4050H
-Complete set with latch and spindle.
-Shown with L-103 lever.
OR
TS-4050H
-Trim set only. No latch.



CS-F4050H
-Complete set with latch and spindle.
-Shown with K-201 knob.
OR
TS-F405
-Trim set only. No latch.

Complete sets with tubular latch and spindle.

CS-405 Passage set with 1 3/4" x 6" escutcheon plates P-405. *
TS-405FD Full dummy.
TS-405HD Half dummy.

CS-4050H Passage set with 1 3/4" x 6" escutcheon plates P-4050H *
TS-4050H-FD Full dummy.
TS-4050H-HD Half dummy.

CS-F4050H Passage set with 1 3/4" x 6" escutcheon plates P-F4050H. *
TS-F4050H-FD Full dummy.
TS-F4050H-HD Half dummy.

2 3/8" or 2 3/4" backset standard. Please specify.

Always specify lever/knob design.

* Will not cover 2 1/8" bore.

* Push pin privacy function not available for escutcheons 2" wide or less.

Trim sets for tubular latch with spindle, no latch included.

TS-405 Passage set with 1 3/4" x 6" escutcheon plates P-405. *
TS-405FD Full dummy.
TS-405HD Half dummy.

TS-4050H Passage set with 1 3/4" x 6" escutcheon plates P-4050H. *
TS-4050H-FD Full dummy.
TS-4050H-HD Half dummy.

TS-F4050H Passage set with 1 3/4" x 6" escutcheon plates P-F4050H. *
TS-F4050H-FD Full dummy.
TS-F4050H-HD Half dummy.

Specify manufacturer, model number, and function of latch to be used.

Always specify lever/ knob design.

* Will not cover 2 1/8" bore.

* Push pin privacy function not available for escutcheons 2" wide or less.

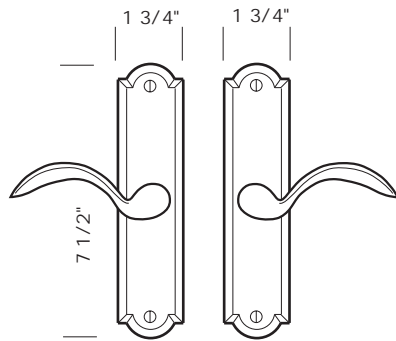
PROPRIETARY AND CONFIDENTIAL: The information contained in this drawing is the sole property of Sun Valley Bronze. Any reproduction in part or as a whole without the written permission of Sun Valley Bronze is prohibited.

Revised 02/02/11

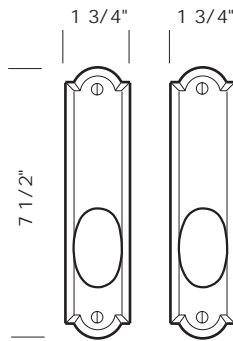


A 405 TUBULAR LATCH SETS

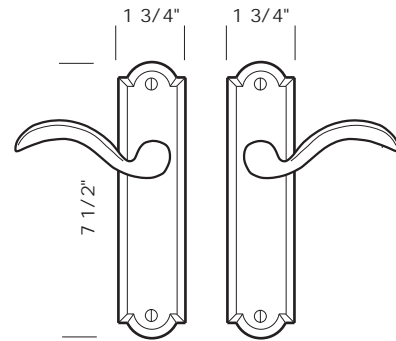
Illustrations are for demonstration purposes only. Any lever or knob may be substituted for lever or knob shown.



CSA 405
-Complete set with latch and spindle.
-Shown with L-105 lever.
OR
TSA 405
-Trim set only. No latch.



CSA 4050H
-Complete set with latch and spindle.
-Shown with K-206 knob.
OR
TSA 4050H
-Trim set only. No latch.



CS-FA 4050H
-Complete set with latch and spindle.
-Shown with L-102 lever.
OR
TS-FA 4050H
-Trim set only. No latch.

Complete sets with tubular latch and spindle.

CSA 405 Passage set with 1 3/4" x 7 1/2" escutcheon plates PA 405. *
TSA 405FD Full Dummy.
TSA 405HD Half Dummy.

CSA 4050H Passage set with 1 3/4" x 7 1/2" escutcheon plates PA 4050H. *
TSA 4050H-FD Full Dummy.
TSA 4050H-HD Half Dummy.

CS-FA 4050H Passage set with 1 3/4" x 7 1/2" escutcheon plates P-FA 4050H. *
TS-FA 4050H-FD Full dummy.
TS-FA 4050H-HD Half dummy.

2 3/8" or 2 3/4" backset standard. Please specify.
Always specify lever/knob design.

* Will not cover 2 1/8" bore.

* Push pin privacy function not available for escutcheons 2" wide or less.

Trim sets for tubular latch with spindle, no latch included.

TSA 405 Passage set with 1 3/4" x 7 1/2" escutcheon plates PA 405. *
TSA 405FD Full Dummy.
TSA 405HD Half Dummy.

TSA 4050H Passage set with 1 3/4" x 7 1/2" escutcheon plates PA 4050H. *
TSA 4050H-FD Full Dummy.
TSA 4050H-HD Half Dummy.

TS-FA 4050H Passage set with 1 3/4" x 7 1/2" escutcheon plates P-FA 4050H. *
TS-FA 4050H-FD Full dummy.
TS-FA 4050H-HD Half dummy.

Specify manufacturer, model number, and function of latch to be used.
Always specify lever/knob design.

* Will not cover 2 1/8" bore.

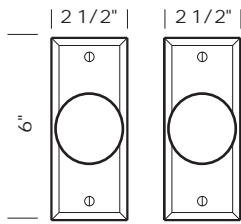
* Push pin privacy function not available for escutcheons 2" wide or less.

PROPRIETARY AND CONFIDENTIAL: The information contained in this drawing is the sole property of Sun Valley Bronze. Any reproduction in part or as a whole without the written permission of Sun Valley Bronze is prohibited.

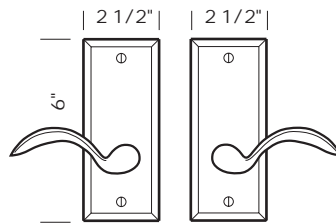
Revised 02/02/11



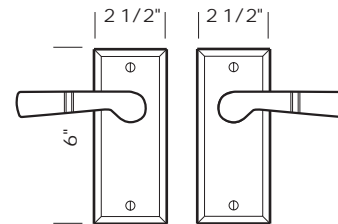
Illustrations are for demonstration purposes only. Any lever or knob may be substituted for lever or knob shown.



CS-406
-Complete set with latch and spindle.
-Shown with K-208 knob.
OR
TS-406
-Trim set only. No latch.



CS-4060H
-Complete set with latch and spindle.
-Shown with L-105 lever.
OR
TS-4060H
-Trim set only. No latch.



CS-F4060H
-Complete set with latch and spindle.
-Shown with L-109 lever.
OR
TS-F4060H
-Trim set only. No latch.

Complete sets with tubular latch and spindle.

CS-406 Passage set with 2 1/2" x 6" escutcheon plates P-406.
CS-406PR Privacy set
TS-406FD Full dummy.
TS-406HD Half dummy.

CS-4060H Passage set with 2 1/2" x 6" escutcheon plates P-4060H.
CS-4060H-PR Privacy set
TS-4060H-FD Full dummy.
TS-4060H-HD Half dummy.

CS-F4060H Passage set with 2 1/2" x 6" escutcheon plates PF-4060H.
CS-F4060H-PR Privacy set
TS-F4060H-FD Full dummy.
TS-F4060H-HD Half dummy.

2 3/8" or 2 3/4" backset standard. Please specify.
Always specify lever/knob design.

Trim sets for tubular latch with spindle, no latch included.

TS-406 Passage set with 2 1/2" x 6" escutcheon plates P-406.
TS-406PR Privacy set
TS-406FD Full dummy.
TS-406HD Half dummy.

TS-4060H Passage set with 2 1/2" x 6" escutcheon plates P-4060H.
TS-4060H-PR Privacy set
TS-4060H-FD Full dummy.
TS-4060H-HD Half dummy.

TS-F4060H Passage set with 2 1/2" x 6" escutcheon plates PF-4060H.
TS-F4060H-PR Privacy set
TS-F4060H-FD Full dummy.
TS-F4060H-HD Half dummy.

Specify manufacturer, model number, and function of latch to be used.
Always specify lever/knob design.

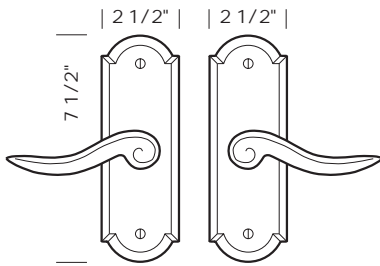
PROPRIETARY AND CONFIDENTIAL: The information contained in this drawing is the sole property of Sun Valley Bronze. Any reproduction in part or as a whole without the written permission of Sun Valley Bronze is prohibited.

Revised 02/02/11

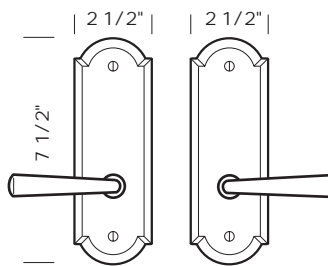


A 406 TUBULAR LATCH SETS

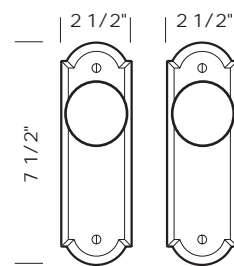
Illustrations are for demonstration purposes only. Any lever or knob may be substituted for lever or knob shown.



CSA 406
-Complete set with latch and spindle.
-Shown with L-114 lever.
OR
TSA 406
-Trim set only. No latch.



CSA 4060H
-Complete set with latch and spindle.
-Shown with L-113 lever.
OR
TSA 4060H
-Trim set only. No latch.



CS-FA 4060H
-Complete set with latch and spindle.
-Shown with K-208 knob.
OR
TS-FA 4060H
-Trim set only. No latch.

Complete sets with tubular latch and spindle.

CSA 406 Passage set with 2 1/2" x 7 1/2" escutcheon plates PA 406.
CSA 406PR Privacy set
TSA 406FD Full dummy.
TSA 406HD Half dummy.

CSA 4060H Passage set with 2 1/2" x 7 1/2" escutcheon plates PA 406.
CSA 4060H-PR Privacy set
TSA 4060H-FD Full dummy.
TSA 4060H-HD Half dummy.

CS-FA 4060H Passage set with 2 1/2" x 7 1/2" escutcheon plates P-FA 4060H.
CS-FA 4060H-PR Privacy set
TS-FA 4060H-FD Full dummy.
TS-FA 4060H-HD Half dummy.

2 3/8" or 2 3/4" backset standard. Please specify.
Always specify lever/knob design.

Trim sets for tubular latch with spindle, no latch included.

TSA 406 Passage set with 2 1/2" x 7 1/2" escutcheon plates PA 406.
TSA 406PR Privacy set
TSA 406FD Full dummy.
TSA 406HD Half dummy.

TSA 4060H Passage set with 2 1/2" x 7 1/2" escutcheon plates PA 406.
TSA 4060H-PR Privacy set
TSA 4060H-FD Full dummy.
TSA 4060H-HD Half dummy.

TS-FA 4060H Passage set with 2 1/2" x 7 1/2" escutcheon plates P-FA 4060H.
TS-FA 4060H-PR Privacy set
TS-FA 4060H-FD Full dummy.
TS-FA 4060H-HD Half dummy.

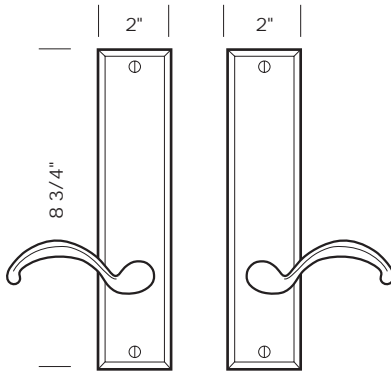
Specify manufacturer, model number, and function of latch to be used.
Always specify lever/knob design.

PROPRIETARY AND CONFIDENTIAL: The information contained in this drawing is the sole property of Sun Valley Bronze. Any reproduction in part or as a whole without the written permission of Sun Valley Bronze is prohibited.

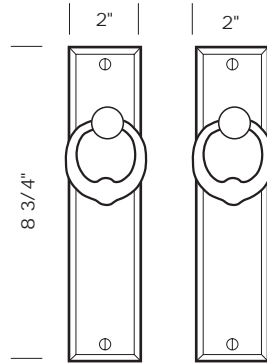
Revised 02/02/11



Illustrations are for demonstration purposes only. Any lever or knob may be substituted for lever or knob shown.



CS-407
-Complete set with latch and spindle.
-Shown with L-120 lever.
OR
TS-407
-Trim set only. No latch.



CS-F407
-Complete set with latch and spindle.
-Shown with K-210 knob.
OR
TS-F407
-Trim set only. No latch.

Complete sets with tubular latch and spindle.

CS-407 Passage set with 2" x 8 3/4" escutcheon plates P-407. *
TS-407FD Full dummy.
TS-407HD Half dummy.

CS-F407 Passage set with 2" x 8 3/4" escutcheon plates PF-407. *
TS-F407FD Full dummy.
TS-F407HD Half dummy.

2 3/8" or 2 3/4" backset standard. Please specify.

Always specify lever/knob design.

* Will not cover 2 1/8" bore.

* Push pin privacy function not available for escutcheons 2" wide or less.

Trim sets for tubular latch with spindle, no latch included.

TS-407 Passage set with 2" x 8 3/4" escutcheon plates P-407. *
TS-407FD Full dummy.
TS-407HD Half dummy.

TS-F407 Passage set with 2" x 8 3/4" escutcheon plates PF-407. *
TS-F407FD Full dummy.
TS-F407HD Half dummy.

Specify manufacturer, model number, and function of latch to be used.

Always specify lever/knob design.

* Will not cover 2 1/8" bore.

* Push pin privacy function not available for escutcheons 2" wide or less.

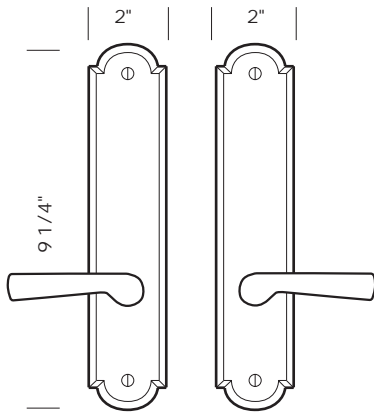
PROPRIETARY AND CONFIDENTIAL: The information contained in this drawing is the sole property of Sun Valley Bronze. Any reproduction in part or as a whole without the written permission of Sun Valley Bronze is prohibited.

Revised 02/02/11

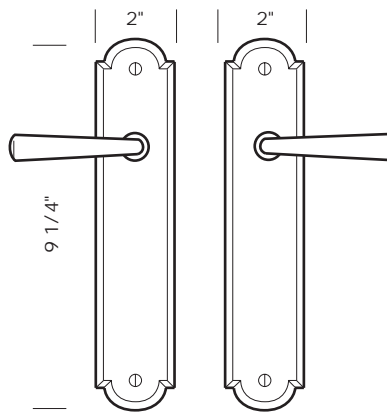


A 407 TUBULAR LATCH SETS

Illustrations are for demonstration purposes only. Any lever or knob may be substituted for lever or knob shown.



CSA 407
-Complete set with latch and spindle.
-Shown with L-110 lever.
OR
TSA 407
-Trim set only. No latch.



CS-FA 407
-Complete set with latch and spindle.
-Shown with L-113 lever.
OR
TS-FA 407
-Trim set only. No latch.

Complete sets with tubular latch and spindle.

CSA 407 Passage set with 2" x 8 3/4" escutcheon plates PA 407. *
TSA 407FD Full dummy.
TSA 407HD Half dummy.

CS-FA 407 Passage set with 2" x 8 3/4" escutcheon plates P-FA 407. *
TS-FA 407FD Full dummy.
TS-FA 407HD Half dummy.

2 3/8" or 2 3/4" backset standard. Please specify.

Always specify lever/knob design.

* Will not cover 2 1/8" bore.

* Push pin privacy function not available for escutcheons 2" wide or less.

Trim sets for tubular latch with spindle, no latch included.

TSA 407 Passage set with 2" x 8 3/4" escutcheon plates PA 407. *
TSA 407FD Full dummy.
TSA 407HD Half dummy.

TS-FA 407 Passage set with 2" x 8 3/4" escutcheon plates P-FA 407. *
TS-FA 407FD Full dummy.
TS-FA 407HD Half dummy.

Specify manufacturer, model number, and function of latch to be used.

Always specify lever/knob design.

* Will not cover 2 1/8" bore.

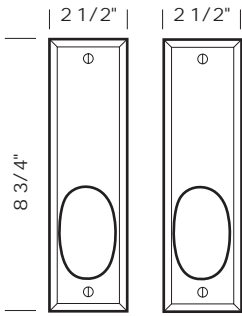
* Push pin privacy function not available for escutcheons 2" wide or less.

PROPRIETARY AND CONFIDENTIAL: The information contained in this drawing is the sole property of Sun Valley Bronze. Any reproduction in part or as a whole without the written permission of Sun Valley Bronze is prohibited.

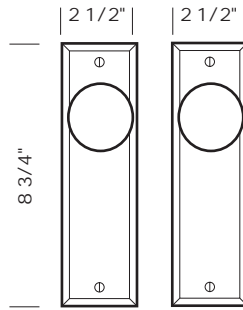
Revised 02/02/11



Illustrations are for demonstration purposes only. Any lever or knob may be substituted for lever or knob shown.



CS-408
-Complete set with latch and spindle.
-Shown with K-207 knob.
OR
TS-408
-Trim set only. No latch.



CS-F408
-Complete set with latch and spindle.
-Shown with K-208 knob.
OR
TS-F408
-Trim set only. No latch.

Complete sets with tubular latch and spindle.

CS-408	Passage set with 2 1/2" x 8 3/4" escutcheon plates P-408.
CS-408PR	Privacy set
TS-408FD	Full dummy.
TS-408HD	Half dummy.

CS-F408	Passage set with 2 1/2" x 8 3/4" escutcheon plates PF408.
CS-F408PR	Privacy set
TS-F408FD	Full dummy.
TS-F408HD	Half dummy.

2 3/8" or 2 3/4" backset standard. Please specify.
Always specify lever/knob design.

Trim sets for tubular latch with spindle, no latch included.

TS-408	Passage set with 2 1/2" x 8 3/4" escutcheon plates P-408.
TS-408PR	Privacy set
TS-408FD	Full dummy.
TS-408HD	Half dummy.

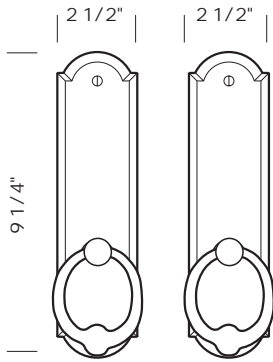
TS-F408	Passage set with 2 1/2" x 8 3/4" escutcheon plates PF408.
TS-F408PR	Privacy set
TS-F408FD	Full dummy.
TS-F408HD	Half dummy.

Specify manufacturer, model number, and function of latch to be used.
Always specify lever/knob design.

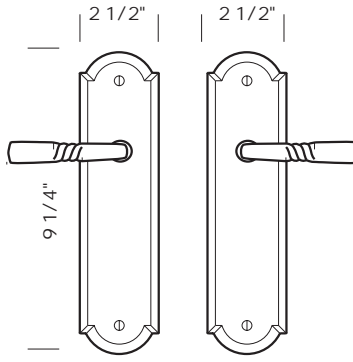


A 408 TUBULAR LATCH SETS

Illustrations are for demonstration purposes only. Any lever or knob may be substituted for lever or knob shown.



CSA 408
-Complete set with latch and spindle.
-Shown with K-212 knob.
OR
TSA 408
-Trim set only. No latch.



CS-FA 408
-Complete set with latch and spindle.
-Shown with L-117 lever.
OR
TS-FA 408
-Trim set only. No latch.

Complete sets with tubular latch and spindle.

CSA 408	Passage set with 2 1/2" x 9 1/4" escutcheon plates PA 408.
CSA 408PR	Privacy set
TSA 408FD	Full dummy.
TSA 408HD	Half dummy.

CS-FA 408	Passage set with 2 1/2" x 9 1/4" escutcheon plates P-FA 408.
CS-FA 408PR	Privacy set
TS-FA 408FD	Full dummy.
TS-FA 408HD	Half dummy.

Specify manufacturer, model number, and function of latch to be used.
Always specify lever/knob design.

Trim sets for tubular latch with spindle, no latch included.

TS-A 408	Passage set with 2 1/2" x 9 1/4" escutcheon plates PA 408.
TS-A 408PR	Privacy set
TS-A 408FD	Full dummy.
TS-A 408HD	Half dummy.

TS-FA 408	Passage set with 2 1/2" x 9 1/4" escutcheon plates P-FA 408.
TS-FA 408PR	Privacy set
TS-FA 408FD	Full dummy.
TS-FA 408HD	Half dummy.

Specify manufacturer, model number, and function of latch to be used.
Always specify lever/knob design.

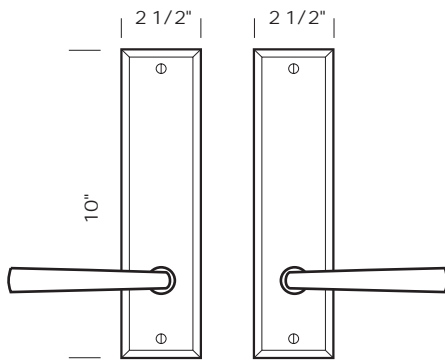
PROPRIETARY AND CONFIDENTIAL: The information contained in this drawing is the sole property of Sun Valley Bronze. Any reproduction in part or as a whole without the written permission of Sun Valley Bronze is prohibited.

Revised 02/02/11

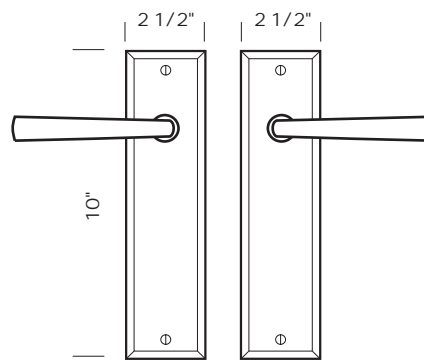


409 TUBULAR LATCH SETS

Illustrations are for demonstration purposes only. Any lever or knob may be substituted for lever or knob shown.



CS-409
-Complete set with latch and spindle.
-Shown with L-115 lever.
OR
TS-409
-Trim set only. No latch.



CS-F409
-Complete set with latch and spindle.
-Shown with L-115 lever.
OR
TS-F409
-Trim set only. No latch.

Complete sets with tubular latch and spindle.

CS-409	Passage set with 2 1/2" x 10" escutcheon plates P-409.
CS-409PR	Privacy set
TS-409FD	Full dummy.
TS-409HD	Half dummy.

CS-F409	Passage set with 2 1/2" x 10" escutcheon plates PF409.
CS-F409PR	Privacy set
TS-F409FD	Full dummy.
TS-F409HD	Half dummy.

2 3/8" or 2 3/4" backset standard. Please specify.
Always specify lever/knob design.

Trim sets for tubular latch with spindle, no latch included.

TS-409	Passage set with 2 1/2" x 10" escutcheon plates P-409.
TS-409PR	Privacy set
TS-409FD	Full dummy.
TS-409HD	Half dummy.

TS-F409	Passage set with 2 1/2" x 10" escutcheon plates PF409.
TS-F409PR	Privacy set
TS-F409FD	Full dummy.
TS-F409HD	Half dummy.

Specify manufacturer, model number, and function of latch to be used.
Always specify lever/knob design.

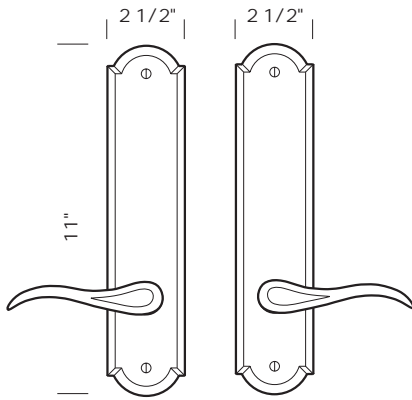
PROPRIETARY AND CONFIDENTIAL: The information contained in this drawing is the sole property of Sun Valley Bronze. Any reproduction in part or as a whole without the written permission of Sun Valley Bronze is prohibited.

Revised 02/02/11

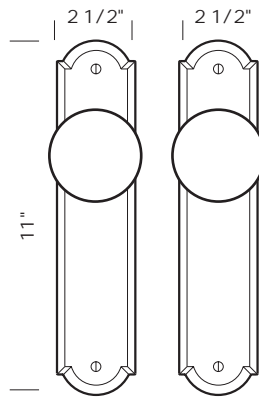


A 409 TUBULAR LATCH SETS

Illustrations are for demonstration purposes only. Any lever or knob may be substituted for lever or knob shown.



CSA 409
 -Complete set with latch and spindle.
 -Shown with L-101 lever.
 OR
 TSA 409
 -Trim set only. No latch.



CS-FA 409
 -Complete set with latch and spindle.
 -Shown with K-209 knob.
 OR
 TS-FA 409
 -Trim set only. No latch.

Complete sets with tubular latch and spindle.

CSA 409 Passage set with 2 1/2" x 11" escutcheon plates PA 409.
 CSA 409PR Privacy set
 TSA 409FD Full dummy.
 TSA 409HD Half dummy.

CS-FA 409 Passage set with 2 1/2" x 11" escutcheon plates PFA 409.
 CS-FA 409PR Privacy set
 TS-FA 409FD Full dummy.
 TS-FA 409HD Half dummy.

2 3/8" or 2 3/4" backset standard. Please specify.
 Always specify lever/knob design.

Trim sets for tubular latch with spindle, no latch included.

TSA 409 Passage set with 2 1/2" x 11" escutcheon plates PA 409.
 TSA 409PR Privacy set
 TSA 409FD Full dummy.
 TSA 409HD Half dummy.

TS-FA 409 Passage set with 2 1/2" x 11" escutcheon plates PFA 409.
 TS-FA 409PR Privacy set
 TS-FA 409FD Full dummy.
 TS-FA 409HD Half dummy.

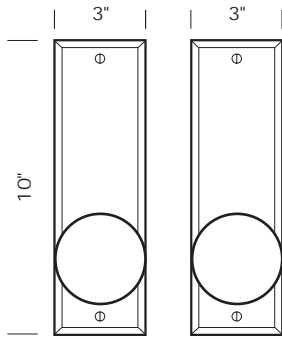
Specify manufacturer, model number, and function of latch to be used.
 Always specify lever/knob design.

PROPRIETARY AND CONFIDENTIAL: The information contained in this drawing is the sole property of Sun Valley Bronze. Any reproduction in part or as a whole without the written permission of Sun Valley Bronze is prohibited.

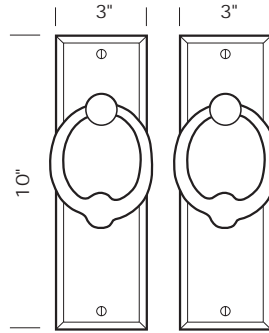
Revised 02/02/11



Illustrations are for demonstration purposes only. Any lever or knob may be substituted for lever or knob shown.



CS-410
-Complete set with latch and spindle.
-Shown with K-209 knob.
OR
TS-410
-Trim set only. No latch.



CS-F410
-Complete set with latch and spindle.
-Shown with K-212 knob.
OR
TS-F410
-Trim set only. No latch.

Complete sets with tubular latch and spindle.

CS-410	Passage set with 3" x 10" escutcheon plates P-410.
CS-41OPR	Privacy set
TS-41OFD	Full dummy.
TS-41OHD	Half dummy.

CS-F410	Passage set with 3" x 10" escutcheon plates PF410.
CS-F41OPR	Privacy set
TS-F41OFD	Full dummy.
TS-F41OHD	Half dummy.

2 3/8" or 2 3/4" backset standard. Please specify.
Always specify lever/knob design.

Trim sets for tubular latch with spindle, no latch included.

TS-410	Passage set with 3" x 10" escutcheon plates P-410.
TS-41OPR	Privacy set
TS-41OFD	Full dummy.
TS-41OHD	Half dummy.

TS-F410	Passage set with 3" x 10" escutcheon plates PF410.
TS-F41OPR	Privacy set
TS-F41OFD	Full dummy.
TS-F41OHD	Half dummy.

Specify manufacturer, model number, and function of latch to be used.
Always specify lever/knob design.

PROPRIETARY AND CONFIDENTIAL: The information contained in this drawing is the sole property of Sun Valley Bronze. Any reproduction in part or as a whole without the written permission of Sun Valley Bronze is prohibited.

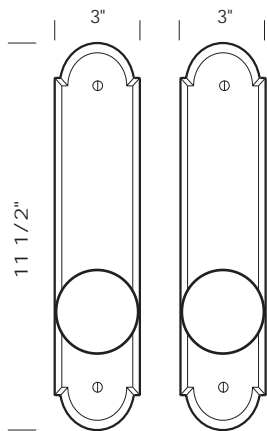
Revised 02/02/11



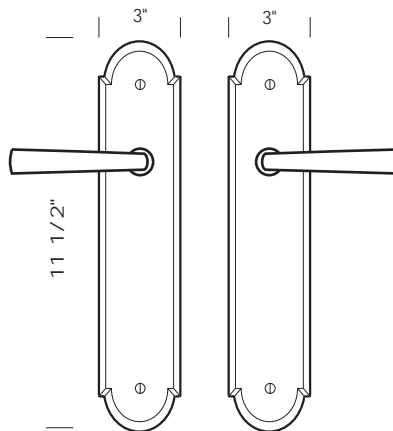
A 410 TUBULAR LATCH SETS

SUN VALLEY BRONZE

Illustrations are for demonstration purposes only. Any lever or knob may be substituted for lever or knob shown.



CSA 410
-Complete set with latch and spindle.
-Shown with K-209 knob.
OR
TSA 410
-Trim set only. No latch.



CS-FA 410
-Complete set with latch and spindle.
-Shown with L-115 lever.
OR
TS-FA 410
-Trim set only. No latch.

Complete sets with tubular latch and spindle.

CSA 410	Passage set with 3" x 11 1/2" escutcheon plates PA 410.
CSA 410PR	Privacy set
TSA 410FD	Full dummy.
TSA 410HD	Half dummy.

CS-FA 410	Passage set with 3" x 11 1/2" escutcheon plates P-FA 410.
CS-FA 410PR	Privacy set
TS-FA 410FD	Full dummy.
TS-FA 410HD	Half dummy.

2 3/8" or 2 3/4" backset standard. Please specify.
Always specify lever/knob design.

Trim sets for tubular latch with spindle, no latch included.

TSA 410	Passage set with 3" x 11 1/2" escutcheon plates PA 410.
TSA 410PR	Privacy set
TSA 410FD	Full dummy.
TSA 410HD	Half dummy.

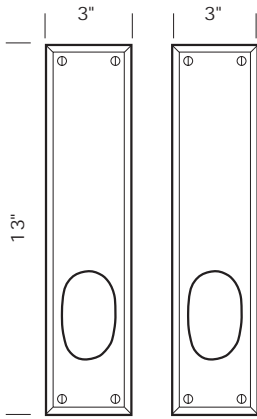
TS-FA 410	Passage set with 3" x 11 1/2" escutcheon plates P-FA 410.
TS-FA 410PR	Privacy set
TS-FA 410FD	Full dummy.
TS-FA 410HD	Half dummy.

Specify manufacturer, model number, and function of latch to be used.
Always specify lever/knob design.

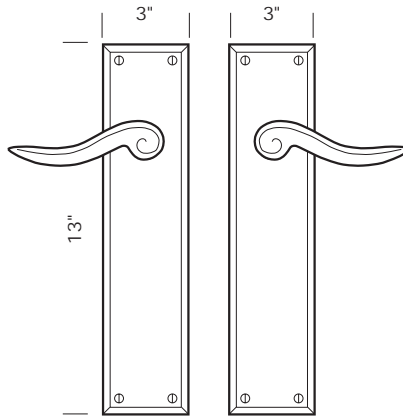
PROPRIETARY AND CONFIDENTIAL: The information contained in this drawing is the sole property of Sun Valley Bronze. Any reproduction in part or as a whole without the written permission of Sun Valley Bronze is prohibited. *Revised 02/02/11*



Illustrations are for demonstration purposes only. Any lever or knob may be substituted for lever or knob shown.



CS-601
-Complete set with latch and spindle.
-Shown with K-205 knob.
OR
TS-601
-Trim set only. No latch.



CS-F601
-Complete set with latch and spindle.
-Shown with L-114 lever.
OR
TS-F601
-Trim set only. No latch.

Complete sets with tubular latch and spindle.

CS-601	Passage set with 3" x 13" escutcheon plates P-601.
CS-601PR	Privacy set
TS-601FD	Full dummy.
TS-601HD	Half dummy.

CS-F601	Passage set with 3" x 13" escutcheon plates PF601.
CS-F601PR	Privacy set
TS-F601FD	Full dummy.
TS-F601HD	Half dummy.

2 3/8" or 2 3/4" backset standard. Please specify.
Always specify lever/knob design.

Trim sets for tubular latch with spindle, no latch included.

TS-601	Passage set with 3" x 13" escutcheon plates P-601.
TS-601PR	Privacy set
TS-601FD	Full dummy.
TS-601HD	Half dummy.

TS-F601	Passage set with 3" x 13" escutcheon plates PF601.
TS-F601PR	Privacy set
TS-F601FD	Full dummy.
TS-F601HD	Half dummy.

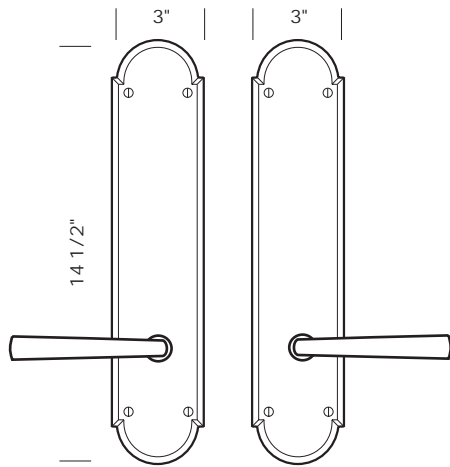
Specify manufacturer, model number, and function of latch to be used.
Always specify lever/knob design.

PROPRIETARY AND CONFIDENTIAL: The information contained in this drawing is the sole property of Sun Valley Bronze. Any reproduction in part or as a whole without the written permission of Sun Valley Bronze is prohibited. *Revised 02/02/11*

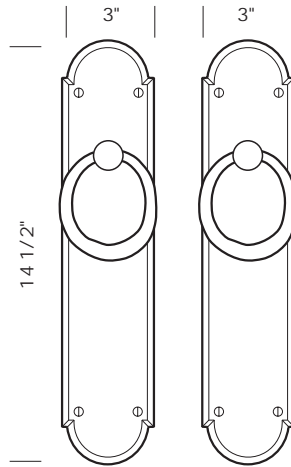


A601 TUBULAR LATCH SETS

Illustrations are for demonstration purposes only. Any lever or knob may be substituted for lever or knob shown.



CS-A601
-Complete set with latch and spindle.
-Shown with L-115 lever.
OR
TS-A601
-Trim set only. No latch.



CS-FA601
-Complete set with latch and spindle.
-Shown with K-211 knob.
OR
TS-FA601
-Trim set only. No latch.

Complete sets with tubular latch and spindle.

CS-A601	Passage set with 3" x 14 1/2" escutcheon plates PA601.
CS-A601PR	Privacy set
TS-A601FD	Full dummy.
TS-A601HD	Half dummy.

CS-FA601	Passage set with 3" x 14 1/2" escutcheon plates PFA601.
CS-FA601PR	Privacy set
TS-FA601FD	Full dummy.
TS-FA601HD	Half dummy.

2 3/8" or 2 3/4" backset standard. Please specify.
Always specify lever/knob design.

Trim sets for tubular latch with spindle, no latch included.

TS-A601	Passage set with 3" x 14 1/2" escutcheon plates PA601.
TS-A601PR	Privacy set
TS-A601FD	Full dummy.
TS-A601HD	Half dummy.

TS-FA601	Passage set with 3" x 14 1/2" escutcheon plates PFA601.
TS-FA601PR	Privacy set
TS-FA601FD	Full dummy.
TS-FA601HD	Half dummy.

Specify manufacturer, model number, and function of latch to be used.
Always specify lever/knob design.

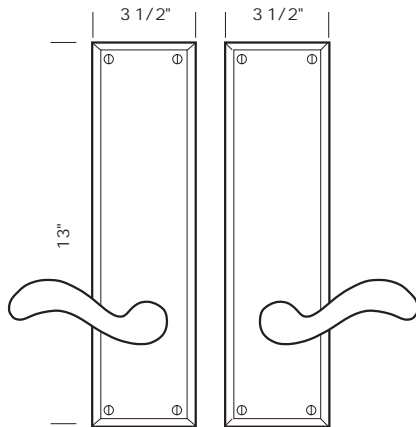
PROPRIETARY AND CONFIDENTIAL: The information contained in this drawing is the sole property of Sun Valley Bronze. Any reproduction in part or as a whole without the written permission of Sun Valley Bronze is prohibited.

Revised 02/02/11

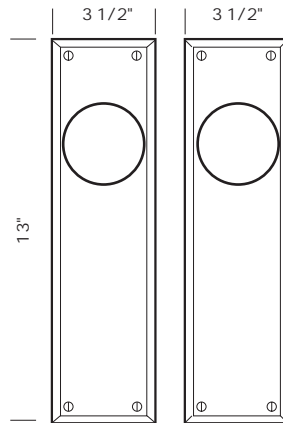
SUN VALLEY BRONZE



Illustrations are for demonstration purposes only. Any lever or knob may be substituted for lever or knob shown.



CS-602
-Complete set with latch and spindle.
-Shown with L-108 lever.
OR
TS-602
-Trim set only. No latch.



CS-F602
-Complete set with latch and spindle.
-Shown with K-209 knob.
OR
TS-F602
-Trim set only. No latch.

Complete sets with tubular latch and spindle.

CS-602	Passage set with 3 1/2" x 13" escutcheon plates P-602.
CS-602PR	Privacy set
TS-602FD	Full dummy.
TS-602HD	Half dummy.

CS-F602	Passage set with 3 1/2" x 13" escutcheon plates PF602.
CS-F602PR	Privacy set
TS-F602FD	Full dummy.
TS-F602HD	Half dummy.

2 3/8" or 2 3/4" backset standard. Please specify.
Always specify lever/knob design.

Trim sets for tubular latch with spindle, no latch included.

TS-602	Passage set with 3 1/2" x 13" escutcheon plates P-602.
TS-602PR	Privacy set
TS-602FD	Full dummy.
TS-602HD	Half dummy.

TS-F602	Passage set with 3 1/2" x 13" escutcheon plates PF602.
TS-F602PR	Privacy set
TS-F602FD	Full dummy.
TS-F602HD	Half dummy.

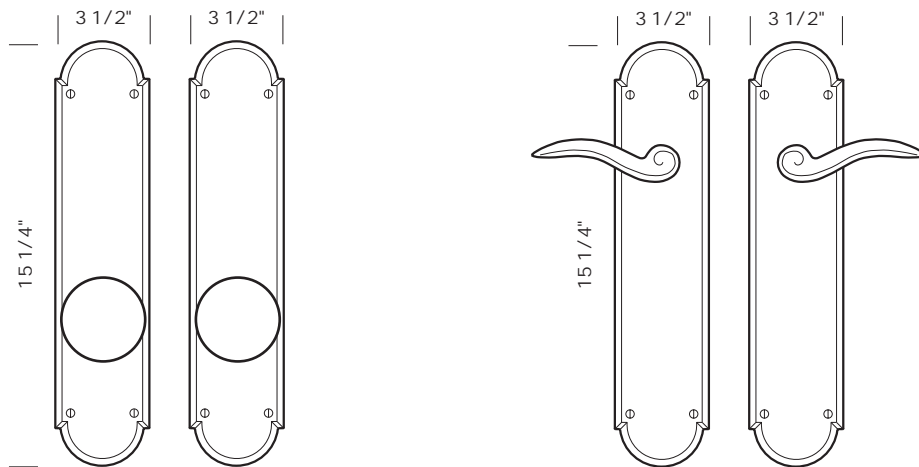
Specify manufacturer, model number, and function of latch to be used.
Always specify lever/knob design.

PROPRIETARY AND CONFIDENTIAL: The information contained in this drawing is the sole property of Sun Valley Bronze. Any reproduction in part or as a whole without the written permission of Sun Valley Bronze is prohibited. *Revised 02/02/11*



A602 TUBULAR LATCH SETS

Illustrations are for demonstration purposes only. Any lever or knob may be substituted for lever or knob shown.



CS-A602
-Complete set with latch and spindle.
-Shown with K-209 knob.
OR
TS-A602
-Trim set only. No latch.

CS-FA602
-Complete set with latch and spindle.
-Shown with L-118 lever.
OR
TS-FA602
-Trim set only. No latch.

Complete sets with tubular latch and spindle.

CS-A602 Passage set with 3 1/2" x 15 1/4" escutcheon plates PA 602.
CS-A602PR Privacy set
TS-A602FD Full dummy.
TS-A602HD Half dummy.

CS-FA602 Passage set with 3 1/2" x 15 1/4" escutcheon plates P-FA 602.
CS-FA602PR Privacy set
TS-FA602FD Full dummy.
TS-FA602HD Half dummy.

2 3/8" or 2 3/4" backset standard. Please specify.
Always specify lever/knob design.

Trim sets for tubular latch with spindle, no latch included.

TS-A602 Passage set with 3 1/2" x 15 1/4" escutcheon plates PA 602.
TS-A602PR Privacy set
TS-A602FD Full dummy.
TS-A602HD Half dummy.

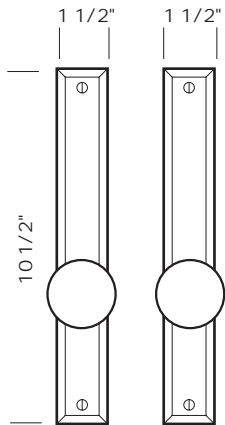
TS-FA602 Passage set with 3 1/2" x 15 1/4" escutcheon plates P-FA 602.
TS-FA602PR Privacy set
TS-FA602FD Full dummy.
TS-FA602HD Half dummy.

Specify manufacturer, model number, and function of latch to be used.
Always specify lever/knob design.

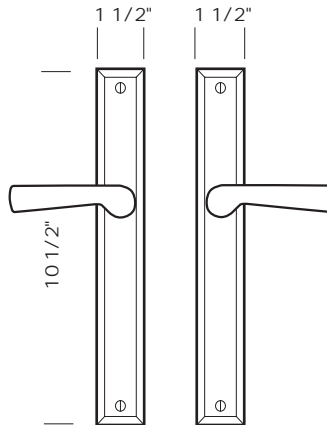
PROPRIETARY AND CONFIDENTIAL: The information contained in this drawing is the sole property of Sun Valley Bronze. Any reproduction in part or as a whole without the written permission of Sun Valley Bronze is prohibited. Revised 02/02/11



Illustrations are for demonstration purposes only. Any lever or knob may be substituted for lever or knob shown.



CS-811
-Complete set with latch and spindle.
-Shown with K-201 knob.
OR
TS-811
-Trim set only. No latch.



CS-F811
-Complete set with latch and spindle.
-Shown with L-109 lever.
OR
TS-F811
-Trim set only. No latch.

Complete sets with tubular latch and spindle.

CS-811 Passage set with 1 1/2" x 10 1/2" escutcheon plates P-811
TS-811FD Full dummy.
TS-811HD Half dummy.

CS-F811 Passage set with 1 1/2" x 10 1/2" escutcheon plates PF811. *
TS-F811FD Full dummy.
TS-F811HD Half dummy.

2 3/8" or 2 3/4" backset standard. Please specify.

Always specify lever/knob design.

*Will not cover 2 1/8" bore.

*Push pin privacy function not available for escutcheons 2" wide or less.

Trim sets for tubular latch with spindle, no latch included.

TS-811 Passage set with 1 1/2" x 10 1/2" escutcheon plates P-811
TS-811FD Full dummy.
TS-811HD Half dummy.

TS-F811 Passage set with 1 1/2" x 10 1/2" escutcheon plates PF811. *
TS-F811FD Full dummy.
TS-F811HD Half dummy.

Specify manufacturer, model number, and function of latch to be used.

Always specify lever/knob design.

*Will not cover 2 1/8" bore.

*Push pin privacy function not available for escutcheons 2" wide or less.

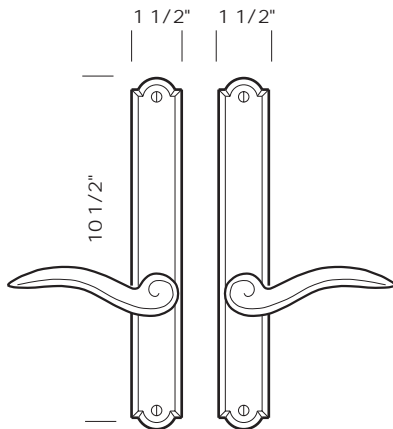
PROPRIETARY AND CONFIDENTIAL: The information contained in this drawing is the sole property of Sun Valley Bronze. Any reproduction in part or as a whole without the written permission of Sun Valley Bronze is prohibited.

Revised 02/02/11

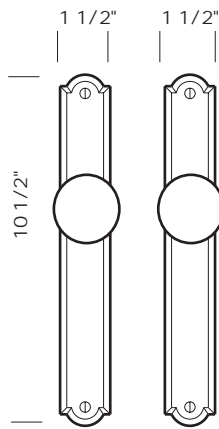


A811 TUBULAR LATCH SETS

Illustrations are for demonstration purposes only. Any lever or knob may be substituted for lever or knob shown.



CS-A811
-Complete set with latch and spindle.
-Shown with L-118 lever.
OR
TS-A811
-Trim set only. No latch.



CS-FA811
-Complete set with latch and spindle.
-Shown with K-208 knob.
OR
TS-FA811
-Trim set only. No latch.

Complete sets with tubular latch and spindle.

CS-A811 Passage set with 1 1/2" x 10 1/2" escutcheon plates PA811. *
 TSA811FD Full dummy.
 TS-A811HD Half dummy.

CS-FA811 Passage set with 1 1/2" x 10 1/2" escutcheon plates PFA811. *
 TS-FA811FD Full dummy.
 TS-FA811HD Half dummy.

2 3/8" or 2 3/4" backset standard. Please specify.

Always specify lever/ knob design.

* Will not cover 2 1/8" bore.

* Push pin privacy function not available for escutcheons 2" wide or less.

Trim sets for tubular latch with spindle, no latch included.

TS-A811 Passage set with 1 1/2" x 10 1/2" escutcheon plates PA811. *
 TSA811FD Full dummy.
 TS-A811HD Half dummy.

TS-FA811 Passage set with 1 1/2" x 10 1/2" escutcheon plates PFA811. *
 TS-FA811FD Full dummy.
 TS-FA811HD Half dummy.

Specify manufacturer, model number, and function of latch to be used.

Always specify lever/ knob design.

* Will not cover 2 1/8" bore.

* Push pin privacy function not available for escutcheons 2" wide or less.

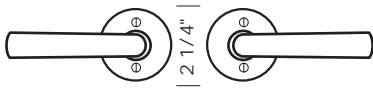
PROPRIETARY AND CONFIDENTIAL: The information contained in this drawing is the sole property of Sun Valley Bronze. Any reproduction in part or as a whole without the written permission of Sun Valley Bronze is prohibited.

Revised 02/02/11

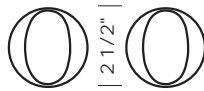


900 SERIES ROUND TUBULAR LATCH SETS

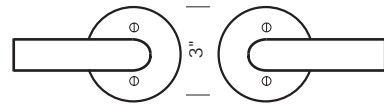
Illustrations are for demonstration purposes only. Any lever or knob may be substituted for lever or knob shown.



CS-RP925
-Complete set with latch and spindle.
-Shown with L-112 lever.
OR
TS-RP925
-Trim set only. No latch.



CS-RP926
-Complete set with latch and spindle.
-Shown with K-206 knob.
OR
TS-RP926
-Trim set only. No latch.



CS-RP927
-Complete set with latch and spindle.
-Shown with L-111 lever.
OR
TS-RP926
-Trim set only. No latch.

Complete sets with tubular latch and spindle.

CS-RP925 Passage set with 2 1/4" round escutcheon plates RP-925.
CS-RP925PR Privacy set
TS-RP925FD Full dummy.
TS-RP925HD Half dummy.

CS-RP926 Passage set with 2 1/2" round escutcheon plates RP-926.
CS-RP926PR Privacy set
TS-RP926FD Full dummy.
TS-RP926HD Half dummy.

CS-RP927 Passage set with 3" round escutcheon plates RP-927.
CS-RP927PR Privacy set
TS-RP927FD Full dummy.
TS-RP927HD Half dummy.

2 3/8" or 2 3/4" backset standard. Please specify.
Always specify lever/knob design.

Trim sets for tubular latch with spindle, no latch included.

TS-RP925 Passage set with 2 1/4" round escutcheon plates RP-925.
TS-RP925PR Privacy set
TS-RP925FD Full dummy.
TS-RP925HD Half dummy.

TS-RP926 Passage set with 2 1/2" round escutcheon plates RP-926.
TS-RP926PR Privacy set
TS-RP926FD Full dummy.
TS-RP926HD Half dummy.

TS-RP927 Passage set with 3" round escutcheon plates RP-927.
TS-RP927PR Privacy set
TS-RP927FD Full dummy.
TS-RP927HD Half dummy.

Specify manufacturer, model number, and function of latch to be used.
Always specify lever/knob design.

PROPRIETARY AND CONFIDENTIAL: The information contained in this drawing is the sole property of Sun Valley Bronze. Any reproduction in part or as a whole without the written permission of Sun Valley Bronze is prohibited.

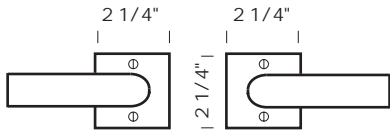
Revised 02/02/11

SUN VALLEY BRONZE

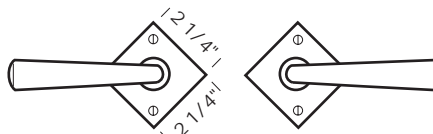


925 TUBULAR LATCH SETS

Illustrations are for demonstration purposes only. Any lever or knob may be substituted for lever or knob shown.



CS-925
 -Complete set with latch and spindle.
 -Shown with L-111 lever.
 OR
 TS-925
 -Trim set only. No latch.



CS-925DI
 -Complete set with latch and spindle.
 -Shown with L-113 lever.
 OR
 TS-925DI
 -Trim set only. No latch.

Complete sets with tubular latch and spindle.

CS-925 Passage set with 2 1/4" square escutcheon plates P-925.
 CS-925PR Privacy set
 TS-925FD Full dummy.
 TS-925HD Half dummy.

CS-925DI Passage set with 2 1/4" diamond escutcheon plates P-925DI.
 CS-925DI-PR Privacy set
 TS-925DI-FD Full dummy.
 TS-925DI-HD Half dummy.

2 3/8" or 2 3/4" backset standard. Please specify.
 Always specify lever/knob design.

Trim sets for tubular latch with spindle, no latch included.

TS-925 Passage set with 2 1/4" square escutcheon plates P-925.
 TS-925PR Privacy set
 TS-925FD Full dummy.
 TS-925HD Half dummy.

TS-925DI Passage set with 2 1/4" diamond escutcheon plates P-925DI.
 TS-925DI-PR Privacy set
 TS-925DI-FD Full dummy.
 TS-925DI-HD Half dummy

Specify manufacturer, model number, and function of latch to be used.
 Always specify lever/knob design.

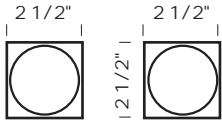
SUN VALLEY BRONZE

PROPRIETARY AND CONFIDENTIAL: The information contained in this drawing is the sole property of Sun Valley Bronze. Any reproduction in part or as a whole without the written permission of Sun Valley Bronze is prohibited.

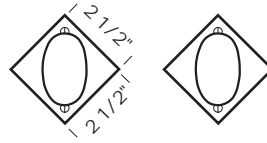
Revised 02/02/11



Illustrations are for demonstration purposes only. Any lever or knob may be substituted for lever or knob shown.



CS-926
 -Complete set with latch and spindle.
 -Shown with K-201 knob.
 OR
 TS-926
 -Trim set only. No latch.



CS-926DI
 -Complete set with latch and spindle.
 -Shown with K-206 knob.
 OR
 TS-926DI
 -Trim set only. No latch.

Complete sets with tubular latch and spindle.

CS-926 Passage set with 2 1/2" square escutcheon plates P-926.
 CS-926PR Privacy set
 TS-926FD Full dummy.
 TS-926HD Half dummy.

CS-926DI Passage set with 2 1/2" diamond escutcheon plates P-926DI.
 CS-926DI-PR Privacy set
 TS-926DI-FD Full dummy.
 TS-926DI-HD Half dummy.

2 3/8" or 2 3/4" backset standard. Please specify.
 Always specify lever/knob design.

Trim sets for tubular latch with spindle, no latch included.

TS-926 Passage set with 2 1/2" square escutcheon plates P-926.
 TS-926PR Privacy set
 TS-926FD Full dummy.
 TS-926HD Half dummy.

TS-926DI Passage set with 2 1/2" diamond escutcheon plates P-926DI.
 TS-926DI-PR Privacy set
 TS-926DI-FD Full dummy.
 TS-926DI-HD Half dummy.

Specify manufacturer, model number, and function of latch to be used.
 Always specify lever/knob design.

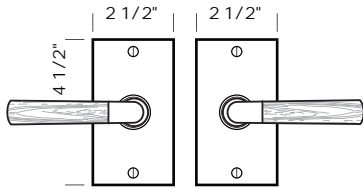
PROPRIETARY AND CONFIDENTIAL: The information contained in this drawing is the sole property of Sun Valley Bronze. Any reproduction in part or as a whole without the written permission of Sun Valley Bronze is prohibited.

Revised 02/02/11



9404 TUBULAR LATCH SETS

Illustrations are for demonstration purposes only. Any lever or knob may be substituted for lever or knob shown.



CS-9404
-Complete set with latch and spindle.
-Shown with L-201 lever.
OR
TS-9404
-Trim set only. No latch.

Complete sets with tubular latch and spindle.

CS-9404	Passage set with 2 1/2" x 4 1/2" escutcheon plates P-9404.
CS-9404PR	Privacy set
TS-9404FD	Full dummy.
TS-9404HD	Half dummy.

2 3/8" or 2 3/4" backset standard. Please specify.
Always specify lever/knob design.

Trim sets for tubular latch with spindle, no latch included.

TS-9404	Passage set with 2 1/2" x 4 1/2" escutcheon plates P-9404.
TS-9404PR	Privacy set
TS-9404FD	Full dummy.
TS-9404HD	Half dummy.

Specify manufacturer, model number, and function of latch to be used.
Always specify lever/knob design.

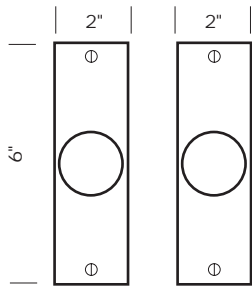
SUN VALLEY BRONZE

PROPRIETARY AND CONFIDENTIAL: The information contained in this drawing is the sole property of Sun Valley Bronze. Any reproduction in part or as a whole without the written permission of Sun Valley Bronze is prohibited.

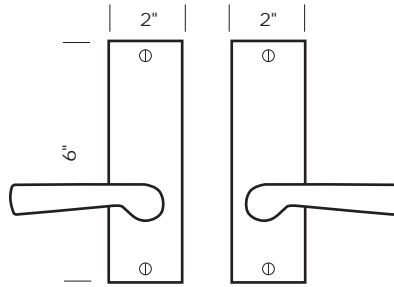
Revised 02/02/11



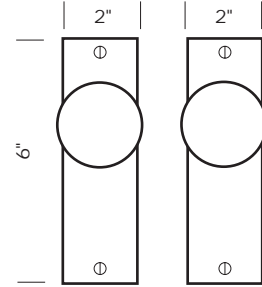
Illustrations are for demonstration purposes only. Any lever or knob may be substituted for lever or knob shown.



CS-949
-Complete set with latch and spindle.
-Shown with K-202 knob.
OR
TS-949
-Trim set only. No latch.



CS-9490H
-Complete set with latch and spindle.
-Shown with L-110 lever.
OR
TS-9490H
-Trim set only. No latch.



CS-F9490H
-Complete set with latch and spindle.
-Shown with K-201 knob.
OR
TS-F9490H
-Trim set only. No latch.

Complete sets with tubular latch and spindle.

CS-949 Passage set with 2" x 6" escutcheon plates P-949.*
CS-949FD Full dummy.
CS-949HD Half dummy.

CS-9490H Passage set with 2" x 6" escutcheon plates P-949.*
CS-949FD Full dummy.
CS-949HD Half dummy.

CS-F9490H Passage set with 2" x 6" escutcheon plates P-949.*
CS-F949FD-OH Full dummy.
CS-F949HD-OH Half dummy.

2 3/8" or 2 3/4" backset standard. Please specify.

Always specify lever/knob design.

*Will not cover 2 1/8" bore.

*Push pin privacy function not available for escutcheons 2" wide or less.

Trim sets for tubular latch with spindle, no latch included.

TS-949 Passage set with 2" x 6" escutcheon plates P-949.*
TS-949FD Full dummy.
TS-949HD Half dummy.

TS-9490H Passage set with 2" x 6" escutcheon plates P-949.*
TS-949FD Full dummy.
TS-949HD Half dummy.

TS-F9490H Passage set with 2" x 6" escutcheon plates P-949.*
TS-F949FD-OH Full dummy.
TS-F949HD-OH Half dummy.

Specify manufacturer, model number, and function of latch to be used.

Always specify lever/knob design.

*Will not cover 2 1/8" bore.

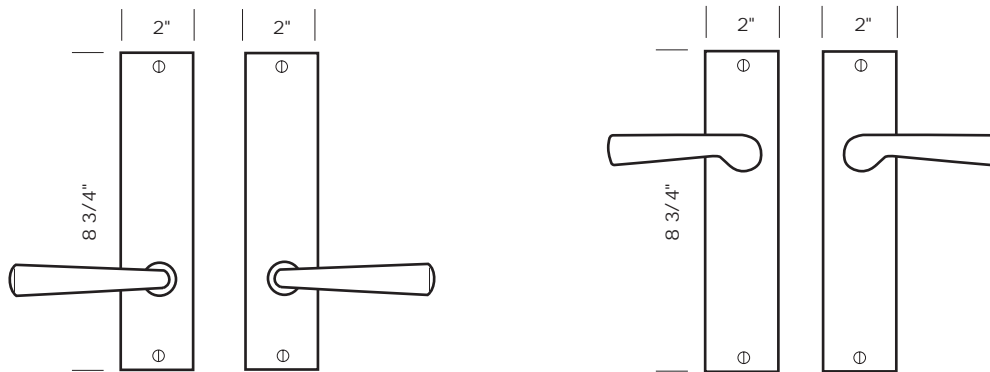
*Push pin privacy function not available for escutcheons 2" wide or less.

PROPRIETARY AND CONFIDENTIAL: The information contained in this drawing is the sole property of Sun Valley Bronze. Any reproduction in part or as a whole without the written permission of Sun Valley Bronze is prohibited.

Revised 02/02/11



Illustrations are for demonstration purposes only. Any lever or knob may be substituted for lever or knob shown.



CS-950
-Complete set with latch and spindle.
-Shown with L-113 lever.
OR
TS-950
-Trim set only. No latch.

CS-F950
-Complete set with latch and spindle.
-Shown with L-110 lever.
OR
TS-F950
-Trim set only. No latch.

Complete sets with tubular latch and spindle.

CS-950 Passage set with 2 " x 8 3/4" escutcheon plates P-950.*
TS-950FD Full dummy.
TS-950HD Half dummy.

CS-F950 Passage set with 2 " x 8 3/4" escutcheon plates PF950.*
TS-F950FD Full dummy.
TS-F950HD Half dummy.

2 3/8" or 2 3/4" backset standard. Please specify.

Always specify lever/knob design.

* Will not cover 2 1/8" bore.

* Push pin privacy function not available for escutcheons 2" wide or less.

Trim sets for tubular latch with spindle, no latch included.

TS-950 Passage set with 2 " x 8 3/4" escutcheon plates P-950.*
TS-950FD Full dummy.
TS-950HD Half dummy.

TS-F950 Passage set with 2 " x 8 3/4" escutcheon plates PF950.*
TS-F950FD Full dummy.
TS-F950HD Half dummy.

Specify manufacturer, model number, and function of latch to be used.

Always specify lever/knob design.

* Will not cover 2 1/8" bore.

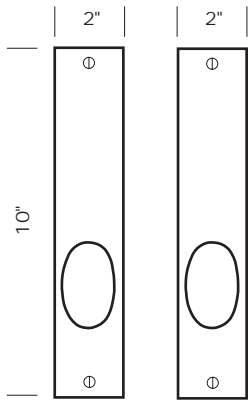
* Push pin privacy function not available for escutcheons 2" wide or less.

PROPRIETARY AND CONFIDENTIAL: The information contained in this drawing is the sole property of Sun Valley Bronze. Any reproduction in part or as a whole without the written permission of Sun Valley Bronze is prohibited.

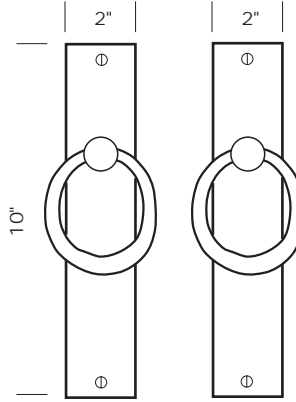
Revised 02/02/11



Illustrations are for demonstration purposes only. Any lever or knob may be substituted for lever or knob shown.



CS-951
 -Complete set with latch and spindle.
 -Shown with K-206 knob.
 OR
 TS-951
 -Trim set only. No latch.



CS-F951
 -Complete set with latch and spindle.
 -Shown with K-211 knob.
 OR
 TS-F951
 -Trim set only. No latch.

Complete sets with tubular latch and spindle.

CS-951 Passage set with 2 " x10" escutcheon plates P-951.*
 TS-951FD Full dummy.
 TS-951HD Half dummy.

CS-F951 Passage set with 2 " x10" escutcheon plates P-F951.*
 TS-F951FD Full dummy.
 TS-F951HD Half dummy.

2 3/8" or 2 3/4" backset standard. Please specify.

Always specify lever/knob design.

*Will not cover 2 1/8" bore.

*Push pin privacy function not available for escutcheons 2" wide or less.

Trim sets for tubular latch with spindle, no latch included.

TS-951 Passage set with 2 " x10" escutcheon plates P-951.*
 TS-951FD Full dummy.
 TS-951HD Half dummy.

TS-F951 Passage set with 2 " x10" escutcheon plates P-F951.*
 TS-F951FD Full dummy.
 TS-F951HD Half dummy.

Specify manufacturer, model number, and function of latch to be used.

Always specify lever/knob design.

*Will not cover 2 1/8" bore.

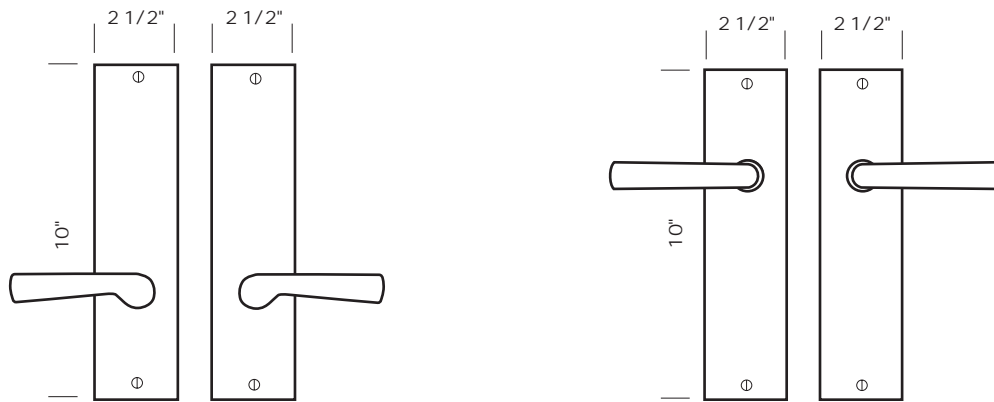
*Push pin privacy function not available for escutcheons 2" wide or less.

PROPRIETARY AND CONFIDENTIAL: The information contained in this drawing is the sole property of Sun Valley Bronze. Any reproduction in part or as a whole without the written permission of Sun Valley Bronze is prohibited.

Revised 02/02/11



Illustrations are for demonstration purposes only. Any lever or knob may be substituted for lever or knob shown.



CS-952
-Complete set with latch and spindle.
-Shown with L-110 lever.
OR
TS-952
-Trim set only. No latch.

CS-F952
-Complete set with latch and spindle.
-Shown with L-112 lever.
OR
TS-F952
-Trim set only. No latch.

Complete sets with tubular latch and spindle.

CS-952	Passage set with 2 1/2" x 10" escutcheon plates P-952.
CS-952PR	Privacy set
TS-952FD	Full dummy.
TS-952HD	Half dummy.

CS-F952	Passage set with 2 1/2" x 10" escutcheon plates PF952.
CS-F952PR	Privacy set
TS-F952FD	Full dummy.
TS-F952HD	Half dummy.

2 3/8" or 2 3/4" backset standard. Please specify.
Always specify lever/knob design.

Trim sets for tubular latch with spindle, no latch included.

TS-952	Passage set with 2 1/2" x 10" escutcheon plates P-952.
TS-952PR	Privacy set
TS-952FD	Full dummy.
TS-952HD	Half dummy.

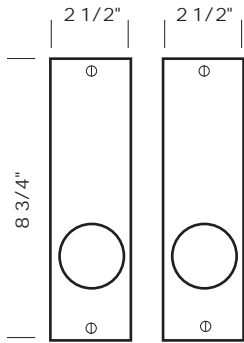
TS-F952	Passage set with 2 1/2" x 10" escutcheon plates PF952.
TS-F952PR	Privacy set
TS-F952FD	Full dummy.
TS-F952HD	Half dummy.

Specify manufacturer, model number, and function of latch to be used.
Always specify lever/knob design.

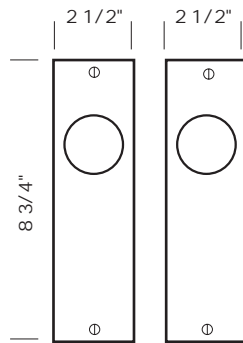
PROPRIETARY AND CONFIDENTIAL: The information contained in this drawing is the sole property of Sun Valley Bronze. Any reproduction in part or as a whole without the written permission of Sun Valley Bronze is prohibited. Revised 02/02/11



Illustrations are for demonstration purposes only. Any lever or knob may be substituted for lever or knob shown.



CS-953
-Complete set with latch and spindle.
-Shown with K-201 knob.
OR
TS-953
-Trim set only. No latch.



CS-F953
-Complete set with latch and spindle.
-Shown with K-202 knob.
OR
TS-F953
-Trim set only. No latch.

Complete sets with tubular latch and spindle.

CS-953	Passage set with 2 1/2" x 8 3/4" escutcheon plates P-953.
CS-953PR	Privacy set
TS-953FD	Full dummy.
TS-953HD	Half dummy.

CS-F953	Passage set with 2 1/2" x 8 3/4" escutcheon plates PF953.
CS-F953PR	Privacy set
TS-F953FD	Full dummy.
TS-F953HD	Half dummy.

2 3/8" or 2 3/4" backset standard. Please specify.
Always specify lever/knob design.

Trim sets for tubular latch with spindle, no latch included.

TS-953	Passage set with 2 1/2" x 8 3/4" escutcheon plates P-953.
TS-953PR	Privacy set
TS-953FD	Full dummy.
TS-953HD	Half dummy.

TS-F953	Passage set with 2 1/2" x 8 3/4" escutcheon plates PF953.
TS-F953PR	Privacy set
TS-F953FD	Full dummy.
TS-F953HD	Half dummy.

Specify manufacturer, model number, and function of latch to be used.
Always specify lever/knob design.

PROPRIETARY AND CONFIDENTIAL: The information contained in this drawing is the sole property of Sun Valley Bronze. Any reproduction in part or as a whole without the written permission of Sun Valley Bronze is prohibited.

Revised 02/02/11



