

INTERIOR MORTISE LOCK PASSAGE & PRIVACY SETS

CONTENTS

This section contains Complete Interior Mortise Lock Sets and Trim Only Interior Mortise Lock Sets. Complete Sets include bronze trim, medium duty interior mortise lock, spindle, fasteners and installation instructions. All Complete Interior Mortise Lock Set part numbers begin with CS. NOTE: Heavy duty interior mortise locks are available. Please specify and price accordingly. Trim Only Sets include bronze trim, spindle, fasteners, and installation instructions. No locks are included. All Trim Only Interior Mortise Lock Set part numbers begin with TS. Interior Mortise Lock Trim Sets can be machined to be compatible with most high quality mortise locks. The lock manufacturer, model number, and function must be specified when ordering Trim Only Sets. Refer to Section 2 for knob, lever, key cover and turn piece options.

TABLE OF CONTENTS:

400 Series Interior Mortise Lock Entry Sets	Pages	11-2 - 11-25
600 Series Interior Mortise Lock Entry Sets	Pages	11-26 - 11-33
OP700 Series Interior Mortise Lock Entry Sets	Pages	11-34 - 11-35
800 Series Interior Mortise Lock Entry Sets	Pages	11-36 - 11-39
900 Series Interior Mortise Lock Entry Sets	Pages	11-40 - 11-55
1200 Series Interior Mortise Lock Entry Sets	Pages	11-56 - 11-61
Ridge Collection	Pages	11-62 - 11-69
Banded Corrugated Collection	Pages	11-70 - 11-73
Hampton Collection	Pages	11-74 - 11-77
Trellis Collection	Pages	11-78 - 11-81
Deco Collection	Pages	11-82 - 11-85
Corrugated Collection	Pages	11-86 - 11-89
Bandbox Collection	Pages	11-90 - 11-93
Hand Peened Collection	Pages	11-94 - 11-97
Inlay Collection	Pages	11-98 - 11-101
Circles Collection	Page	11-102
Squares Collection	Page	11-103
Corduroy Collection	Pages	11-104 - 11-107

ORDERING INSTRUCTIONS:

Complete Sets: Always provide quantity, item number, lever/knob number, function, patina, door handing, backset and door thickness.

* Example of order for 802 Series handle x lever double cylinder Complete Interior Mortise Lock Entry Set

QTY	ITEM#/LEVER#	FUNCTION	PATINA	HANDING	BACKSET	THICKNESS
1	CS-FA41OIMLPR/K201	Privacy	S3	LH	2 1/2"	1 3/4"

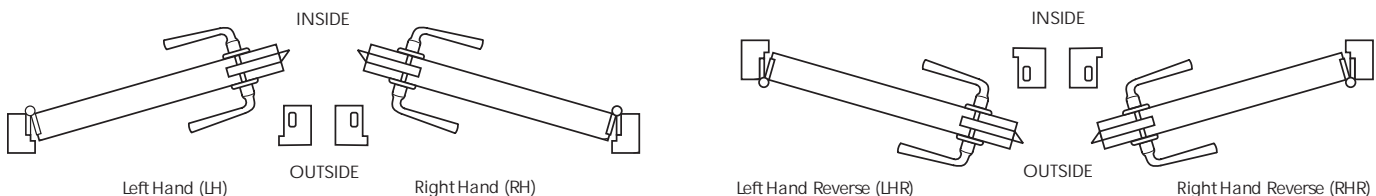
Trim Sets: Always provide quantity, item number, lever/knob number, lock manufacturer, model number, function, patina, handing, backset, and thickness.

* Example of order for 701 Series handle x lever Trim Only Interior Mortise Lock Entry Set

QTY	ITEM#/LEVER#	FUNCTION	PATINA	HANDING	BACKSET	THICKNESS
1	TS-98OIMLPR/L110	Baldwin 8530 Passage	W1	RH	2 1/2"	2 1/4"

Custom Sets: See Custom Ordering Instructions in the General Information section at front of binder.

DOOR HANDING GUIDE:

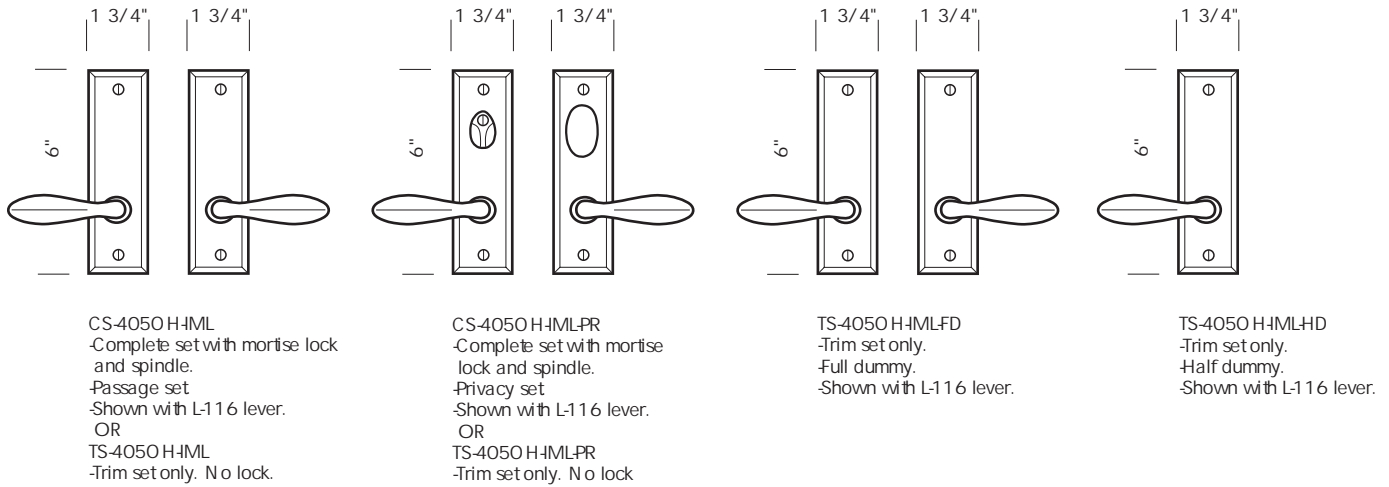


Revised 07/14/11



405 INTERIOR MORTISE LOCK PASSAGE & PRIVACY SETS

Illustrations are for demonstration purposes only. Any lever or knob may be substituted for lever or knob shown.



Complete sets with interior mortise lock and spindle.

CS-4050 H-IML Passage set
1 3/4" x 6" escutcheon plate P-4050 H-IML
1 3/4" x 6" escutcheon plate P-4050 H-IML

CS-4050 H-IMLPR Privacy set

TS-4050 H-IMLFD Full dummy.

TS-4050 H-IMLHD Half dummy.

2 1/2" or 2 3/4" backset standard. Please specify.

Custom backsets available. Call for options and pricing.

Door handing and thickness is required for all Interior Mortise Lock Passage & Privacy Sets.

Always specify lever/knob design.

Trim sets for interior mortise locks with spindle, no lock included.

TS-4050 H-IML Passage set
1 3/4" x 6" escutcheon plate P-4050 H-IML
1 3/4" x 6" escutcheon plate P-4050 H-IML

TS-4050 H-IMLPR Privacy set

TS-4050 H-IMLFD Full dummy.

TS-4050 H-IMLHD Half dummy.

Specify manufacturer and function of mortise case to be used.

Door handing and thickness is required for all Interior Mortise Lock Passage & Privacy Sets.

Always specify lever/knob design.

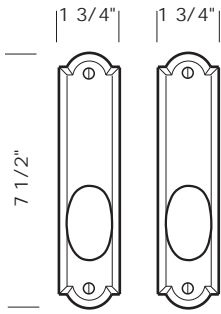
PROPRIETARY AND CONFIDENTIAL: The information contained in this drawing is the sole property of Sun Valley Bronze. Any reproduction in part or as a whole without the written permission of Sun Valley Bronze is prohibited.

Revised 07/14/11

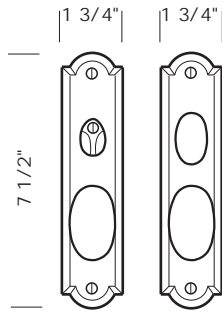


A 405 INTERIOR MORTISE LOCK PASSAGE & PRIVACY SETS

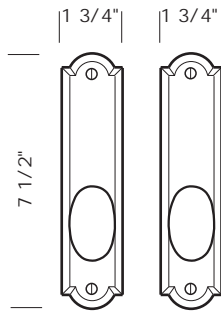
Illustrations are for demonstration purposes only. Any lever or knob may be substituted for lever or knob shown.



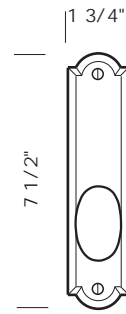
CSA 4050 H-IML
-Complete set with mortise lock and spindle.
-Passage set
-Shown with K-206 knob.
OR
TS-A 4050 H-IML
-Trim set only. No lock.



CSA 4050 H-IML-PR
-Complete set with mortise lock and spindle.
-Privacy set
-Shown with K-206 knob.
OR
TS-A 4050 H-IML-PR
-Trim set only. No lock



TS-A 4050 H-IML-FD
-Trim set only.
-Full dummy.
-Shown with K-206 knob.



TS-A 4050 H-IML-HD
-Trim set only.
-Half dummy.
-Shown with K-206 knob.

Complete sets with interior mortise lock and spindle.

CSA 4050 H-IML Passage set
1 3/4" x 7 1/2" escutcheon plate PA 4050 H-IML
1 3/4" x 7 1/2" escutcheon plate PA 4050 H-IML

CSA 4050 H-IML-PR Privacy set

TS-A 4050 H-IML-FD Full dummy.

TS-A 4050 H-IML-HD Half dummy.

2 1/2" or 2 3/4" backset standard. Please specify.

Custom backsets available. Call for options and pricing.

Door handing and thickness is required for all Interior Mortise Lock Passage & Privacy Sets.

Always specify lever/knob design.

Trim sets for interior mortise locks with spindle, no lock included.

TS-A 4050 H-IML Passage set
1 3/4" x 7 1/2" escutcheon plate PA 4050 H-IML
1 3/4" x 7 1/2" escutcheon plate PA 4050 H-IML

TS-A 4050 H-IML-PR Privacy set

TS-A 4050 H-IML-FD Full dummy.

TS-A 4050 H-IML-HD Half dummy.

Specify manufacturer and function of mortise case to be used.

Door handing and thickness is required for all Interior Mortise Lock Passage & Privacy Sets.

Always specify lever/knob design.

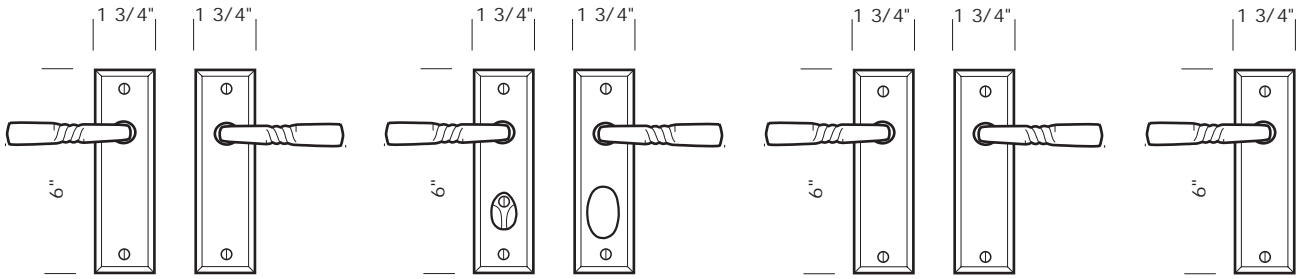
PROPRIETARY AND CONFIDENTIAL: The information contained in this drawing is the sole property of Sun Valley Bronze. Any reproduction in part or as a whole without the written permission of Sun Valley Bronze is prohibited.

Revised 07/14/11



F405 INTERIOR MORTISE LOCK PASSAGE & PRIVACY SETS

Illustrations are for demonstration purposes only. Any lever or knob may be substituted for lever or knob shown.



CS-F4050 H-IML
-Complete set with mortise lock and spindle.
-Passage set
-Shown with L-117 lever.
OR
TS-F4050 H-IML
-Trim set only. No lock.

CS-F4050 H-IML-PR
-Complete set with mortise lock and spindle.
-Privacy set
-Shown with L-117 lever.
OR
TS-F4050 H-IML-PR
-Trim set only. No lock.

TS-F4050 H-IML-FD
-Trim set only.
-Full dummy.
-Shown with L-117 lever.

TS-F4050 H-IML-HD
-Trim set only.
-Half dummy.
-Shown with L-117 lever.

Complete sets with interior mortise lock and spindle.

- | | |
|-------------------|---|
| CS-F4050 H-IML | Passage set
1 3/4" x 6" escutcheon plate PF4050 H-IML
1 3/4" x 6" escutcheon plate PF4050 H-IML |
| CS-F4050 H-IML-PR | Privacy set |
| TS-F4050 H-IML-FD | Full dummy. |
| TS-F4050 H-IML-HD | Half dummy. |

2 1/2" or 2 3/4" backset standard. Please specify.

Custom backsets available. Call for options and pricing.

Door handing and thickness is required for all Interior Mortise Lock Passage & Privacy Sets.

Always specify lever/knob design.

Trim sets for interior mortise locks with spindle, no lock included.

- | | |
|-------------------|---|
| TS-F4050 H-IML | Passage set
1 3/4" x 6" escutcheon plate PF4050 H-IML
1 3/4" x 6" escutcheon plate PF4050 H-IML |
| TS-F4050 H-IML-PR | Privacy set |
| TS-F4050 H-IML-FD | Full dummy. |
| TS-F4050 H-IML-HD | Half dummy. |

Specify manufacturer and function of mortise case to be used.

Door handing and thickness is required for all Interior Mortise Lock Passage & Privacy Sets.

Always specify lever/knob design.

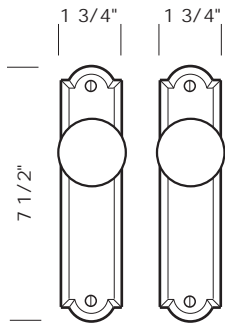
PROPRIETARY AND CONFIDENTIAL: The information contained in this drawing is the sole property of Sun Valley Bronze. Any reproduction in part or as a whole without the written permission of Sun Valley Bronze is prohibited.

Revised 07/14/11

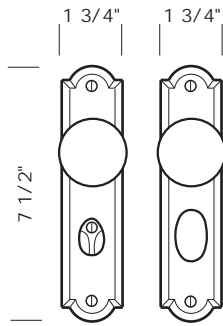


FA 405 INTERIOR MORTISE LOCK PASSAGE & PRIVACY SETS

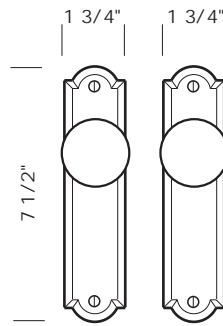
Illustrations are for demonstration purposes only. Any lever or knob may be substituted for lever or knob shown.



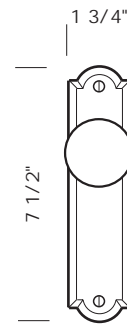
CS-FA 4050 H-IML
-Complete set with mortise lock and spindle.
-Passage set
-Shown with K-202 knob.
OR
TS-FA 4050 H-IML
-Trim set only. No lock.



CS-FA 4050 H-IMLPR
-Complete set with mortise lock and spindle.
-Privacy set
-Shown with K-202 knob.
OR
TS-FA 4050 H-IMLPR
-Trim set only. No lock.



TS-FA 4050 H-IMLFD
-Trim set only.
-Full dummy.
-Shown with K-202 knob.



TS-FA 4050 H-IMLHD
-Trim set only.
-Half dummy.
-Shown with K-202 knob.

Complete sets with interior mortise lock and spindle.

CS-FA 4050 H-IML Passage set
1 3/4" x 7 1/2" escutcheon plate P-FA 4050 H-IML
1 3/4" x 7 1/2" escutcheon plate P-FA 4050 H-IML

CS-FA 4050 H-IMLPR Privacy set

TS-FA 4050 H-IMLFD Full dummy.

TS-FA 4050 H-IMLHD Half dummy.

2 1/2" or 2 3/4" backset standard. Please specify.

Custom backsets available. Call for options and pricing.

Door handing and thickness is required for all Interior Mortise Lock Passage & Privacy Sets.

Always specify lever/knob design.

Trim sets for interior mortise locks with spindle, no lock included.

TS-FA 4050 H-IML Passage set
1 3/4" x 7 1/2" escutcheon plate P-FA 4050 H-IML
1 3/4" x 7 1/2" escutcheon plate P-FA 4050 H-IML

TS-FA 4050 H-IMLPR Privacy set

TS-FA 4050 H-IMLFD Full dummy.

TS-FA 4050 H-IMLHD Half dummy.

Specify manufacturer and function of mortise case to be used.

Door handing and thickness is required for all Interior Mortise Lock Passage & Privacy Sets.

Always specify lever/knob design.

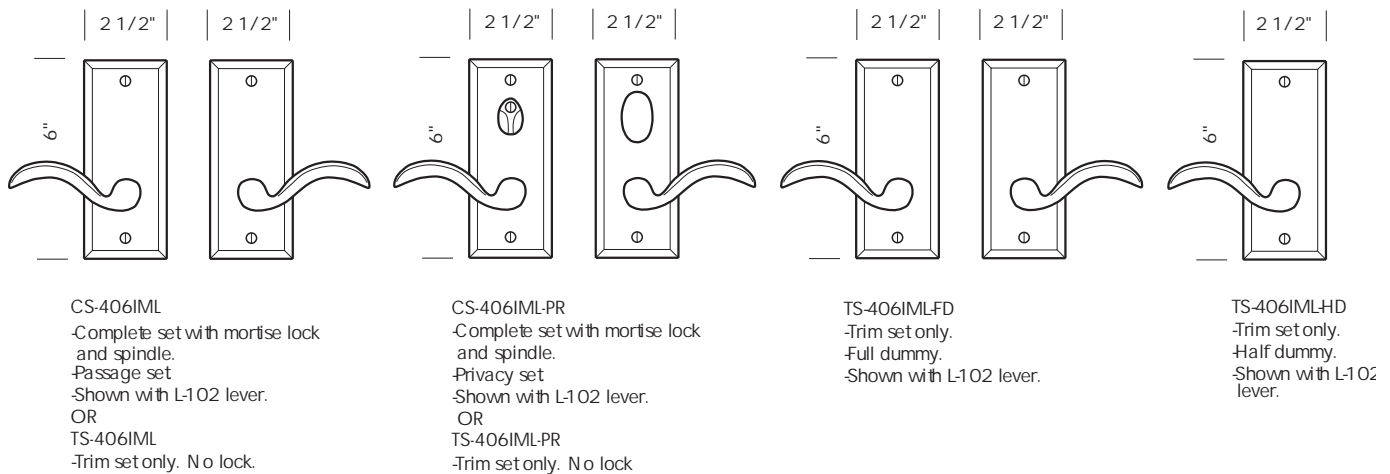
PROPRIETARY AND CONFIDENTIAL: The information contained in this drawing is the sole property of Sun Valley Bronze. Any reproduction in part or as a whole without the written permission of Sun Valley Bronze is prohibited.

Revised 07/14/11



406 INTERIOR MORTISE LOCK PASSAGE & PRIVACY SETS

Illustrations are for demonstration purposes only. Any lever or knob may be substituted for lever or knob shown.



Complete sets with interior mortise lock and spindle.

CS-406IML	Passage set 2 1/2" x 6" escutcheon plate P-406IML 2 1/2" x 6" escutcheon plate P-406IML
CS-406IML-PR	Privacy set
TS-406IMLFD	Full dummy.
TS-406IMLHD	Half dummy.

2 1/2" or 2 3/4" backset standard. Please specify.

Custom backsets available. Call for options and pricing.

Door handing and thickness is required for all Interior Mortise Lock Passage & Privacy Sets.

Always specify lever/knob design.

Trim sets for interior mortise locks with spindle, no lock included.

TS-406IML	Passage set 2 1/2" x 6" escutcheon plate P-406IML 2 1/2" x 6" escutcheon plate P-406IML
TS-406IML-PR	Privacy set
TS-406IMLFD	Full dummy.
TS-406IMLHD	Half dummy.

Specify manufacturer and function of mortise case to be used.

Door handing and thickness is required for all Interior Mortise Lock Passage & Privacy Sets.

Always specify lever/knob design.

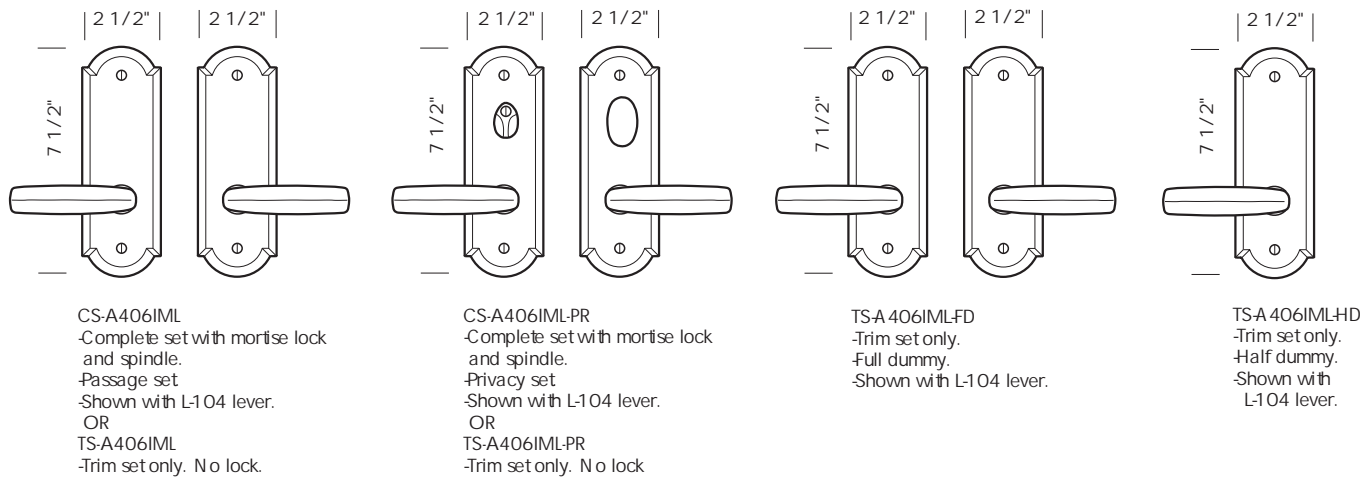
PROPRIETARY AND CONFIDENTIAL: The information contained in this drawing is the sole property of Sun Valley Bronze. Any reproduction in part or as a whole without the written permission of Sun Valley Bronze is prohibited.

Revised 07/14/11



A406 INTERIOR MORTISE LOCK PASSAGE & PRIVACY SETS

Illustrations are for demonstration purposes only. Any lever or knob may be substituted for lever or knob shown.



Complete sets with interior mortise lock and spindle.

CS-A406IML	Passage set 2 1/2" x 7 1/2" escutcheon plate PA 406IML 2 1/2" x 7 1/2" escutcheon plate PA 406IML
CS-A406IML-PR	Privacy set
TSA406IML-FD	Full dummy.
TSA406IMLHD	Half dummy.

2 1/2" or 2 3/4" backset standard. Please specify.

Custom backsets available. Call for options and pricing.

Door handing and thickness is required for all Interior Mortise Lock Passage & Privacy Sets.

Always specify lever/knob design.

Trim sets for interior mortise locks with spindle, no lock included.

TS-A406IML	Passage set 2 1/2" x 7 1/2" escutcheon plate PA 406IML 2 1/2" x 7 1/2" escutcheon plate PA 406IML
TS-A406IML-PR	Privacy set
TSA406IML-FD	Full dummy.
TSA406IMLHD	Half dummy.

Specify manufacturer and function of mortise case to be used.

Door handing and thickness is required for all Interior Mortise Lock Passage & Privacy Sets.

Always specify lever/knob design.

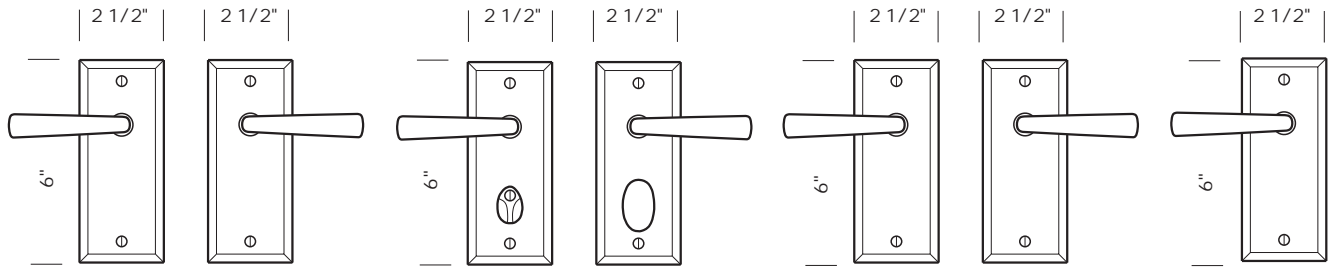
PROPRIETARY AND CONFIDENTIAL: The information contained in this drawing is the sole property of Sun Valley Bronze. Any reproduction in part or as a whole without the written permission of Sun Valley Bronze is prohibited.

Revised 07/14/11



F406 INTERIOR MORTISE LOCK PASSAGE & PRIVACY SETS

Illustrations are for demonstration purposes only. Any lever or knob may be substituted for lever or knob shown.



CS-F406IML
 Complete set with mortise lock
 and spindle.
 Passage set
 Shown with L-106 lever.
 OR
 TS-F406IML
 Trim set only. No lock.

CS-F406IML-PR
 Complete set with mortise lock
 and spindle.
 Privacy set
 Shown with L-106 lever.
 OR
 TS-F406IML-PR
 Trim set only. No lock

TS-F406IML-FD
 Trim set only.
 Full dummy.
 Shown with L-106 lever.

TS-F406IML-HD
 Trim set only.
 Half dummy.
 Shown with
 L-106 lever.

Complete sets with interior mortise lock and spindle.

CS-F406IML Passage set
 2 1/2" x 6" escutcheon plate PF406IML
 2 1/2" x 6" escutcheon plate PF406IML

CS-F406IML-PR Privacy set

TS-F406IML-FD Full dummy.

TS-F406IML-HD Half dummy.

2 1/2" or 2 3/4" backset standard. Please specify.

Custom backsets available. Call for options and pricing.

Door handing and thickness is required for all Interior Mortise Lock Passage & Privacy Sets.

Always specify lever/knob design.

Trim sets for interior mortise locks with spindle, no lock included.

TS-F406IML Passage set
 2 1/2" x 6" escutcheon plate PF406IML
 2 1/2" x 6" escutcheon plate PF406IML

TS-F406IML-PR Privacy set

TS-F406IML-FD Full dummy.

TS-F406IML-HD Half dummy.

Specify manufacturer and function of mortise case to be used.

Door handing and thickness is required for all Interior Mortise Lock Passage & Privacy Sets.

Always specify lever/knob design.

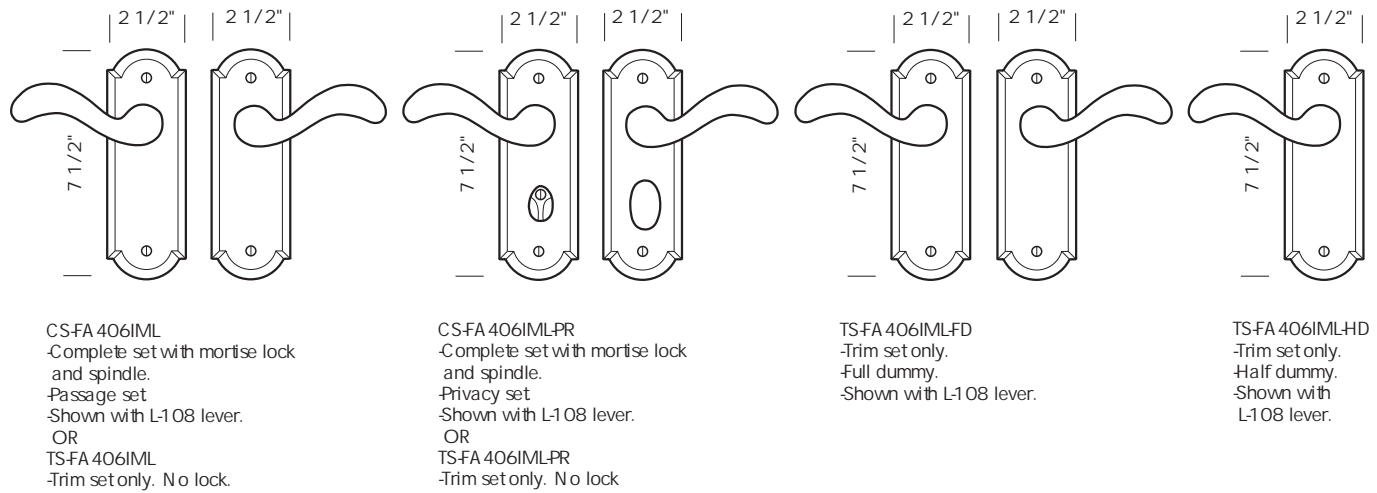
PROPRIETARY AND CONFIDENTIAL: The information contained in this drawing is the sole property of Sun Valley Bronze. Any reproduction in part or as a whole without the written permission of Sun Valley Bronze is prohibited.

Revised 07/14/11



FA 406 INTERIOR MORTISE LOCK PASSAGE & PRIVACY SETS

Illustrations are for demonstration purposes only. Any lever or knob may be substituted for lever or knob shown.



CS-FA 406IML
-Complete set with mortise lock and spindle.
-Passage set.
-Shown with L-108 lever.
OR
TS-FA 406IML
-Trim set only. No lock.

CS-FA 406IML-PR
-Complete set with mortise lock and spindle.
-Privacy set.
-Shown with L-108 lever.
OR
TS-FA 406IML-PR
-Trim set only. No lock.

TS-FA 406IML-FD
-Trim set only.
-Full dummy.
-Shown with L-108 lever.

TS-FA 406IML-HD
-Trim set only.
-Half dummy.
-Shown with L-108 lever.

Complete sets with interior mortise lock and spindle.

CS-FA 406IML Passage set
2 1/2" x 7 1/2" escutcheon plate P-FA 406IML
2 1/2" x 7 1/2" escutcheon plate P-FA 406IML

CS-FA 406IML-PR Privacy set

TS-FA 406IML-FD Full dummy.

TS-FA 406IML-HD Half dummy.

2 1/2" or 2 3/4" backset standard. Please specify.

Custom backsets available. Call for options and pricing.

Door handing and thickness is required for all Interior Mortise Lock Passage & Privacy Sets.

Always specify lever/knob design.

Trim sets for interior mortise locks with spindle, no lock included.

TS-FA 406IML Passage set
2 1/2" x 7 1/2" escutcheon plate P-FA 406IML
2 1/2" x 7 1/2" escutcheon plate P-FA 406IML

TS-FA 406IML-PR Privacy set

TS-FA 406IML-FD Full dummy.

TS-FA 406IML-HD Half dummy.

Specify manufacturer and function of mortise case to be used.

Door handing and thickness is required for all Interior Mortise Lock Passage & Privacy Sets.

Always specify lever/knob design.

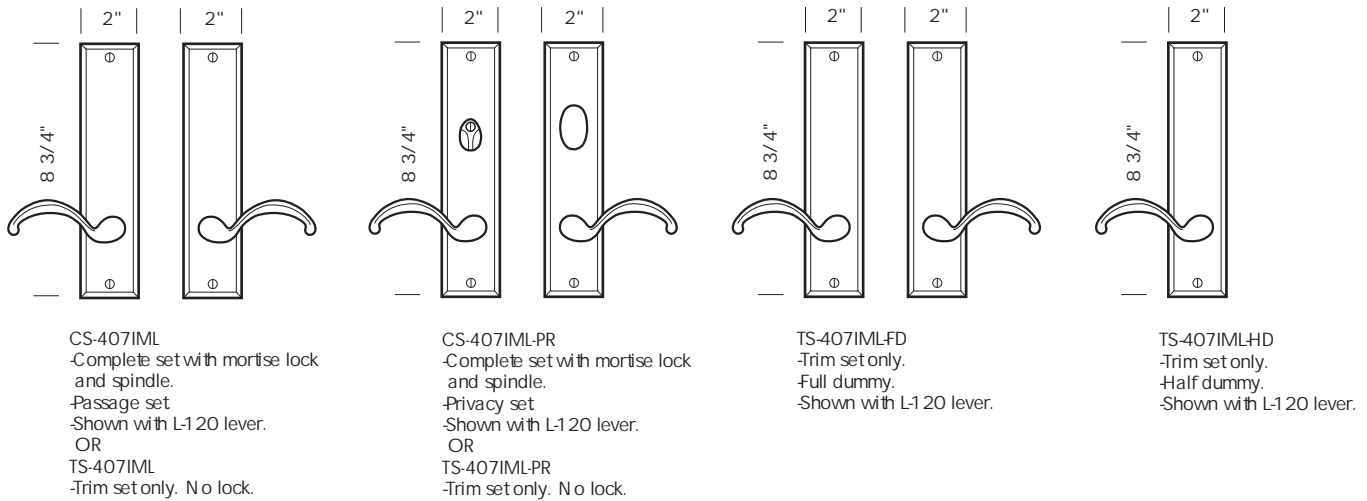
PROPRIETARY AND CONFIDENTIAL: The information contained in this drawing is the sole property of Sun Valley Bronze. Any reproduction in part or as a whole without the written permission of Sun Valley Bronze is prohibited.

Revised 07/14/11



407 INTERIOR MORTISE LOCK PASSAGE & PRIVACY SETS

Illustrations are for demonstration purposes only. Any lever or knob may be substituted for lever or knob shown.



Complete sets with interior mortise lock and spindle.

CS-407IML Passage set
2" x 8 3/4" escutcheon plate P-407IML
2" x 8 3/4" escutcheon plate P-407IML

CS-407IML-PR Privacy set

TS-407IML-FD Full dummy.

TS-407IML-HD Half dummy.

2 1/2" or 2 3/4" backset standard. Please specify.

Custom backsets available. Call for options and pricing.

Door handing and thickness is required for all Interior Mortise Lock Passage & Privacy Sets.

Always specify lever/knob design.

Trim sets for interior mortise locks with spindle, no lock included.

TS-407IML Passage set
2" x 8 3/4" escutcheon plate P-407IML
2" x 8 3/4" escutcheon plate P-407IML

TS-407IML-PR Privacy set

TS-407IML-FD Full dummy.

TS-407IML-HD Half dummy.

Specify manufacturer and function of mortise case to be used.

Door handing and thickness is required for all Interior Mortise Lock Passage & Privacy Sets.

Always specify lever/knob design.

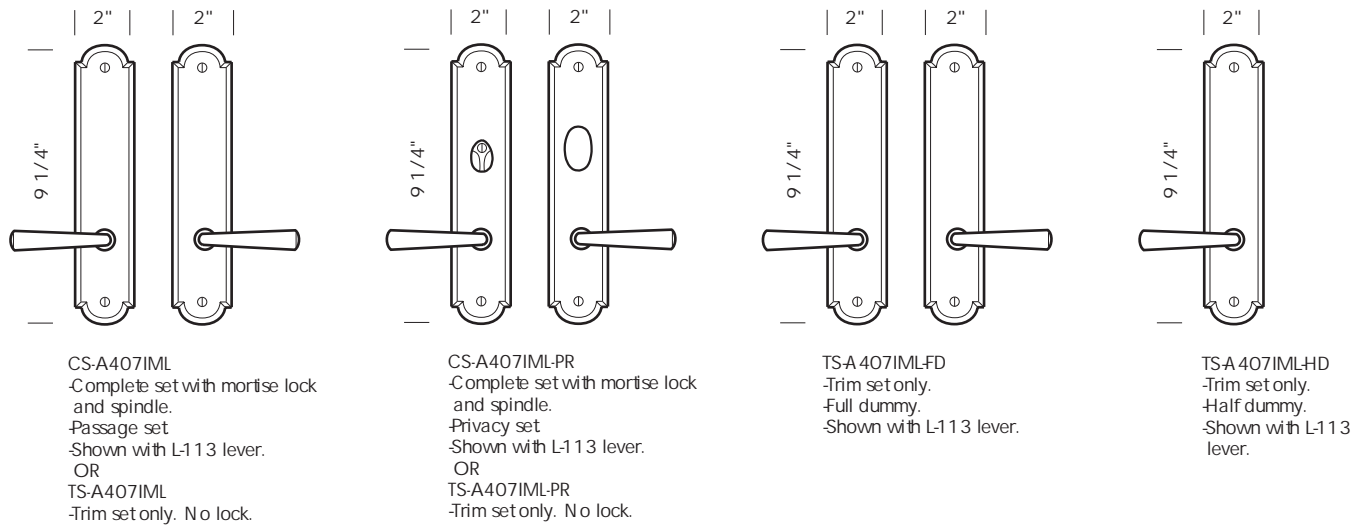
PROPRIETARY AND CONFIDENTIAL: The information contained in this drawing is the sole property of Sun Valley Bronze. Any reproduction in part or as a whole without the written permission of Sun Valley Bronze is prohibited.

Revised 07/14/11



A407 INTERIOR MORTISE LOCK PASSAGE & PRIVACY SETS

Illustrations are for demonstration purposes only. Any lever or knob may be substituted for lever or knob shown.



Complete sets with interior mortise lock and spindle.

CS-A407IML Passage set
 2" x 9 1/4" escutcheon plate PA 407IML
 2" x 9 1/4" escutcheon plate PA 407IML

CS-A407IML-PR Privacy set

TSA 407IML-FD Full dummy.

TSA 407IML-HD Half dummy.

2 1/2" or 2 3/4" backset standard. Please specify.

Custom backsets available. Call for options and pricing.

Door handing and thickness is required for all Interior Mortise Lock Passage & Privacy Sets.

Always specify lever/knob design.

Trim sets for interior mortise locks with spindle, no lock included.

TS-A407IML Passage set
 2" x 9 1/4" escutcheon plate PA 407IML
 2" x 9 1/4" escutcheon plate PA 407IML

TS-A407IML-PR Privacy set

TSA 407IML-FD Full dummy.

TSA 407IML-HD Half dummy.

Specify manufacturer and function of mortise case to be used.

Door handing and thickness is required for all Interior Mortise Lock Passage & Privacy Sets.

Always specify lever/knob design.

PROPRIETARY AND CONFIDENTIAL: The information contained in this drawing is the sole property of Sun Valley Bronze. Any reproduction in part or as a whole without the written permission of Sun Valley Bronze is prohibited.

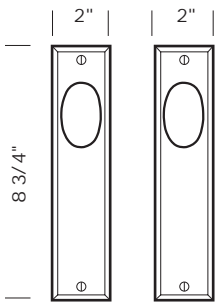
Revised 07/14/11

SUN VALLEY BRONZE

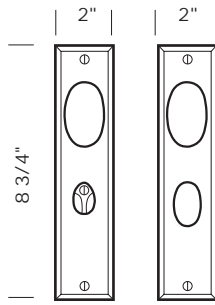


F407 INTERIOR MORTISE LOCK PASSAGE & PRIVACY SETS

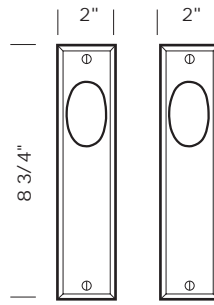
Illustrations are for demonstration purposes only. Any lever or knob may be substituted for lever or knob shown.



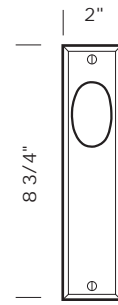
CS-F407IML
-Complete set with mortise lock and spindle.
-Passage set
-Shown with K-206 knob.
OR
TS-F407IML
-Trim set only. No lock.



CS-F407IML-PR
-Complete set with mortise lock and spindle.
-Privacy set
-Shown with K-206 knob.
OR
TS-F407IML-PR
-Trim set only. No lock.



TS-F407IMLFD
-Trim set only.
-Full dummy.
-Shown with K-206 knob.



TS-F407IMLHD
-Trim set only.
-Half dummy.
-Shown with K-206 knob.

Complete sets with interior mortise lock and spindle.

CS-F407IML Passage set
2" x 8 3/4" escutcheon plate PF407IML
2" x 8 3/4" escutcheon plate PF407IML

CS-F407IML-PR Privacy set

TS-F407IMLFD Full dummy.

TS-F407IMLHD Half dummy.

2 1/2" or 2 3/4" backset standard. Please specify.

Custom backsets available. Call for options and pricing.

Door handing and thickness is required for all Interior Mortise Lock Passage & Privacy Sets.

Always specify lever/knob design.

Trim sets for interior mortise locks with spindle, no lock included.

TS-F407IML Passage set
2" x 8 3/4" escutcheon plate PF407IML
2" x 8 3/4" escutcheon plate PF407IML

TS-F407IML-PR Privacy set

TS-F407IMLFD Full dummy.

TS-F407IMLHD Half dummy.

Specify manufacturer and function of mortise case to be used.

Door handing and thickness is required for all Interior Mortise Lock Passage & Privacy Sets.

Always specify lever/knob design.

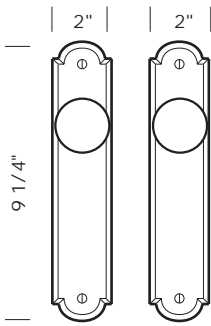
PROPRIETARY AND CONFIDENTIAL: The information contained in this drawing is the sole property of Sun Valley Bronze. Any reproduction in part or as a whole without the written permission of Sun Valley Bronze is prohibited.

Revised 07/14/11

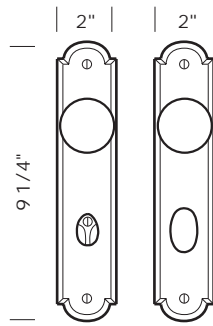


FA 407 INTERIOR MORTISE LOCK PASSAGE & PRIVACY SETS

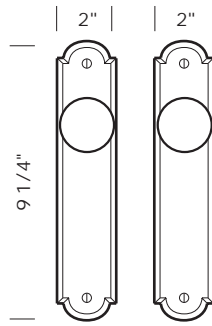
Illustrations are for demonstration purposes only. Any lever or knob may be substituted for lever or knob shown.



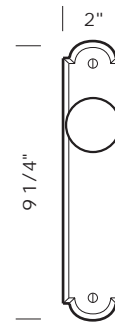
CS-FA 407IML
-Complete set with mortise lock and spindle.
-Passage set
-Shown with K-202 knob.
OR
TS-FA 407IML
-Trim set only. No lock.



CS-FA 407IML-PR
-Complete set with mortise lock and spindle.
-Privacy set
-Shown with K-202 knob.
OR
TS-FA 407IML-PR
-Trim set only. No lock.



TS-FA 407IML-FD
-Trim set only.
-Full dummy.
-Shown with K-202 knob.



TS-FA 407IML-HD
-Trim set only.
-Half dummy.
-Shown with K-202 knob.

Complete sets with interior mortise lock and spindle.

CS-FA 407IML Passage set
2" x 9 1/4" escutcheon plate PFA 407IML
2" x 9 1/4" escutcheon plate PFA 407IML

CS-FA 407IML-PR Privacy set

TS-FA 407IML-FD Full dummy.

TS-FA 407IML-HD Half dummy.

2 1/2" or 2 3/4" backset standard. Please specify.

Custom backsets available. Call for options and pricing.

Door handing and thickness is required for all Interior Mortise Lock Passage & Privacy Sets.

Always specify lever/knob design.

Trim sets for interior mortise locks with spindle, no lock included.

TS-FA 407IML Passage set
2" x 9 1/4" escutcheon plate PFA 407IML
2" x 9 1/4" escutcheon plate PFA 407IML

TS-FA 407IML-PR Privacy set

TS-FA 407IML-FD Full dummy.

TS-FA 407IML-HD Half dummy.

Specify manufacturer and function of mortise case to be used.

Door handing and thickness is required for all Interior Mortise Lock Passage & Privacy Sets.

Always specify lever/knob design.

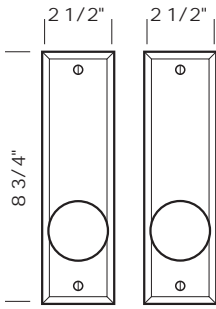
PROPRIETARY AND CONFIDENTIAL: The information contained in this drawing is the sole property of Sun Valley Bronze. Any reproduction in part or as a whole without the written permission of Sun Valley Bronze is prohibited.

Revised 07/14/11

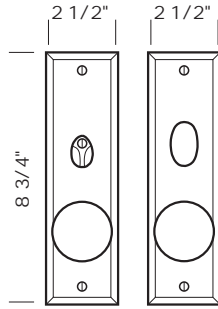


408 INTERIOR MORTISE LOCK PASSAGE & PRIVACY SETS

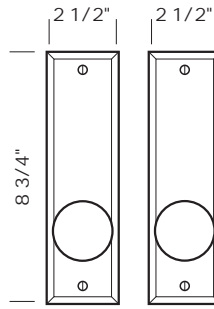
Illustrations are for demonstration purposes only. Any lever or knob may be substituted for lever or knob shown.



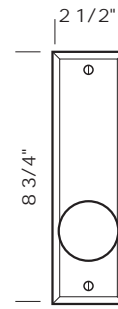
CS-408IML
-Complete set with mortise lock and spindle.
-Passage set
-Shown with K-201 knob.
OR
TS-408IML
-Trim set only. No lock.



CS-408IML-PR
-Complete set with mortise lock and spindle.
-Privacy set
-Shown with K-201 knob.
OR
TS-408IML-PR
-Trim set only. No lock.



TS-408IML-FD
-Trim set only.
-Full dummy.
-Shown with K-201 knob.



TS-408IML-HD
-Trim set only.
-Half dummy.
-Shown with K-201 knob.

Complete sets with interior mortise lock and spindle.

CS-408IML Passage set
2 1/2" x 8 3/4" escutcheon plate P-408IML
2 1/2" x 8 3/4" escutcheon plate P-408IML

CS-408IML-PR Privacy set

TS-408IML-FD Full dummy.

TS-408IML-HD Half dummy.

2 1/2" or 2 3/4" backset standard. Please specify.

Custom backsets available. Call for options and pricing.

Door handing and thickness is required for all Interior Mortise Lock Passage & Privacy Sets.

Always specify lever/knob design.

Trim sets for interior mortise locks with spindle, no lock included.

TS-408IML Passage set
2 1/2" x 8 3/4" escutcheon plate P-408IML
2 1/2" x 8 3/4" escutcheon plate P-408IML

TS-408IML-PR Privacy set

TS-408IML-FD Full dummy.

TS-408IML-HD Half dummy.

Specify manufacturer and function of mortise case to be used.

Door handing and thickness is required for all Interior Mortise Lock Passage & Privacy Sets.

Always specify lever/knob design.

SUN VALLEY BRONZE

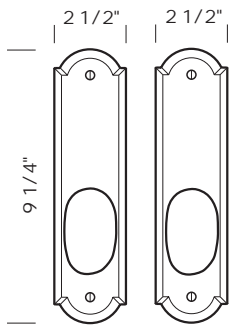
PROPRIETARY AND CONFIDENTIAL: The information contained in this drawing is the sole property of Sun Valley Bronze. Any reproduction in part or as a whole without the written permission of Sun Valley Bronze is prohibited.

Revised 07/14/11

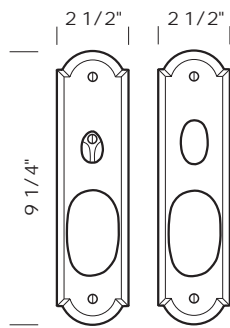


A408 INTERIOR MORTISE LOCK PASSAGE & PRIVACY SETS

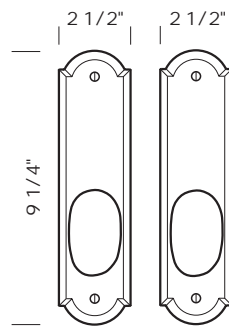
Illustrations are for demonstration purposes only. Any lever or knob may be substituted for lever or knob shown.



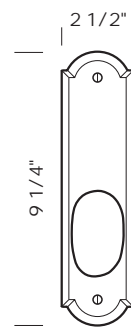
CS-A408IML
-Complete set with mortise lock and spindle.
-Passage set
-Shown with K-205 knob.
OR
TS-A408IML
-Trim set only. No lock.



CS-A408IML-PR
-Complete set with mortise lock and spindle.
-Privacy set
-Shown with K-205 knob.
OR
TS-A408IML-PR
-Trim set only. No lock



TS-A408IMLFD
-Trim set only.
-Full dummy.
-Shown with K-205 knob.



TS-A408IMLHD
-Trim set only.
-Half dummy.
-Shown with K-205 knob.

Complete sets with interior mortise lock and spindle.

CS-A408IML	Passage set 2 1/2" x 9 1/4" escutcheon plate PA 408IML 2 1/2" x 9 1/4" escutcheon plate PA 408IML
CS-A408IML-PR	Privacy set
TS-A408IMLFD	Full dummy.
TS-A408IMLHD	Half dummy.

2 1/2" or 2 3/4" backset standard. Please specify.

Custom backsets available. Call for options and pricing.

Door handing and thickness is required for all Interior Mortise Lock Passage & Privacy Sets.

Always specify lever/knob design.

Trim sets for interior mortise locks with spindle, no lock included.

TS-A408IML	Passage set 2 1/2" x 9 1/4" escutcheon plate PA 408IML 2 1/2" x 9 1/4" escutcheon plate PA 408IML
TS-A408IML-PR	Privacy set
TS-A408IMLFD	Full dummy.
TS-A408IMLHD	Half dummy.

Specify manufacturer and function of mortise case to be used.

Door handing and thickness is required for all Interior Mortise Lock Passage & Privacy Sets.

Always specify lever/knob design.

PROPRIETARY AND CONFIDENTIAL: The information contained in this drawing is the sole property of Sun Valley Bronze. Any reproduction in part or as a whole without the written permission of Sun Valley Bronze is prohibited.

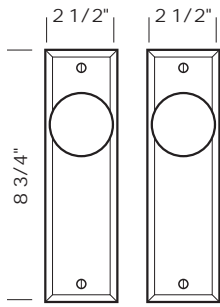
Revised 07/14/11

SUN VALLEY BRONZE

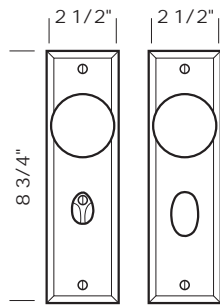


F408 INTERIOR MORTISE LOCK PASSAGE & PRIVACY SETS

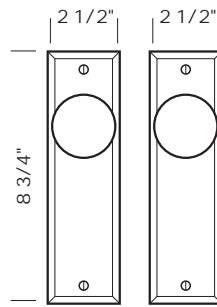
Illustrations are for demonstration purposes only. Any lever or knob may be substituted for lever or knob shown.



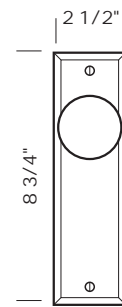
CS-F408IML
 -Complete set with mortise lock and spindle.
 -Passage set
 -Shown with K-208 knob.
 OR
TS-F408IML
 -Trim set only. No lock.



CS-F408 MLPR
 -Complete set with mortise lock and spindle.
 -Privacy set
 -Shown with K-208 knob.
 OR
TS-F408IMLPR
 -Trim set only. No lock.



TS-F408IMLFD
 -Trim set only.
 -Full dummy.
 -Shown with K-208 knob.



TS-F408IMLHD
 -Trim set only.
 -Half dummy.
 -Shown with K-208 knob.

Complete sets with interior mortise lock and spindle.

CS-F408IML Passage set
 2 1/2" x 8 3/4" escutcheon plate PF408IML
 2 1/2" x 8 3/4" escutcheon plate PF408IML

CS-F408IMLPR Privacy set

TS-F408IMLFD Full dummy.

TS-F408IMLHD Half dummy.

2 1/2" or 2 3/4" backset standard. Please specify.

Custom backsets available. Call for options and pricing.

Door handing and thickness is required for all Interior Mortise Lock Passage & Privacy Sets.

Always specify lever/knob design.

Trim sets for interior mortise locks with spindle, no lock included.

TS-F408IML Passage set
 2 1/2" x 8 3/4" escutcheon plate PF408IML
 2 1/2" x 8 3/4" escutcheon plate PF408IML

TS-F408IMLPR Privacy set

TS-F408IMLFD Full dummy.

TS-F408IMLHD Half dummy.

Specify manufacturer and function of mortise case to be used.

Door handing and thickness is required for all Interior Mortise Lock Passage & Privacy Sets.

Always specify lever/knob design.

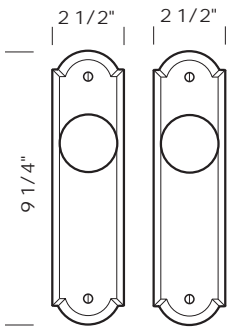
PROPRIETARY AND CONFIDENTIAL: The information contained in this drawing is the sole property of Sun Valley Bronze. Any reproduction in part or as a whole without the written permission of Sun Valley Bronze is prohibited.

Revised 07/14/11

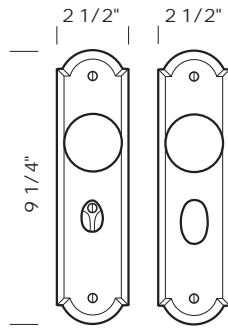


FA 408 INTERIOR MORTISE LOCK PASSAGE & PRIVACY SETS

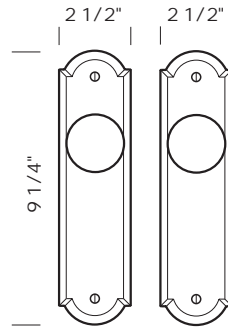
Illustrations are for demonstration purposes only. Any lever or knob may be substituted for lever or knob shown.



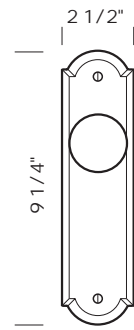
CS-FA 408IML
-Complete set with mortise lock and spindle.
-Passage set
-Shown with K-201 knob.
OR
TS-FA 408IML
-Trim set only. No lock.



CS-FA 408IML-PR
-Complete set with mortise lock and spindle.
-Privacy set
-Shown with K-201 knob.
OR
TS-FA 408IML-PR
-Trim set only. No lock.



TS-FA 408IML-FD
-Trim set only.
-Full dummy.
-Shown with K-201 knob.



TS-FA 408IML-HD
-Trim set only.
-Half dummy.
-Shown with K-201 knob.

Complete sets with interior mortise lock and spindle.

CS-FA 408IML Passage set
2 1/2" x 9 1/4" escutcheon plate P-FA 408IML
2 1/2" x 9 1/4" escutcheon plate P-FA 408IML

CS-FA 408IML-PR Privacy set

TS-FA 408IML-FD Full dummy.

TS-FA 408IML-HD Half dummy.

2 1/2" or 2 3/4" backset standard. Please specify.

Custom backsets available. Call for options and pricing.

Door handing and thickness is required for all Interior Mortise Lock Passage & Privacy Sets.

Always specify lever/knob design.

Trim sets for interior mortise locks with spindle, no lock included.

TS-FA 408IML Passage set
2 1/2" x 9 1/4" escutcheon plate P-FA 408IML
2 1/2" x 9 1/4" escutcheon plate P-FA 408IML

TS-FA 408IML-PR Privacy set

TS-FA 408IML-FD Full dummy.

TS-FA 408IML-HD Half dummy.

Specify manufacturer and function of mortise case to be used.

Door handing and thickness is required for all Interior Mortise Lock Passage & Privacy Sets.

Always specify lever/knob design.

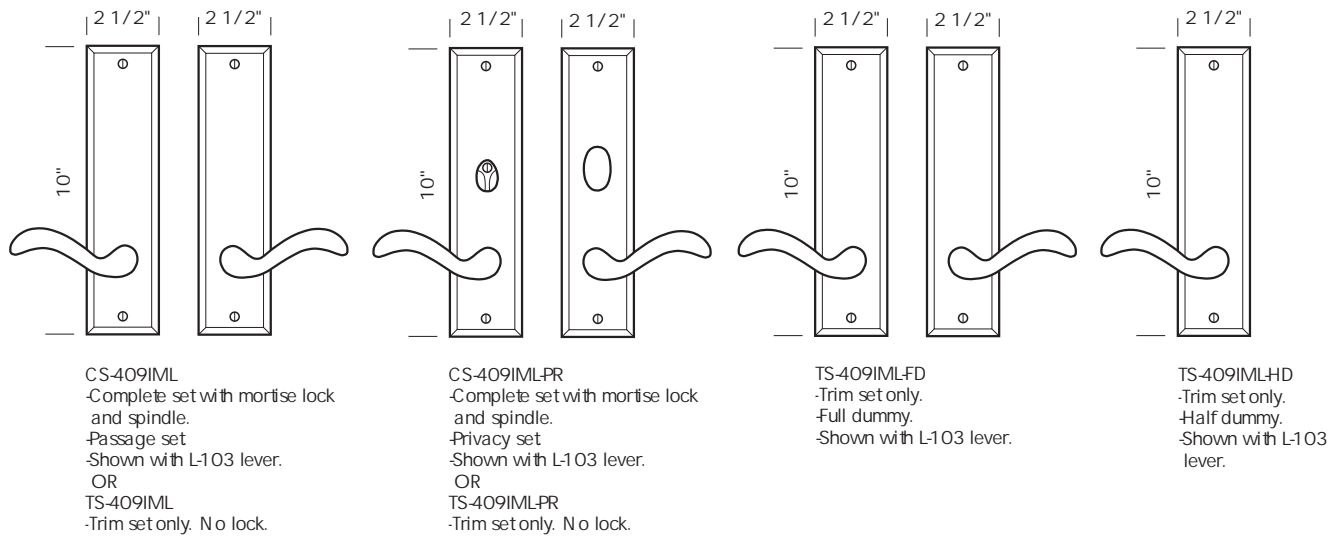
PROPRIETARY AND CONFIDENTIAL: The information contained in this drawing is the sole property of Sun Valley Bronze. Any reproduction in part or as a whole without the written permission of Sun Valley Bronze is prohibited.

Revised 07/14/11



409 INTERIOR MORTISE LOCK PASSAGE & PRIVACY SETS

Illustrations are for demonstration purposes only. Any lever or knob may be substituted for lever or knob shown.



Complete sets with interior mortise lock and spindle.

CS-409IML	Passage set 2 1/2" x 10" escutcheon plate P-409IML 2 1/2" x 10" escutcheon plate P-409IML
CS-409IMLPR	Privacy set
TS-409IMLFD	Full dummy.
TS-409IMLHD	Half dummy.

2 1/2" or 2 3/4" backset standard. Please specify.

Custom backsets available. Call for options and pricing.

Door handing and thickness is required for all Interior Mortise Lock Passage & Privacy Sets.

Always specify lever/knob design.

Trim sets for interior mortise locks with spindle, no lock included.

TS-409IML	Passage set 2 1/2" x 10" escutcheon plate P-409IML 2 1/2" x 10" escutcheon plate P-409IML
TS-409IMLPR	Privacy set
TS-409IMLFD	Full dummy.
TS-409IMLHD	Half dummy.

Specify manufacturer and function of mortise case to be used.

Door handing and thickness is required for all Interior Mortise Lock Passage & Privacy Sets.

Always specify lever/knob design.

PROPRIETARY AND CONFIDENTIAL: The information contained in this drawing is the sole property of Sun Valley Bronze. Any reproduction in part or as a whole without the written permission of Sun Valley Bronze is prohibited.

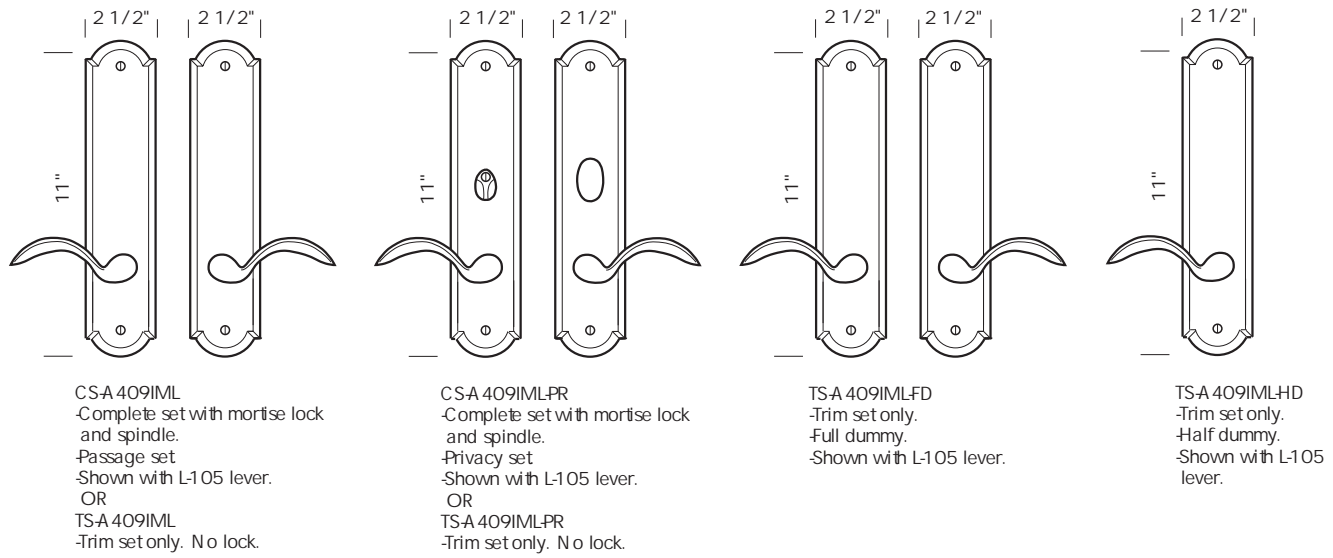
Revised 07/14/11

SUN VALLEY BRONZE



A 409 INTERIOR MORTISE LOCK PASSAGE & PRIVACY SETS

Illustrations are for demonstration purposes only. Any lever or knob may be substituted for lever or knob shown.



Complete sets with interior mortise lock and spindle.

CSA 409IML Passage set
 2 1/2" x 11" escutcheon plate PA 409IML
 2 1/2" x 11" escutcheon plate PA 409IML

CSA 409IML-PR Privacy set

TSA 409IML-FD Full dummy.

TSA 409IML-HD Half dummy.

2 1/2" or 2 3/4" backset standard. Please specify.
 Custom backsets available. Call for options and pricing.
 Door handing and thickness is required for all Interior Mortise Lock Passage & Privacy Sets.
 Always specify lever/knob design.

Trim sets for interior mortise locks with spindle, no lock included.

TSA 409IML Passage set
 2 1/2" x 11" escutcheon plate PA 409IML
 2 1/2" x 11" escutcheon plate PA 409IML

TSA 409IML-PR Privacy set

TSA 409IML-FD Full dummy.

TSA 409IML-HD Half dummy.

Specify manufacturer and function of mortise case to be used.
 Door handing and thickness is required for all Interior Mortise Lock Passage & Privacy Sets.
 Always specify lever/knob design.

PROPRIETARY AND CONFIDENTIAL: The information contained in this drawing is the sole property of Sun Valley Bronze. Any reproduction in part or as a whole without the written permission of Sun Valley Bronze is prohibited.

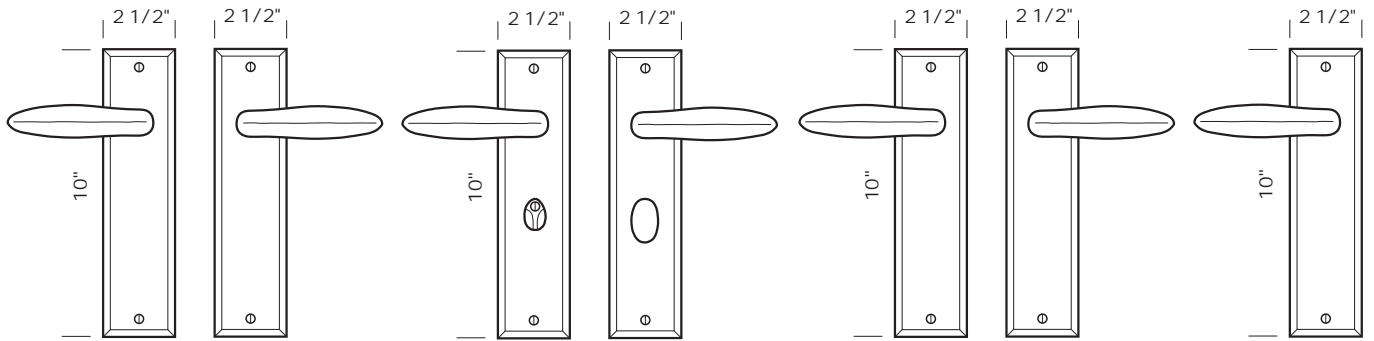
Revised 07/14/11

SUN VALLEY BRONZE



F409 INTERIOR MORTISE LOCK PASSAGE & PRIVACY SETS

Illustrations are for demonstration purposes only. Any lever or knob may be substituted for lever or knob shown.



CS-F409IML
-Complete set with mortise lock and spindle.
-Passage set
-Shown with L-107 lever.
OR
TS-F409IML
-Trim set only. No lock.

CS-F409IML-PR
-Complete set with mortise lock and spindle.
-Privacy set
-Shown with L-107 lever.
OR
TS-F409IML-PR
-Trim set only. No lock.

TS-F409IML-FD
-Trim set only.
-Full dummy.
-Shown with L-107 lever.

TS-F409IML-HD
-Trim set only.
-Half dummy.
-Shown with L-107 lever.

Complete sets with interior mortise lock and spindle.

CS-F409IML Passage set
2 1/2" x 10" escutcheon plate PF409IML
2 1/2" x 10" escutcheon plate PF409-ML

CS-F409IML-PR Privacy set

TS-F409IML-FD Full dummy.

TS-F409IML-HD Half dummy.

2 1/2" or 2 3/4" backset standard. Please specify.

Custom backsets available. Call for options and pricing.

Door handing and thickness is required for all Interior Mortise Lock Passage & Privacy Sets.

Always specify lever/knob design.

Trim sets for interior mortise locks with spindle, no lock included.

TS-F409IML Passage set
2 1/2" x 10" escutcheon plate PF409IML
2 1/2" x 10" escutcheon plate PF409IML

TS-F409IML-PR Privacy set

TS-F409IML-FD Full dummy.

TS-F409IML-HD Half dummy.

Specify manufacturer and function of mortise case to be used.

Door handing and thickness is required for all Interior Mortise Lock Passage & Privacy Sets.

Always specify lever/knob design.

PROPRIETARY AND CONFIDENTIAL: The information contained in this drawing is the sole property of Sun Valley Bronze. Any reproduction in part or as a whole without the written permission of Sun Valley Bronze is prohibited.

Revised 07/14/11



