

CONTENTS

This section contains Complete Screen Door Sets. Complete Sets include bronze trim, mortise lock (1 7/16" backset only), spindle, fasteners and installation instructions. All Complete Screen Door Set part numbers begin with CS.

TABLE OF CONTENTS:

150 Series Screen Door Sets	Page	10-2
200 Series Screen Door Sets	Page	10-3
A200 Series Screen Door Sets	Page	10-4
9150 Series Screen Door Sets	Page	10-5
9200 Series Screen Door Sets	Page	10-6
Screen Door Knob & Lever Options	Page	10-7

ORDERING INSTRUCTIONS:

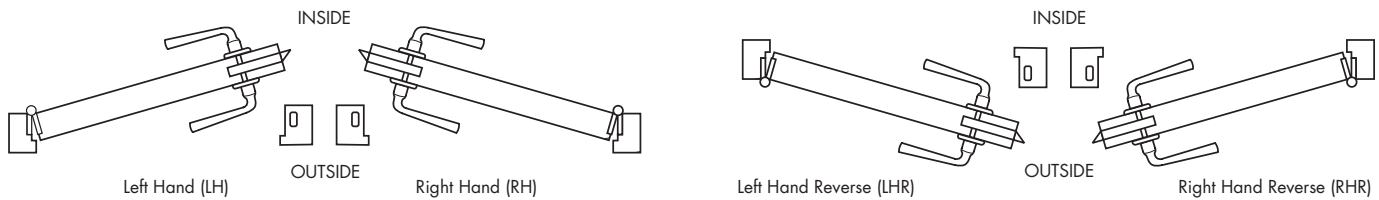
Complete Sets: Always provide quantity, item number, knob/lever number, patina, door handing, and door thickness.

*Example of order for CS-A150-SD Screen Door Set.

QTY	ITEM#/LEVER#	PATINA	HANDING	THICKNESS
3	CS-A150SD/L-93	S3	LH	1 3/4"

Custom Sets: See Custom Ordering Instructions in the General Information section at front of binder.

DOOR HANDING GUIDE:

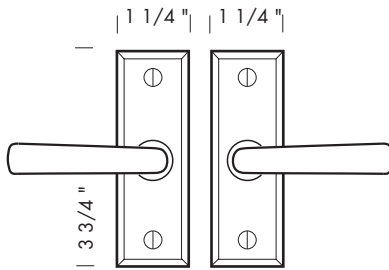


Revised 03/10/09

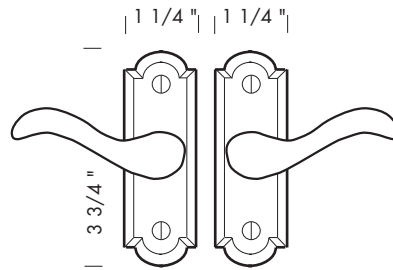


150 SERIES SCREEN DOOR SETS

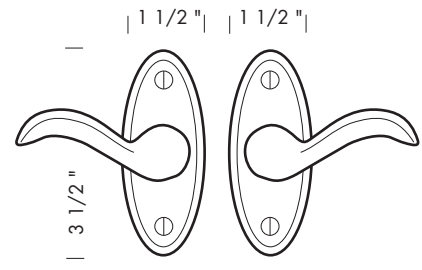
Illustrations are for demonstration purposes only. Any lever or knob may be substituted for lever or knob shown.



CS-150SD
-Complete set with mortise lock and spindle.
-Passage set.
-Shown with L-96 lever.



CS-A150SD
-Complete set with mortise lock and spindle.
-Passage set.
-Shown with L-93 lever.



CS-OP150SD
-Complete set with mortise lock and spindle.
-Passage set.
-Shown with L-92 lever.

Complete sets with interior mortise lock and spindle.

CS-150SD Passage set with 1 1/4" x 3 3/4" escutcheon plates #SD-150.
TS-150SD-FD Full dummy.
TS-150SD-HD Half dummy.

CS-A150SD Passage set with 1 1/4" x 3 3/4" escutcheon plates #SD-A150.
TS-A150SD-FD Full dummy.
TS-A150SD-HD Half dummy.

CS-OP150SD Passage set with 1 1/2" x 3 1/2" oval escutcheon plates #SD-OP150.
TS-OP150SD-FD Full dummy.
TA-OP150SD-HD Half dummy.

1 7/16" backset.

Door handing and thickness is required (minimum thickness is 1").

Always specify lever design.

SUN VALLEY BRONZE

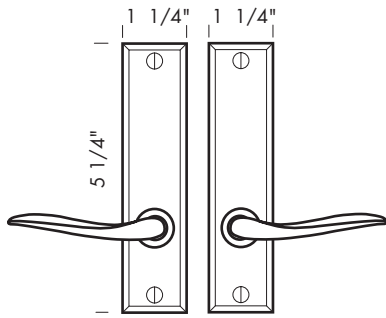
PROPRIETARY AND CONFIDENTIAL: The information contained in this drawing is the sole property of Sun Valley Bronze. Any reproduction in part or as a whole without the written permission of Sun Valley Bronze is prohibited.

Revised 03/10/09

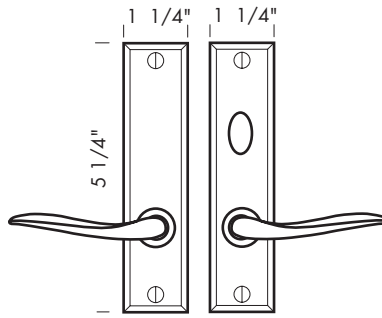


200 SERIES SCREEN DOOR SETS

Illustrations are for demonstration purposes only. Any lever or knob may be substituted for lever or knob shown.



CS-200SD
-Complete set with mortise lock and spindle.
-Passage set.
-Shown with L-26 lever.



CS-200SD-PF
-Complete set with mortise lock and spindle.
-Patio function.
-Shown with L-26 lever.

Complete sets with interior mortise lock and spindle.

CS-200SD Passage set with 1 1/4" x 5 1/4" escutcheon plates #SD-200.

CS-200SD-PF Patio function with TPC-202.

TS-200SD-FD Full dummy.

TS-200SD-HD Half dummy.

1 1/2", 1 3/4", 2" backsets.

Door handing and thickness is required (minimum thickness is 1").

Always specify lever design.

SUN VALLEY BRONZE

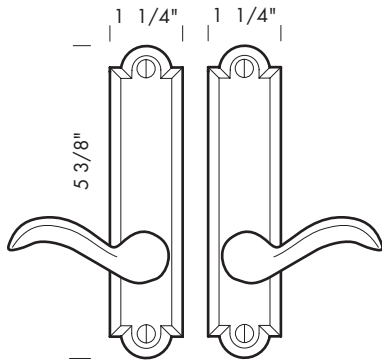
PROPRIETARY AND CONFIDENTIAL: The information contained in this drawing is the sole property of Sun Valley Bronze. Any reproduction in part or as a whole without the written permission of Sun Valley Bronze is prohibited.

Revised 03/10/09

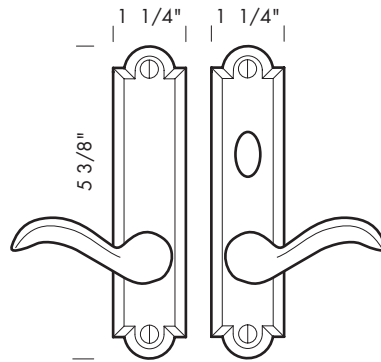


A200 SERIES SCREEN DOOR SETS

Illustrations are for demonstration purposes only. Any lever or knob may be substituted for lever or knob shown.



CS-A200SD
-Complete set with mortise
lock and spindle.
-Passage set.
-Shown with L-92 lever.



CS-A200SD-PF
-Complete set with mortise
lock and spindle.
-Patio function.
-Shown with L-92 lever.

Complete sets with interior mortise lock and spindle.

CS-A200SD Passage set with 1 1/4" x 5 3/8" escutcheon plates #SD-A200.

CS-A200SD-PF Patio function with TPC-202.

TS-A200SD-FD Full dummy.

TS-A200SD-HD Half dummy.

1 1/2", 1 3/4", 2" backsets.

Door handing and thickness is required (minimum thickness is 1").

Always specify lever design.

SUN VALLEY BRONZE

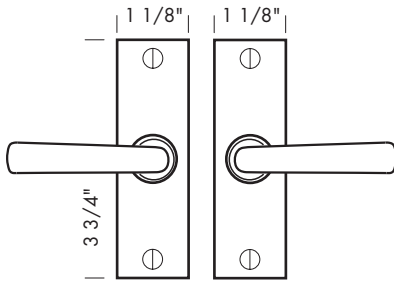
PROPRIETARY AND CONFIDENTIAL: The information contained in this drawing is the sole property of Sun Valley Bronze. Any reproduction in part or as a whole without the written permission of Sun Valley Bronze is prohibited.

Revised 03/10/09



9150 SERIES SCREEN DOOR SETS

Illustrations are for demonstration purposes only. Any lever or knob may be substituted for lever or knob shown.



CS-9150SD
-Complete set with mortise
lock and spindle.
-Passage set.
-Shown with L-96 lever.

Complete sets with interior mortise lock and spindle.

CS-9150SD Passage set with 1 1/8" x 3 3/4" escutcheon plates #SD-9150.

TS-9150SD-FD Full dummy.

TS-9150SD-HD Half dummy.

1 7/16" backset.

Door handing and thickness is required (minimum thickness is 1").

Always specify lever design.

SUN VALLEY BRONZE

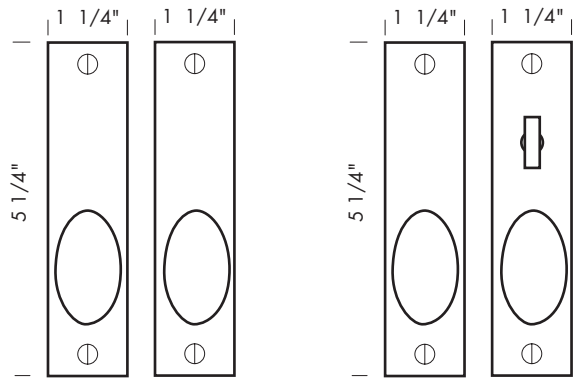
PROPRIETARY AND CONFIDENTIAL: The information contained in this drawing is the sole property of Sun Valley Bronze. Any reproduction in part or as a whole without the written permission of Sun Valley Bronze is prohibited.

Revised 03/10/09



9200 SERIES SCREEN DOOR SETS

Illustrations are for demonstration purposes only. Any lever or knob may be substituted for lever or knob shown.



CS-9200SD
-Complete set with mortise
lock and spindle.
-Passage set.
-Shown with K-305 knob.

CS-9200SD-PF
-Complete set with mortise
lock and spindle.
-Patio function.
-Shown with K-305 knob.

Complete sets with interior mortise lock and spindle.

CS-9200SD Passage set with 1 1/8" x 3 3/4" escutcheon plates #SD-9200.

CS-9200SD-PF Patio function with TPC-900.

TS-9200SD-FD Full dummy.

TS-9200SD-HD Half dummy.

1 1/2", 1 3/4", 2" backsets.

Door handing and thickness is required (minimum thickness is 1").

Always specify lever design.

SUN VALLEY BRONZE

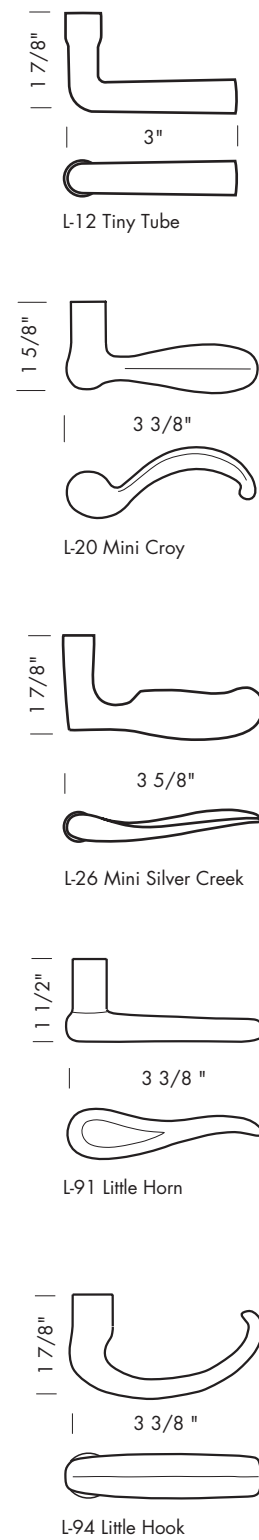
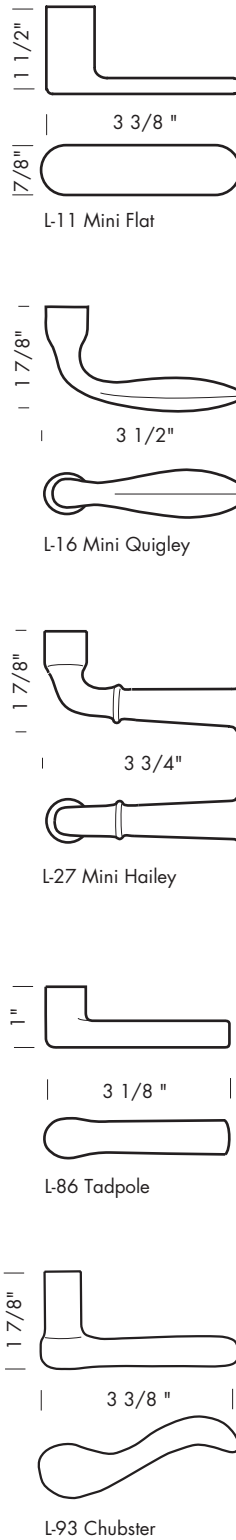
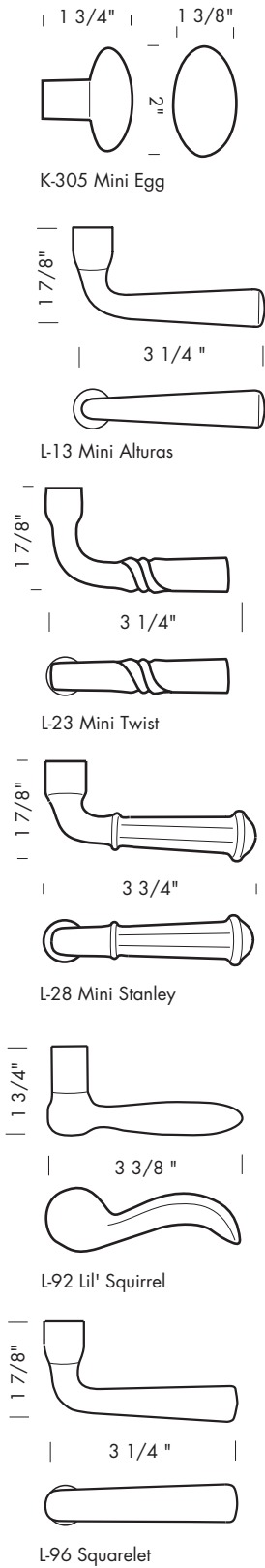
PROPRIETARY AND CONFIDENTIAL: The information contained in this drawing is the sole property of Sun Valley Bronze. Any reproduction in part or as a whole without the written permission of Sun Valley Bronze is prohibited.

Revised 03/10/09



SCREEN DOOR KNOB & LEVER OPTIONS

Illustrations are for demonstration purposes only. Any screen door lever may be substituted for lever shown.



SUN VALLEY BRONZE

PROPRIETARY AND CONFIDENTIAL: The information contained in this drawing is the sole property of Sun Valley Bronze. Any reproduction in part or as a whole without the written permission of Sun Valley Bronze is prohibited.

Revised 03/10/09

