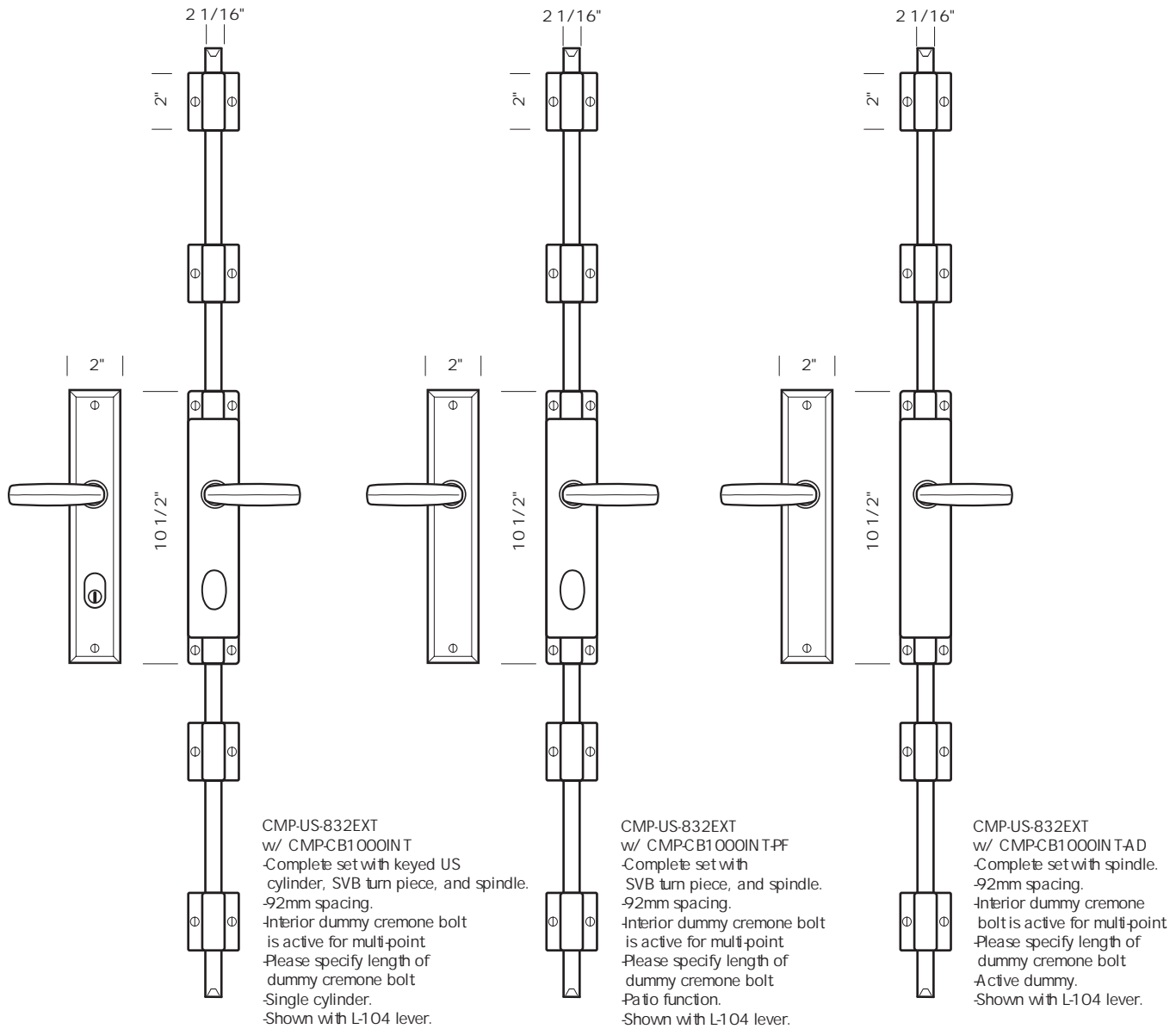


US CYLINDER/DUMMY CREMONE MULTI-POINT SETS

Illustrations are for demonstration purposes only. Any lever may be substituted for lever shown.



Cremone Bolts

- CMP-US-832EXT w/ CMP-CB1000INT Single cylinder. US cylinder multi-point retrofit set w/ dummy cremone bolt interior.
- CMP-US-832EXT w/ CMP-CB1000INT-PF Patio function. US cylinder multi-point retrofit set w/ dummy cremone bolt interior.
- CMP-US-832EXT w/ CMP-CB1000INT-AD Active dummy. US cylinder multi-point retrofit set w/ dummy cremone bolt interior.

*** Please specify length of dummy cremone.
 *** Please specify dimension from center of lever to bottom of the door.

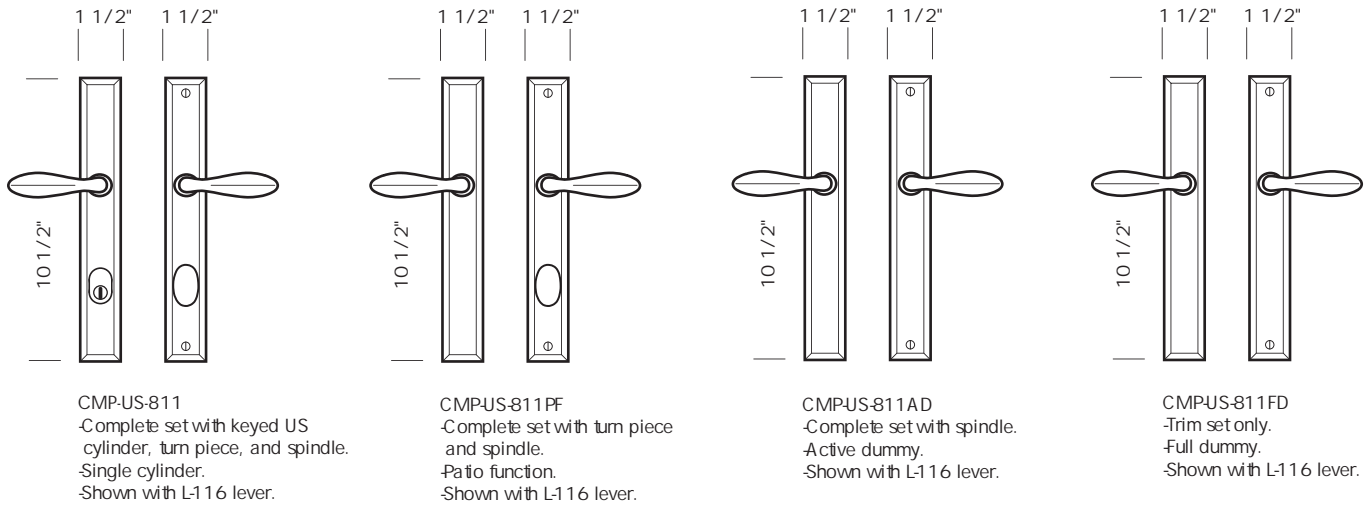
PROPRIETARY AND CONFIDENTIAL: The information contained in this drawing is the sole property of Sun Valley Bronze. Any reproduction in part or as a whole without the written permission of Sun Valley Bronze is prohibited.

Revised 02/15/11



811 US CYLINDER MULTI-POINT RETROFIT SETS

Illustrations are for demonstration purposes only. Any lever may be substituted for lever shown.



Complete multi-point sets with plates, levers, US cylinder, and spindle. No lock included. 92mm spacing.

- CMP-US-811 Single cylinder. US cylinder entry set (Key x turn piece).
1 1/2" x 10 1/2" plates
- CMP-US-811PF Patio function. US type set for active/ inactive doors. (Turn piece only).
- CMP-US-811AD Active dummy. US type set for inactive door. Exterior lever fixed, interior lever active. (No cylinder or turn piece).
- CMP-US-811FD Full dummy. US type set for inactive door. Fixed levers.

***Always specify door manufacturer.**

Door handing and thickness is required for all Multi-Point Door Retrofit Sets.
Always specify lever design.
All cylinders are 5 pin Schlage C keyways.
Re-keying to other cylinders IS available.

SUN VALLEY BRONZE

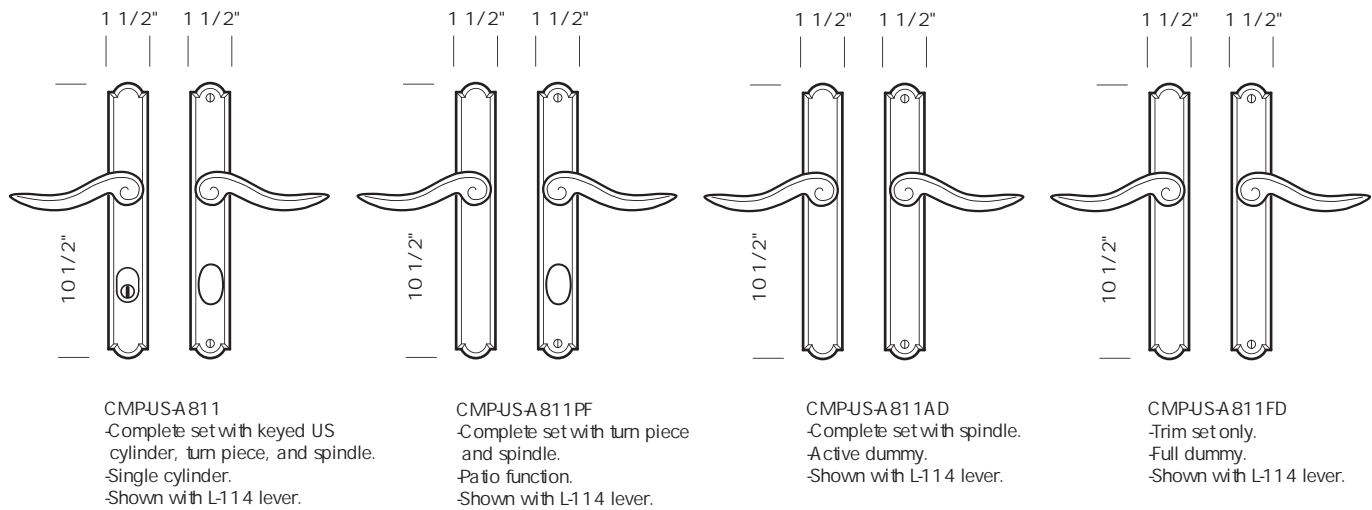
PROPRIETARY AND CONFIDENTIAL: The information contained in this drawing is the sole property of Sun Valley Bronze. Any reproduction in part or as a whole without the written permission of Sun Valley Bronze is prohibited.

Revised 02/15/11



A811 US CYLINDER MULTI-POINT RETROFIT SETS

Illustrations are for demonstration purposes only. Any lever may be substituted for lever shown.



Complete multi-point sets with plates, levers, US cylinder, and spindle. No lock included. 92mm spacing.

- CMPUSA811 Single cylinder. US cylinder entry set (Key x turn piece).
1 1/2" x 10 1/2" plates.
- CMPUSA811PF Patio function. US type set for active/inactive doors. (Turn piece only).
- CMPUSA811AD Active dummy. US type set for inactive door. Exterior lever fixed, interior lever active. (No cylinder or turn piece).
- CMPUSA811FD Full dummy. US type set for inactive door. Fixed levers.

*Always specify door manufacturer.

Door handing and thickness is required for all Multi-Point Door Retrofit Sets.
Always specify lever design.
All cylinders are 5 pin Schlage C keyways.
Re-keying to other cylinders IS available.

SUN VALLEY BRONZE

PROPRIETARY AND CONFIDENTIAL: The information contained in this drawing is the sole property of Sun Valley Bronze. Any reproduction in part or as a whole without the written permission of Sun Valley Bronze is prohibited.

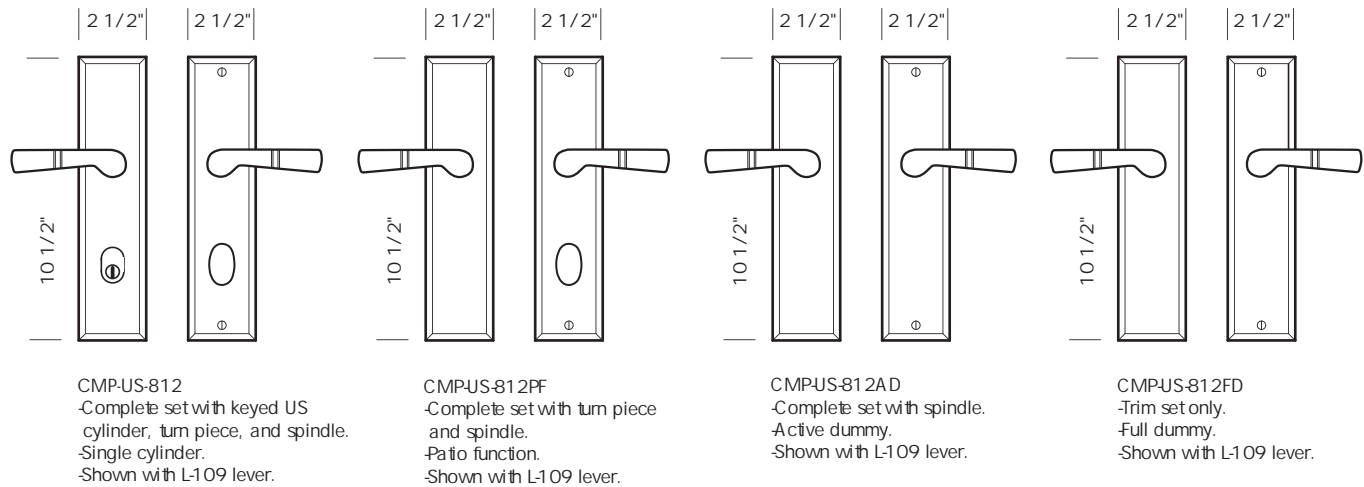
Revised 02/15/11



812 US CYLINDER MULTI-POINT RETRO FIT SETS

Illustrations are for demonstration purposes only. Any lever may be substituted for lever shown.

***Always verify backset compatibility when specifying wide plates.**



Complete multi-point sets with plates, levers, US cylinder, and spindle. No lock included. 92mm spacing.

- | | |
|-------------|--|
| CMP-US-812 | Single cylinder. US cylinder entry set (Key x turn piece).
2 1/2" x 10 1/2" plates. |
| CMPUS-812PF | Patio function. US type set for active/inactive doors. (Turn piece only). |
| CMPUS-812AD | Active dummy. US type set for inactive door. Exterior lever fixed, interior lever active. (No cylinder or turn piece). |
| CMPUS-812FD | Full dummy. US type set for inactive door. Fixed levers. |

***Always specify door manufacturer.**

Door handing and thickness is required for all Multi-Point Door Retrofit Sets.

Always specify lever design.

All cylinders are 5 pin Schlage C keyways.

Re-keying to other cylinders IS available.

SUN VALLEY BRONZE

PROPRIETARY AND CONFIDENTIAL: The information contained in this drawing is the sole property of Sun Valley Bronze. Any reproduction in part or as a whole without the written permission of Sun Valley Bronze is prohibited.

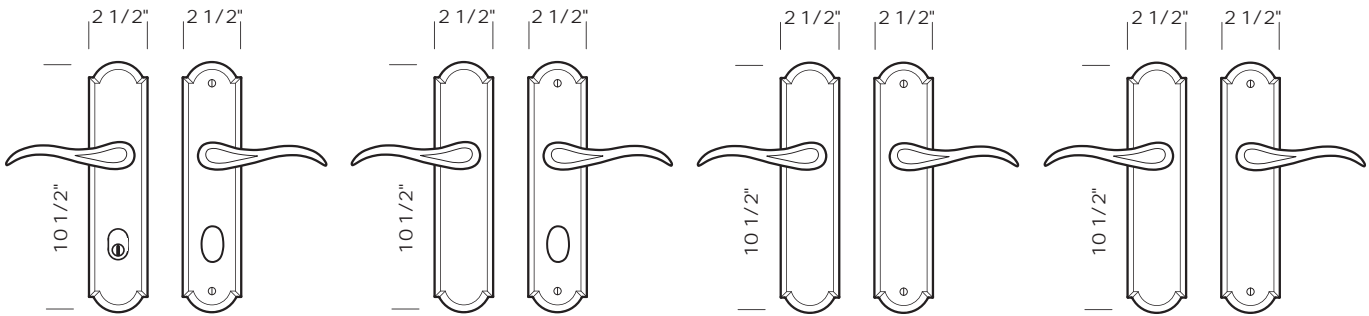
Revised 02/15/11



A812 US CYLINDER MULTI-POINT RETRO FIT SETS

Illustrations are for demonstration purposes only. Any lever may be substituted for lever shown.

***Always verify backset compatibility when specifying wide plates.**



CMPUSA812

-Complete set with keyed US cylinder, turn piece, and spindle.
-Single cylinder.
-Shown with L-101 lever.

CMPUSA812PF

-Complete set with turn piece and spindle.
-Patio function.
-Shown with L-101 lever.

CMPUSA812AD

-Complete set with spindle.
-Active dummy.
-Shown with L-101 lever.

CMPUSA812FD

-Trim set only.
-Full dummy.
-Shown with L-101 lever.

Complete multi-point sets with plates, levers, US cylinder, and spindle. No lock included. 92mm spacing.

- CMPUSA812 Single cylinder. US cylinder entry set (Key x turn piece).
2 1/2" x 10 1/2" plates
- CMPUSA812PF Patio function. US type set for active/inactive doors. (Turn piece only).
- CMPUSA812AD Active dummy. US type set for inactive door. Exterior lever fixed, interior lever active. (No cylinder or turn piece).
- CMPUSA812FD Full dummy. US type set for inactive door. Fixed levers.

***Always specify door manufacturer.**

Door handing and thickness is required for all Multi-Point Door Retrofit Sets.

Always specify lever design.

All cylinders are 5 pin Schlage C keyways.

Re-keying to other cylinders IS available.

SUN VALLEY BRONZE

PROPRIETARY AND CONFIDENTIAL: The information contained in this drawing is the sole property of Sun Valley Bronze. Any reproduction in part or as a whole without the written permission of Sun Valley Bronze is prohibited.

Revised 02/15/11



