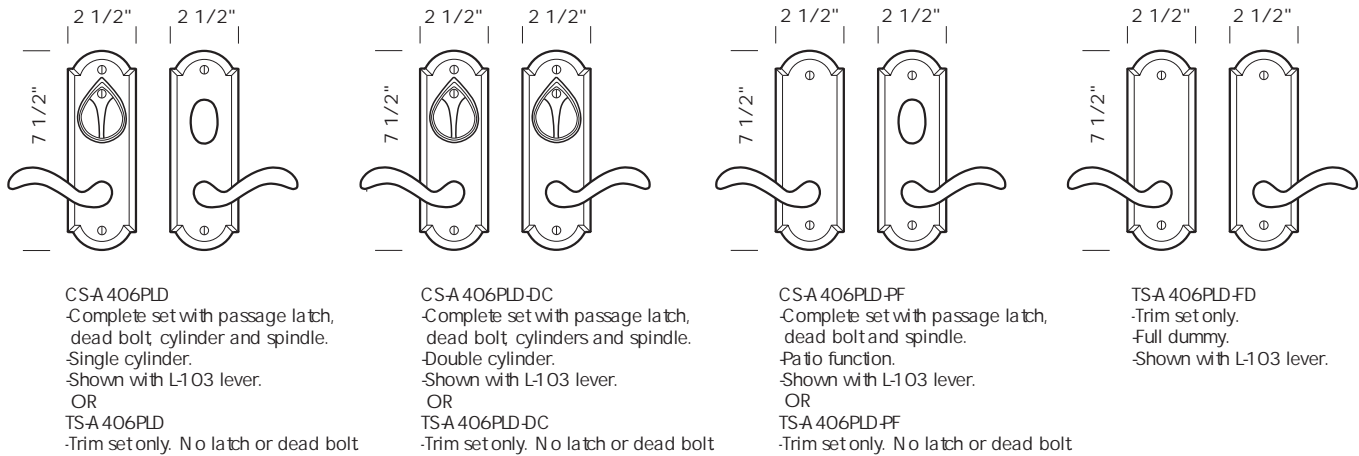


A406 LEVER/KNOB DEAD BOLT ENTRY SETS

Illustrations are for demonstration purposes only. Any lever or knob may be substituted for lever or knob shown.



Complete sets with tubular passage latch, dead bolt, cylinder(s) and spindle.

- CSA 406PLD Single cylinder. Lever/knob x lever/knob. (3 7/16" center to center spacing).
2 1/2" x 7 1/2" exterior plate #EPA 406KC.
2 1/2" x 7 1/2" interior plate #EPA 406TPC.
- CSA 406PLD-DC Double cylinder. 1 3/4" minimum door thickness.
- CSA 406PLD-PF Patio function.
- TSA 406PLD-FD Full dummy. No key cover or turn piece.

2 3/8" or 2 3/4" backset standard.

1 3/8" minimum door thickness.

Door handing and thickness is required for all Lever/Knob Dead Bolt Entry Sets.

Always specify lever/knob design.

Trim sets for tubular passage latch, dead bolt, with spindle, no latch, dead bolt or cylinder(s) included.

- TSA 406PLD Single cylinder. Lever/knob x lever/knob. (3 7/16" center to center spacing).
2 1/2" x 7 1/2" exterior plate #EPA 406KC.
2 1/2" x 7 1/2" interior plate #EPA 406TPC.
- TSA 406PLD-DC Double cylinder. 1 3/4" minimum door thickness.
- TSA 406PLD-PF Patio function.
- TSA 406PLD-FD Full dummy. No key cover or turn piece.

Specify manufacturer and function of latch and lock to be used.

Door handing and thickness is required for all Lever/Knob Dead Bolt Entry Sets.

Always specify lever/knob design.

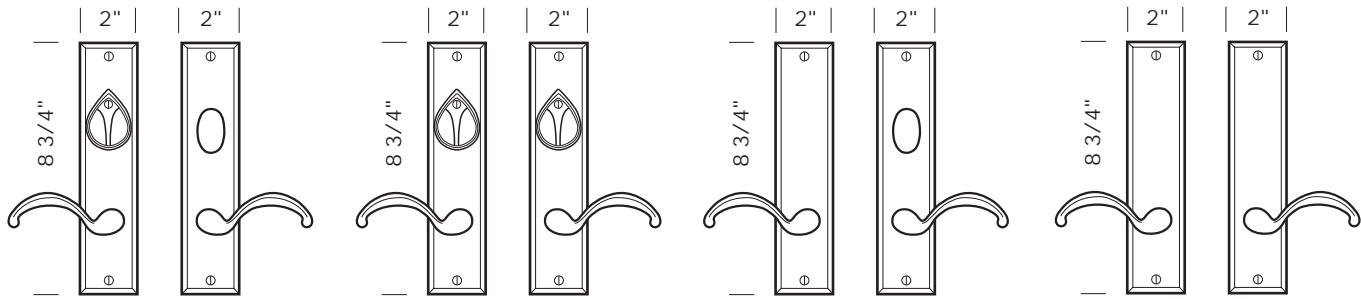
PROPRIETARY AND CONFIDENTIAL: The information contained in this drawing is the sole property of Sun Valley Bronze. Any reproduction in part or as a whole without the written permission of Sun Valley Bronze is prohibited.

Revised 02/02/11



407 LEVER/KNOB DEAD BOLT ENTRY SETS

Illustrations are for demonstration purposes only. Any lever or knob may be substituted for lever or knob shown.
Will not cover 2 1/8" bore.



CS-407PLD

-Complete set with passage latch, dead bolt, cylinder and spindle.
 Single cylinder.
 Shown with L-120 lever.

OR

TS-407PLD

-Trim set only. No latch or dead bolt

CS-407PLD-DC

-Complete set with passage latch, dead bolt, cylinders and spindle.
 Double cylinder.
 Shown with L-120 lever.

OR

TS-407PLD-DC

-Trim set only. No latch or dead bolt

CS-407PLD-PF

-Complete set with passage latch, dead bolt and spindle.
 Patio function.
 Shown with L-120 lever.

OR

TS-407PLD-PF

-Trim set only. No latch or dead bolt

TS-407PLD-FD

-Trim set only.
 Full dummy.
 Shown with L-120 lever.

Complete sets with tubular passage latch, dead bolt, cylinder(s) and spindle.

CS-407PLD Single cylinder. Lever/knob x lever/knob. (3 7/16" center to center spacing).
 2" x 8 3/4" exterior plate #EP-407KC.
 2" x 8 3/4" interior plate #EP-407TPC.

CS-407PLD-DC Double cylinder. 1 3/4" minimum door thickness.

CS-407PLD-PF Patio function.

TS-407PLD-FD Full dummy. No key cover or turn piece.

2 3/8" or 2 3/4" backset standard.

1 3/8" minimum door thickness.

Door handing and thickness is required for all Lever/Knob Dead Bolt Entry Sets.

Always specify lever/knob design.

***Will not cover 2 1/8" bore.**

Trim sets for tubular passage latch, dead bolt, with spindle, no latch, dead bolt or cylinder(s) included.

TS-407PLD Single cylinder. Lever/knob x lever/knob. (3 7/16" center to center spacing).
 2" x 8 3/4" exterior plate #EP-407KC.
 2" x 8 3/4" interior plate #EP-407TPC.

TS-407PLD-DC Double cylinder. 1 3/4" minimum door thickness.

TS-407PLD-PF Patio function.

TS-407PLD-FD Full dummy. No key cover or turn piece.

Specify manufacturer and function of latch and lock to be used.

Door handing and thickness is required for all Lever/Knob Dead Bolt Entry Sets.

Always specify lever/knob design.

***Will not cover 2 1/8" bore.**

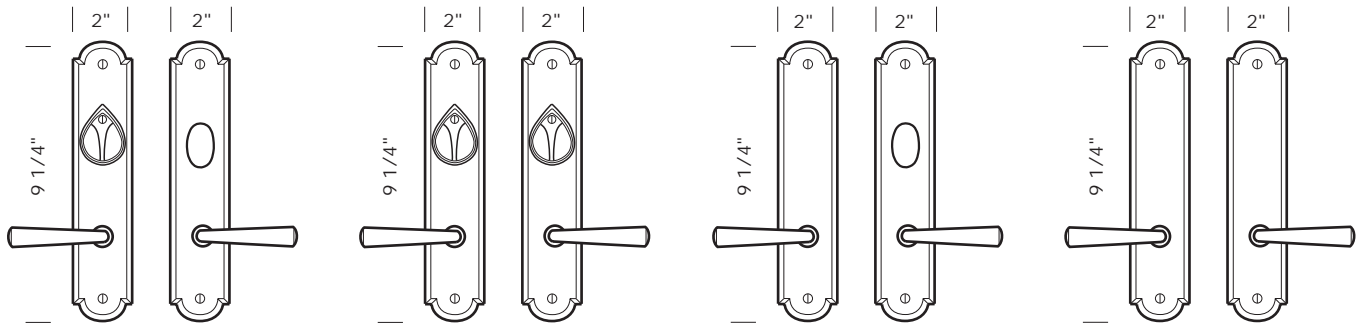
PROPRIETARY AND CONFIDENTIAL: The information contained in this drawing is the sole property of Sun Valley Bronze. Any reproduction in part or as a whole without the written permission of Sun Valley Bronze is prohibited.

Revised 02/02/11



A407 LEVER/KNOB DEAD BOLT ENTRY SETS

Illustrations are for demonstration purposes only. Any lever or knob may be substituted for lever or knob shown.
Will not cover 2 1/8" bore.



CSA 407PLD

-Complete set with passage latch, dead bolt, cylinder and spindle.
 -Single cylinder.
 -Shown with L-113 lever.

OR

TSA 407PLD

-Trim set only. No latch or dead bolt

CSA 407PLD-DC

-Complete set with passage latch, dead bolt, cylinders and spindle.
 -Double cylinder.
 -Shown with L-113 lever.

OR

TSA 407PLD-DC

-Trim set only. No latch or dead bolt

CSA 407PLD-PF

-Complete set with passage latch, dead bolt and spindle.
 -Patio function.
 -Shown with L-113 lever.

OR

TSA 407PLD-PF

-Trim set only. No latch or dead bolt

TSA 407PLD-FD

-Trim set only.
 -Full dummy.
 -Shown with L-113 lever.

Complete sets with tubular passage latch, dead bolt, cylinder(s) and spindle.

CSA 407PLD Single cylinder. Lever/knob x lever/knob. (3 7/16" center to center spacing).
 2" x 9 1/4" exterior plate #EPA 407KC.
 2" x 9 1/4" interior plate #EPA 407TPC.

CSA 407PLD-DC Double cylinder. 1 3/4" minimum door thickness.

CSA 407PLD-PF Patio function.

TSA 407PLD-FD Full dummy. No key cover or turn piece.

2 3/8" or 2 3/4" backset standard.

1 3/8" minimum door thickness.

Door handing and thickness is required for all Lever/Knob Dead Bolt Entry Sets.

Always specify lever/knob design.

***Will not cover 2 1/8" bore.**

Trim sets for tubular passage latch, dead bolt, with spindle, no latch, dead bolt or cylinder(s) included.

TSA 407PLD Single cylinder. Lever/knob x lever/knob. (3 7/16" center to center spacing).
 2" x 9 1/4" exterior plate #EPA 407KC.
 2" x 9 1/4" interior plate #EPA 407TPC.

TSA 407PLD-DC Double cylinder. 1 3/4" minimum door thickness.

TSA 407PLD-PF Patio function.

TSA 407PLD-FD Full dummy. No key cover or turn piece.

Specify manufacturer and function of latch and lock to be used.

Door handing and thickness is required for all Lever/Knob Dead Bolt Entry Sets.

Always specify lever/knob design.

***Will not cover 2 1/8" bore.**

PROPRIETARY AND CONFIDENTIAL: The information contained in this drawing is the sole property of Sun Valley Bronze. Any reproduction in part or as a whole without the written permission of Sun Valley Bronze is prohibited.

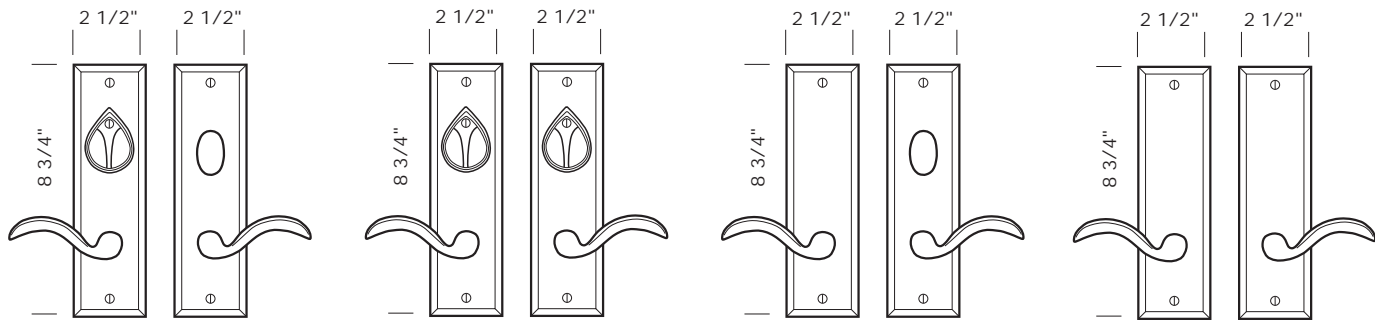
Revised 02/02/11

SUN VALLEY BRONZE



408 LEVER/KNOB DEAD BOLT ENTRY SETS

Illustrations are for demonstration purposes only. Any lever or knob may be substituted for lever or knob shown.



CS-408PLD

-Complete set with passage latch, dead bolt, cylinder and spindle.
-Single cylinder.
-Shown with L-102 lever.

OR

TS-408PLD

-Trim set only. No latch or dead bolt

CS-408PLD-DC

-Complete set with passage latch, dead bolt, cylinders and spindle.
-Double cylinder.
-Shown with L-102 lever.

OR

TS-408PLD-DC

-Trim set only. No latch or dead bolt

CS-408PLD-PF

-Complete set with passage latch, dead bolt and spindle.
-Patio function.
-Shown with L-102 lever.

OR

TS-408PLD-PF

-Trim set only. No latch or dead bolt

TS-408PLD-FD

-Trim set only.
-Full dummy.
-Shown with L-102 lever.

Complete sets with tubular passage latch, dead bolt, cylinder(s) and spindle.

CS-408PLD Single cylinder. Lever/knob x lever/knob. (3 7/16" center to center spacing).
2 1/2" x 8 3/4" exterior plate #EP-408KC.
2 1/2" x 8 3/4" interior plate #EP-408TPC.

CS-408PLD-DC Double cylinder. 1 3/4" minimum door thickness.

CS-408PLD-PF Patio function.

TS-408PLD-FD Full dummy. No key cover or turn piece.

2 3/8" or 2 3/4" backset standard.

1 3/8" minimum door thickness.

Door handing and thickness is required for all Lever/Knob Dead Bolt Entry Sets.

Always specify lever/knob design.

Trim sets for tubular passage latch, dead bolt, with spindle, no latch, dead bolt or cylinder(s) included.

TS-408PLD Single cylinder. Lever/knob x lever/knob. (3 7/16" center to center spacing).
2 1/2" x 8 3/4" exterior plate #EP-408KC.
2 1/2" x 8 3/4" interior plate #EP-408TPC.

TS-408PLD-DC Double cylinder. 1 3/4" minimum door thickness.

TS-408PLD-PF Patio function.

TS-408PLD-FD Full dummy. No key cover or turn piece.

Specify manufacturer and function of latch and lock to be used.

Door handing and thickness is required for all Lever/Knob Dead Bolt Entry Sets.

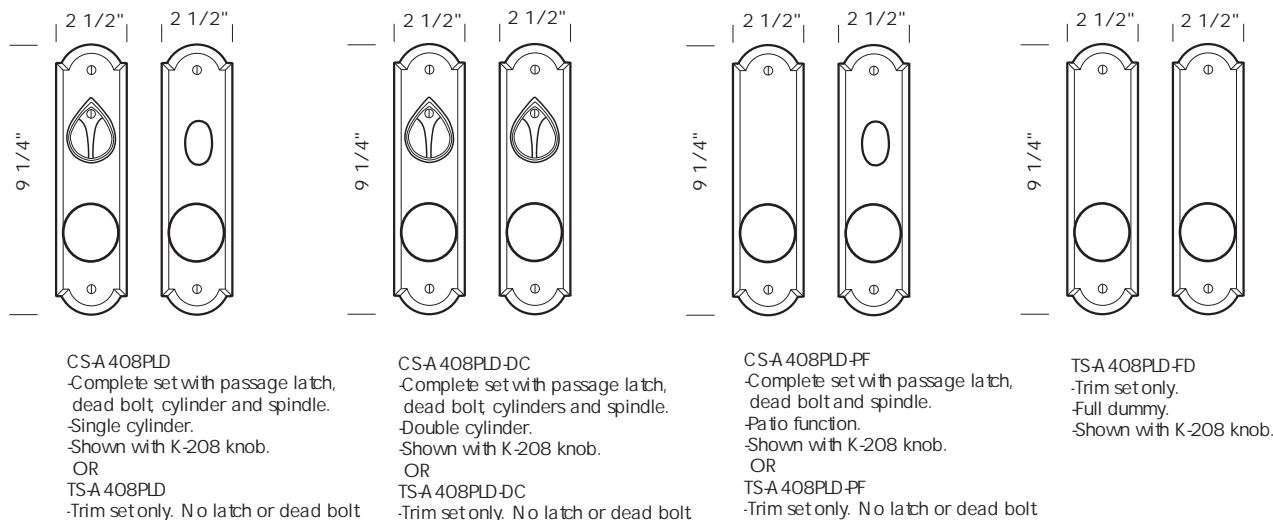
Always specify lever/knob design.

PROPRIETARY AND CONFIDENTIAL: The information contained in this drawing is the sole property of Sun Valley Bronze. Any reproduction in part or as a whole without the written permission of Sun Valley Bronze is prohibited. Revised 02/02/11



A408 LEVER/KNOB DEAD BOLT ENTRY SETS

Illustrations are for demonstration purposes only. Any lever or knob may be substituted for lever or knob shown.



Complete sets with tubular passage latch, dead bolt, cylinder(s) and spindle.

- CSA 408PLD Single cylinder. Lever/knob x lever/knob. (3 7/16" center to center spacing).
2 1/2" x 9 1/4" exterior plate #EPA 408KC.
2 1/2" x 9 1/4" interior plate #EPA 408TPC.
- CSA 408PLD-DC Double cylinder. 1 3/4" minimum door thickness.
- CSA 408PLD-PF Patio function.
- TSA 408PLD-FD Full dummy. No key cover or turn piece.

2 3/8" or 2 3/4" backset standard.

1 3/8" minimum door thickness.

Door handing and thickness is required for all Lever/Knob Dead Bolt Entry Sets.

Always specify lever/knob design.

Trim sets for tubular passage latch, dead bolt, with spindle, no latch, dead bolt or cylinder(s) included.

- TSA 408PLD Single cylinder. Lever/knob x lever/knob. (3 7/16" center to center spacing).
2 1/2" x 9 1/4" exterior plate #EPA 408KC.
2 1/2" x 9 1/4" interior plate #EPA 408TPC.
- TSA 408PLD-DC Double cylinder. 1 3/4" minimum door thickness.
- TSA 408PLD-PF Patio function.
- TSA 408PLD-FD Full dummy. No key cover or turn piece.

Specify manufacturer and function of latch and lock to be used.

Door handing and thickness is required for all Lever/Knob Dead Bolt Entry Sets.

Always specify lever/knob design.

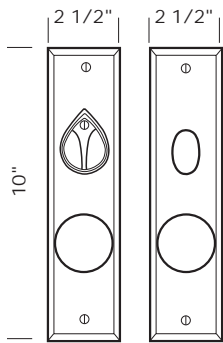
PROPRIETARY AND CONFIDENTIAL: The information contained in this drawing is the sole property of Sun Valley Bronze. Any reproduction in part or as a whole without the written permission of Sun Valley Bronze is prohibited.

Revised 02/02/11

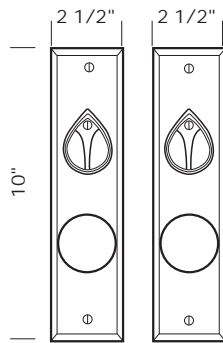


409 LEVER/KNOB DEAD BOLT ENTRY SETS

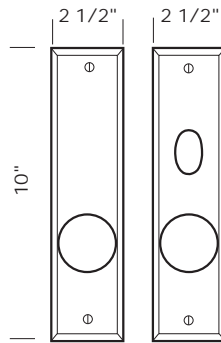
Illustrations are for demonstration purposes only. Any lever or knob may be substituted for lever or knob shown.



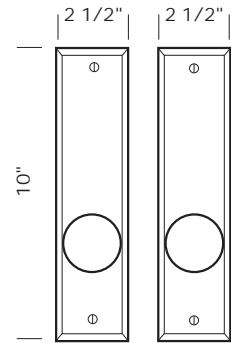
CS-409PLD
-Complete set with passage latch,
dead bolt, cylinder and spindle.
Single cylinder.
Shown with K-201 knob.
OR
TS-409PLD
-Trim set only. No latch or dead bolt



CS-409PLD-DC
-Complete set with passage latch,
dead bolt, cylinders and spindle.
Double cylinder.
Shown with K-201 knob.
OR
TS-409PLD-DC
-Trim set only. No latch or dead bolt



CS-409PLD-PF
-Complete set with passage latch,
dead bolt and spindle.
Patio function.
Shown with K-201 knob.
OR
TS-409PLD-PF
-Trim set only. No latch or dead bolt



TS-409PLD-FD
-Trim set only.
Full dummy.
Shown with K-201 knob.

Complete sets with tubular passage latch, dead bolt, cylinder(s) and spindle.

CS-409PLD Single cylinder. Lever/knob x lever/knob. (4 1/2" center to center spacing).
2 1/2" x 10" exterior plate #EP-409KC.
2 1/2" x 10" interior plate #EP-409TPC.

CS-409PLD-DC Double cylinder. 1 3/4" minimum door thickness.

CS-409PLD-PF Patio function.

TS-409PLD-FD Full dummy. No key cover or turn piece.

2 3/8" or 2 3/4" backset standard.

1 3/8" minimum door thickness.

Door handing and thickness is required for all Lever/Knob Dead Bolt Entry Sets.

Always specify lever/knob design.

Trim sets for tubular passage latch, dead bolt, with spindle, no latch, dead bolt or cylinder(s) included.

TS-409PLD Single cylinder. Lever/knob x lever/knob. (4 1/2" center to center spacing).
2 1/2" x 10" exterior plate #EP-409KC.
2 1/2" x 10" interior plate #EP-409TPC.

TS-409PLD-DC Double cylinder. 1 3/4" minimum door thickness.

TS-409PLD-PF Patio function.

TS-409PLD-FD Full dummy. No key cover or turn piece.

Specify manufacturer and function of latch and lock to be used.

Door handing and thickness is required for all Lever/Knob Dead Bolt Entry Sets.

Always specify lever/knob design.

PROPRIETARY AND CONFIDENTIAL: The information contained in this drawing is the sole property of Sun Valley Bronze. Any reproduction in part or as a whole without the written permission of Sun Valley Bronze is prohibited.

Revised 02/02/11



