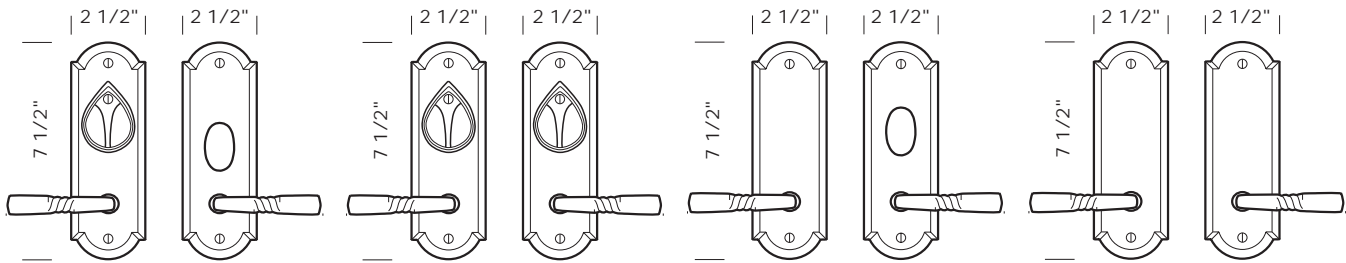


A 406 LEVER/KNOB MORTISE LOCK ENTRY SETS

Illustrations are for demonstration purposes only. Any lever or knob may be substituted for lever or knob shown. Additional functions available.



CSA 406ML

-Complete set with mortise lock, cylinder and spindle.
-Single cylinder.
-Shown with L-117 lever.
OR
TSA 406ML
-Trim set only. No lock.

CSA 406ML-DC

-Complete set with mortise lock, cylinders and spindle.
-Double cylinder.
-Shown with L-117 lever.
OR
TSA 406ML-DC
-Trim set only. No lock.

CSA 406MLPF

-Complete set with mortise lock and spindle.
-Patio function.
-Shown with L-117 lever.
OR
TSA 406MLPF
-Trim set only. No lock.

TSA 406MLFD

-Trim set only.
-Full dummy.
-Shown with L-117 lever.

Complete sets with cylinder(s), spindle and emergency egress mortise lock (except where noted non-egress).

- CSA 406ML Single cylinder. Lever/knob x lever/knob.
2 1/2" x 7 1/2" exterior plate #EPA 406ML-KC.
2 1/2" x 7 1/2" interior plate #EPA 406ML-TPC.
- CSA 406ML-DC Double cylinder. Non-egress. 1 3/4" minimum door thickness.
- CSA 406MLPF Patio function.
- TSA 406MLFD Full dummy. No key cover or turn piece.

2 1/2" or 2 3/4" backset standard.
Additional functions and custom backsets available. Call for options and pricing.
Door handing and thickness is required for all Lever/Knob Mortise Lock Entry Sets.
Always specify lever/knob design.

Trim sets for mortise lock, with spindle, no lock or cylinder(s) included.

- TSA 406ML Single cylinder. Lever/knob x lever/knob.
2 1/2" x 7 1/2" exterior plate #EPA 406ML-KC.
2 1/2" x 7 1/2" interior plate #EPA 406ML-TPC.
- TSA 406ML-DC Double cylinder. Non-egress. 1 3/4" minimum door thickness.
- TSA 406MLPF Patio function.
- TSA 406MLFD Full dummy. No key cover or turn piece.

Specify manufacturer and function of lock to be used.
Door handing and thickness is required for all Lever/Knob Mortise Lock Entry Sets.
Always specify lever/knob design.

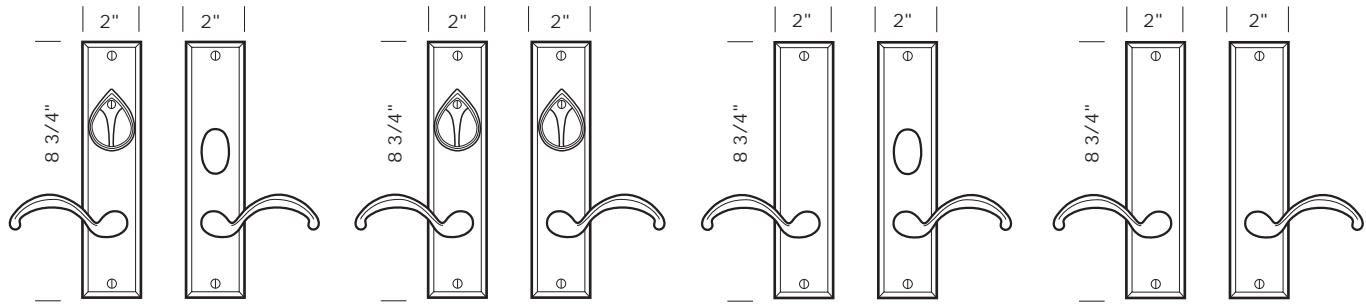
PROPRIETARY AND CONFIDENTIAL: The information contained in this drawing is the sole property of Sun Valley Bronze. Any reproduction in part or as a whole without the written permission of Sun Valley Bronze is prohibited.

Revised 05/18/11



407 LEVER/KNOB MORTISE LOCK ENTRY SETS

Illustrations are for demonstration purposes only. Any lever or knob may be substituted for lever or knob shown. Additional functions available.



CS-407ML

-Complete set with mortise lock, cylinder and spindle.
-Single cylinder.
-Shown with L-120 lever.
OR
TS-407ML
-Trim set only. No lock.

CS-407ML-DC

-Complete set with mortise lock, cylinders and spindle.
-Double cylinder.
-Shown with L-120 lever.
OR
TS-407ML-DC
-Trim set only. No lock.

CS-407ML-PF

-Complete set with mortise lock and spindle.
-Patio function.
-Shown with L-120 lever.
OR
TS-407ML-PF
-Trim set only. No lock.

TS-407ML-FD

-Trim set only.
-Full dummy.
-Shown with L-120 lever.

Complete sets with cylinder(s), spindle and emergency egress mortise lock (except where noted non-egress).

CS-407ML Single cylinder. Lever/knob x lever/knob.
2" x 8 3/4" exterior plate #EP-407ML-KC.
2" x 8 3/4" interior plate #EP-407ML-TPC.

CS-407ML-DC Double cylinder. Non-egress. 1 3/4" minimum door thickness.

CS-407ML-PF Patio function.

TS-407ML-FD Full dummy. No key cover or turn piece.

2 1/2" or 2 3/4" backset standard.

Additional functions and custom backsets available. Call for options and pricing.
Door handing and thickness is required for all Lever/Knob Mortise Lock Entry Sets.
Always specify lever/knob design.

Trim sets for mortise lock, with spindle, no lock or cylinder(s) included.

TS-407ML Single cylinder. Lever/knob x lever/knob.
2" x 8 3/4" exterior plate #EP-407ML-KC.
2" x 8 3/4" interior plate #EP-407ML-TPC.

TS-407ML-DC Double cylinder. Non-egress. 1 3/4" minimum door thickness.

TS-407ML-PF Patio function.

TS-407ML-FD Full dummy. No key cover or turn piece.

Specify manufacturer and function of lock to be used.

Door handing and thickness is required for all Lever/Knob Mortise Lock Entry Sets.
Always specify lever/knob design.

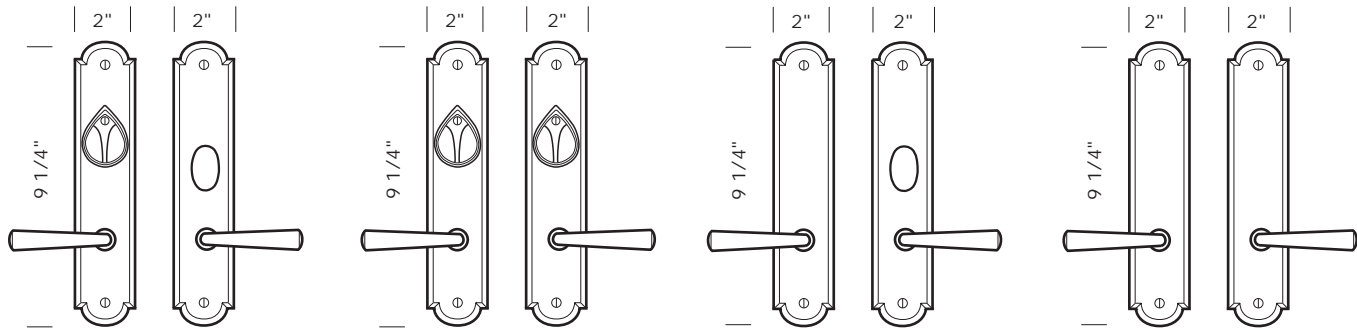
PROPRIETARY AND CONFIDENTIAL: The information contained in this drawing is the sole property of Sun Valley Bronze. Any reproduction in part or as a whole without the written permission of Sun Valley Bronze is prohibited.

Revised 05/18/11



A 407 LEVER/KNOB MORTISE LOCK ENTRY SETS

Illustrations are for demonstration purposes only. Any lever or knob may be substituted for lever or knob shown. Additional functions available.



CSA 407ML
-Complete set with mortise lock, cylinder and spindle.
-Single cylinder.
-Shown with L-113 lever.
OR
TSA 407ML
-Trim set only. No lock.

CSA 407MLDC
-Complete set with mortise lock, cylinders and spindle.
-Double cylinder.
-Shown with L-113 lever.
OR
TSA 407MLDC
-Trim set only. No lock.

CSA 407MLPF
-Complete set with mortise lock, and spindle.
-Patio function.
-Shown with L-113 lever.
OR
TSA 407MLPF
-Trim set only. No lock.

TSA 407MLFD
-Trim set only.
-Full dummy.
-Shown with L-113 lever.

Complete sets with cylinder(s), spindle and emergency egress mortise lock (except where noted non-egress).

- CSA 407ML Single cylinder. Lever/knob x lever/knob.
2" x 9 1/4" exterior plate #EPA 407MLKC.
2" x 9 1/4" interior plate #EPA 407ML-TPC.
- CSA 407MLDC Double cylinder. Non-egress. 1 3/4" minimum door thickness.
- CSA 407MLPF Patio function.
- TSA 407MLFD Full dummy. No key cover or turn piece.

2 1/2" or 2 3/4" backset standard.

Additional functions and custom backsets available. Call for options and pricing.
Door handing and thickness is required for all Lever/Knob Mortise Lock Entry Sets.
Always specify lever/knob design.

Trim sets for mortise lock, with spindle, no lock or cylinder(s) included.

- TSA 407ML Single cylinder. Lever/knob x lever/knob.
2" x 9 1/4" exterior plate #EPA 407MLKC.
2" x 9 1/4" interior plate #EPA 407ML-TPC.
- TSA 407MLDC Double cylinder. Non-egress. 1 3/4" minimum door thickness.
- TSA 407MLPF Patio function.
- TSA 407MLFD Full dummy. No key cover or turn piece.

Specify manufacturer and function of lock to be used.

Door handing and thickness is required for all Lever/Knob Mortise Lock Entry Sets.
Always specify lever/knob design.

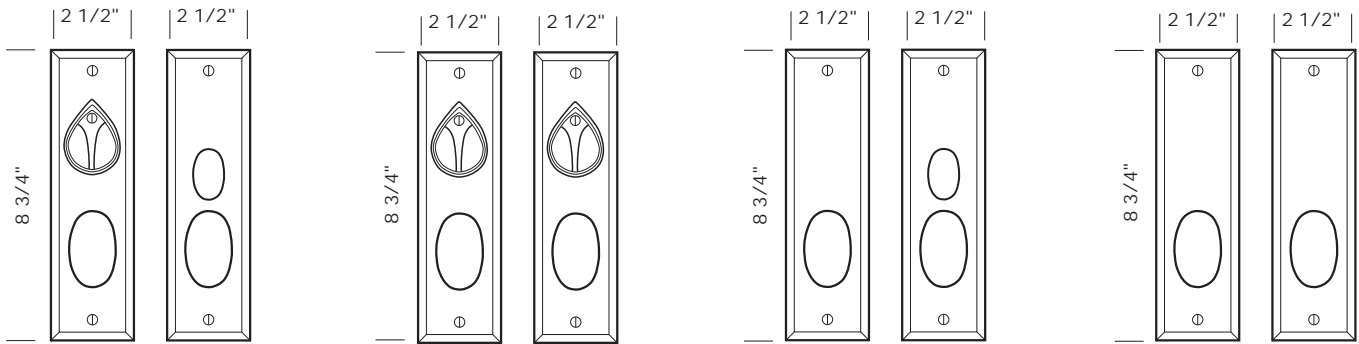
PROPRIETARY AND CONFIDENTIAL: The information contained in this drawing is the sole property of Sun Valley Bronze. Any reproduction in part or as a whole without the written permission of Sun Valley Bronze is prohibited.

Revised 05/18/11



408 LEVER/KNOB MORTISE LOCK ENTRY SETS

Illustrations are for demonstration purposes only. Any lever or knob may be substituted for lever or knob shown. Additional functions available.



CS-408ML
-Complete set with mortise lock, cylinder and spindle.
-Single cylinder.
-Shown with K-206 knob.
OR
TS-408ML
-Trim set only. No lock.

CS-408ML-DC
-Complete set with mortise lock, cylinders and spindle.
-Double cylinder.
-Shown with K-206 knob.
OR
TS-408ML-DC
-Trim set only. No lock

CS-408ML-PF
-Complete set with mortise lock and spindle.
-Patio function.
-Shown with K-206 knob.
OR
TS-408ML-PF
-Trim set only. No lock.

TS-408ML-FD
-Trim set only.
-Full dummy.
-Shown with K-206 knob.

Complete sets with cylinder(s), spindle and emergency egress mortise lock (except where noted non-egress).

- CS-408ML Single cylinder. Lever/knob x lever/knob.
2 1/2" x 8 3/4" exterior plate #EP-408ML-KC.
2 1/2" x 8 3/4" interior plate #EP-408ML-TPC.
- CS-408ML-DC Double cylinder. Non-egress. 1 3/4" minimum door thickness.
- CS-408ML-PF Patio function.
- TS-408ML-FD Full dummy. No key cover or turn piece.

2 1/2" or 2 3/4" backset standard.

Additional functions and custom backsets available. Call for options and pricing.
Door handing and thickness is required for all Lever/Knob Mortise Lock Entry Sets.
Always specify lever/knob design.

Trim sets for mortise lock, with spindle, no lock or cylinder(s) included.

- TS-408ML Single cylinder. Lever/knob x lever/knob.
2 1/2" x 8 3/4" exterior plate #EP-408ML-KC.
2 1/2" x 8 3/4" interior plate #EP-408ML-TPC.
- TS-408ML-DC Double cylinder. Non-egress. 1 3/4" minimum door thickness.
- TS-408ML-PF Patio function.
- TS-408ML-FD Full dummy. No key cover or turn piece.

Specify manufacturer and function of lock to be used.
Door handing and thickness is required for all Lever/Knob Mortise Lock Entry Sets.
Always specify lever/knob design.

PROPRIETARY AND CONFIDENTIAL: The information contained in this drawing is the sole property of Sun Valley Bronze. Any reproduction in part or as a whole without the written permission of Sun Valley Bronze is prohibited.

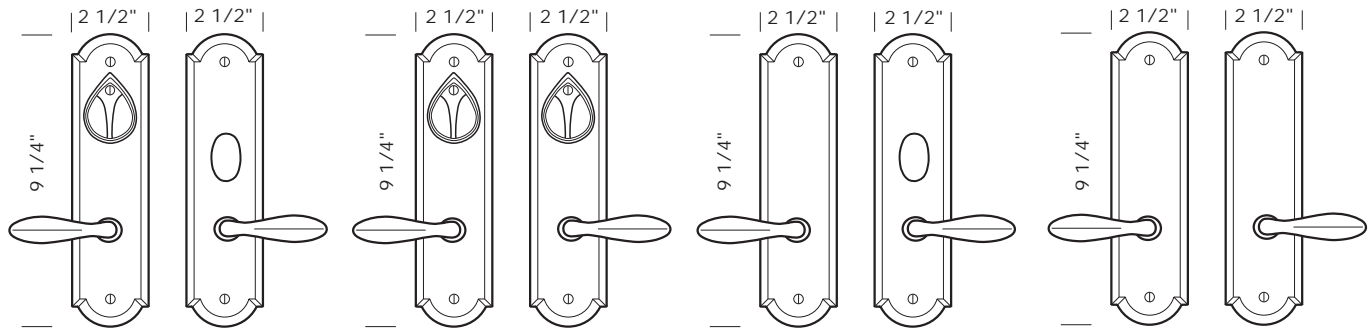
Revised 05/18/11

SUN VALLEY BRONZE



A 408 LEVER/KNOB MORTISE LOCK ENTRY SETS

Illustrations are for demonstration purposes only. Any lever or knob may be substituted for lever or knob shown. Additional functions available.



CSA 408ML
-Complete set with mortise lock, cylinder and spindle.
-Single cylinder.
-Shown with L-116 lever.
OR
TSA 408ML
-Trim set only. No lock.

CSA 408MLDC
-Complete set with mortise lock, cylinders and spindle.
-Double cylinder.
-Shown with L-116 lever.
OR
TSA 408MLDC
-Trim set only. No lock

CSA 408MLPF
-Complete set with mortise lock and spindle.
-Patio function.
-Shown with L-116 lever.
OR
TSA 408MLPF
-Trim set only. No lock.

TS-A 408MLFD
-Trim set only.
-Full dummy.
-Shown with L-116 lever.

Complete sets with cylinder(s), spindle and emergency egress mortise lock (except where noted non-egress).

- CSA 408ML Single cylinder. Lever/knob x lever/knob.
2 1/2" x 9 1/4" exterior plate #EPA 408ML-KC.
2 1/2" x 9 1/4" interior plate #EPA 408ML-TPC.
- CSA 408MLDC Double cylinder. Non-egress. 1 3/4" minimum door thickness.
- CSA 408MLPF Patio function.
- TSA 408MLFD Full dummy. No key cover or turn piece.

2 1/2" or 2 3/4" backset standard.

Additional functions and custom backsets available. Call for options and pricing.
Door handing and thickness is required for all Lever/Knob Mortise Lock Entry Sets.
Always specify lever/knob design.

Trim sets for mortise lock, with spindle, no lock or cylinder(s) included.

- TSA 408ML Single cylinder. Lever/knob x lever/knob.
2 1/2" x 9 1/4" exterior plate #EPA 408ML-KC.
2 1/2" x 9 1/4" interior plate #EPA 408ML-TPC.
- TSA 408MLDC Double cylinder. Non-egress. 1 3/4" minimum door thickness.
- TSA 408MLPF Patio function.
- TSA 408MLFD Full dummy. No key cover or turn piece.

Specify manufacturer and function of lock to be used.

Door handing and thickness is required for all Lever/Knob Mortise Lock Entry Sets.
Always specify lever/knob design.

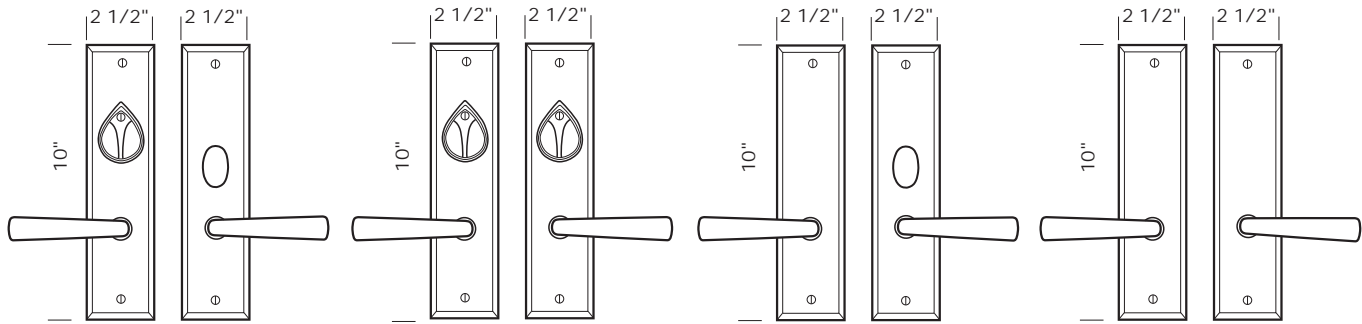
PROPRIETARY AND CONFIDENTIAL: The information contained in this drawing is the sole property of Sun Valley Bronze. Any reproduction in part or as a whole without the written permission of Sun Valley Bronze is prohibited.

Revised 05/18/11



409 LEVER/KNOB MORTISE LOCK ENTRY SETS

Illustrations are for demonstration purposes only. Any lever or knob may be substituted for lever or knob shown. Additional functions available.



CS-409ML
 -Complete set with mortise lock, cylinder and spindle.
 Single cylinder.
 -Shown with L-106 lever.
 OR
TS-409ML
 -Trim set only. No lock.

CS-409ML-DC
 -Complete set with mortise lock, cylinders and spindle.
 Double cylinder.
 -Shown with L-106 lever.
 OR
TS-409ML-DC
 -Trim set only. No lock

CS-409MLPF
 -Complete set with mortise lock and spindle.
 Patio function.
 -Shown with L-106 lever.
 OR
TS-409MLPF
 -Trim set only. No lock.

TS-409MLFD
 -Trim set only.
 Full dummy.
 -Shown with L-106 lever.

Complete sets with cylinder(s), spindle and emergency egress mortise lock (except where noted non-egress).

- CS-409ML** Single cylinder. Lever/knob x lever/knob.
 2 1/2" x 10" exterior plate #EP-409ML-KC.
 2 1/2" x 10" interior plate #EP-409ML-TPC.
- CS-409ML-DC** Double cylinder. Non-egress. 1 3/4" minimum door thickness.
- CS-409ML-PF** Patio function.
- TS-409ML-FD** Full dummy. No key cover or turn piece.

2 1/2" or 2 3/4" backset standard.

Additional functions and custom backsets available. Call for options and pricing.
 Door handing and thickness is required for all Lever/Knob Mortise Lock Entry Sets.
 Always specify lever/knob design.

Trim sets for mortise lock, with spindle, no lock or cylinder(s) included.

- TS-409ML** Single cylinder. Lever/knob x lever/knob.
 2 1/2" x 10" exterior plate #EP-409ML-KC.
 2 1/2" x 10" interior plate #EP-409ML-TPC.
- TS-409ML-DC** Double cylinder. Non-egress. 1 3/4" minimum door thickness.
- TS-409ML-PF** Patio function.
- TS-409ML-FD** Full dummy. No key cover or turn piece.

Specify manufacturer and function of lock to be used.
 Door handing and thickness is required for all Lever/Knob Mortise Lock Entry Sets.
 Always specify lever/knob design.

PROPRIETARY AND CONFIDENTIAL: The information contained in this drawing is the sole property of Sun Valley Bronze. Any reproduction in part or as a whole without the written permission of Sun Valley Bronze is prohibited.

Revised 05/18/11



