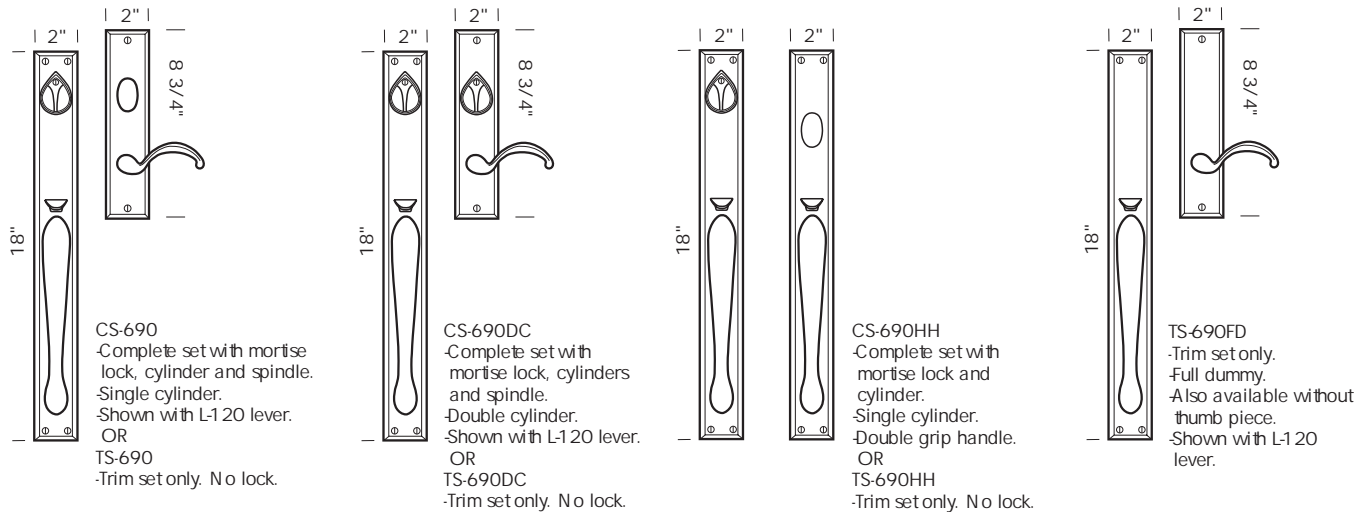




Illustrations are for demonstration purposes only. Any lever or knob may be substituted for lever or knob shown. Additional functions available.



### Complete sets with cylinder(s), spindle and emergency egress mortise lock (except where noted non-egress).

- CS-690 Single cylinder. Handle x lever/knob.  
2" x 18" exterior plate #EP-690MLKC.  
2" x 8 3/4" interior plate #P-407ML-TPC.
- CS-690DC Double cylinder. Handle x lever/knob. Non-egress.
- TS-690FD Full dummy. Handle x lever/knob. No key cover or turn piece.\*
- CS-690HH Single cylinder. Handle x handle.  
2" x 18" exterior plate #EP-690MLKC.  
2" x 18" interior plate #EP-690ML-TPC.
- CS-690HH-DC Double cylinder. Handle x handle. Non-egress. (Not shown).
- TS-690HH-FD Full dummy. Handle x handle. No key cover or turn piece. (Not shown).\*

2 1/2" or 2 3/4" backset standard.

Additional functions and custom backsets available. Call for options and pricing.

Door handing and thickness is required for all Handle Entry Sets.

Specify lever/knob design where applicable.

\*Dummy trim is available without thumb piece. Please specify.

### Trim sets for mortise lock, with spindle, no lock or cylinder(s) included.

- TS-690 Single cylinder. Handle x lever/knob.  
2" x 18" exterior plate #EP-690MLKC.  
2" x 8 3/4" interior plate #P-407ML-TPC.
- TS-690DC Double cylinder. Handle x lever/knob. Non-egress.
- TS-690FD Full dummy. Handle x lever/knob. No key cover or turn piece.\*
- TS-690HH Single cylinder. Handle x handle.  
2" x 18" exterior plate #EP-690MLKC.  
2" x 18" interior plate #EP-690ML-TPC.
- TS-690HH-DC Double cylinder. Handle x handle. Non-egress. (Not shown).
- TS-690HH-FD Full dummy. Handle x handle. No key cover or turn piece. (Not shown).\*

Specify manufacturer and function of lock to be used.

Door handing and thickness is required for all Handle Entry Sets.

Specify lever/knob design where applicable.

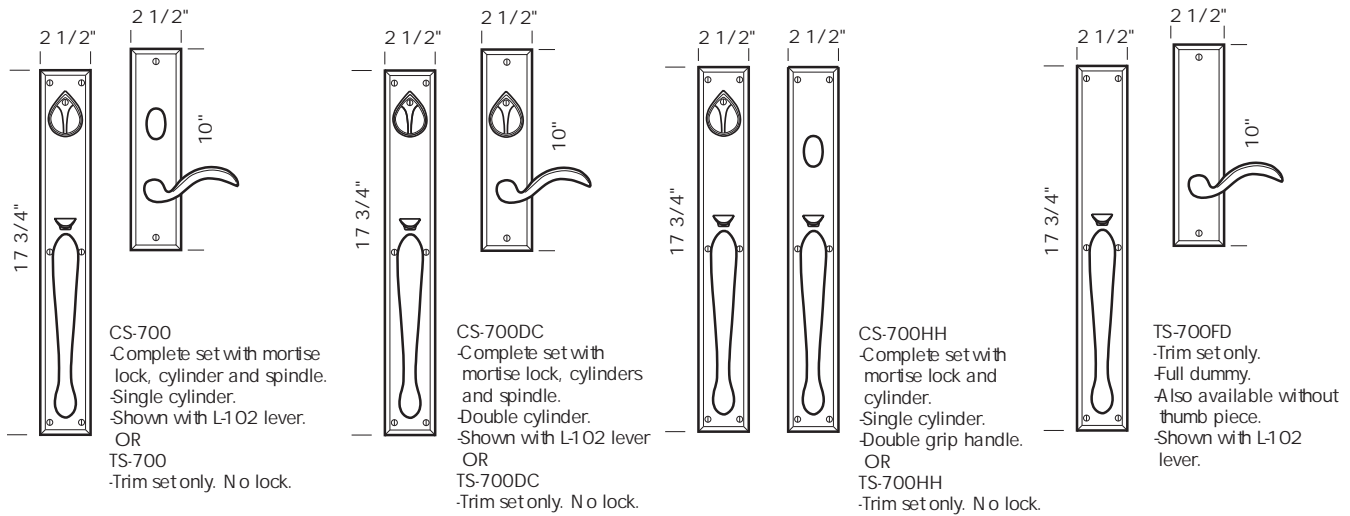
\*Dummy trim is available without thumb piece. Please specify.

**PROPRIETARY AND CONFIDENTIAL:** The information contained in this drawing is the sole property of Sun Valley Bronze. Any reproduction in part or as a whole without the written permission of Sun Valley Bronze is prohibited.

Revised 01/14/11



Illustrations are for demonstration purposes only. Any lever or knob may be substituted for lever or knob shown. Additional functions available.



## Complete sets with cylinder(s), spindle and emergency egress mortise lock (except where noted non-egress).

CS-700	Single cylinder. Handle x lever/knob. 2 1/2" x 17 3/4" exterior plate #EP-700MLKC. 2 1/2" x 10" interior plate #P-409ML-TPC.
CS-700DC	Double cylinder. Handle x lever/knob. Non-egress.
TS-700FD	Full dummy. Handle x lever/knob. No key cover or turn piece.*
CS-700HH	Single cylinder. Handle x handle. 2 1/2" x 17 3/4" exterior plate #EP-700MLKC. 2 1/2" x 17 3/4" interior plate #EP-700ML-TPC.
CS-700HH-DC	Double cylinder. Handle x handle. Non-egress. (Not shown).
TS-700HH-FD	Full dummy. Handle x handle. No key cover or turn piece. (Not shown).*

2 1/2" or 2 3/4" backset standard.

Additional functions and custom backsets available. Call for options and pricing.

Door handing and thickness is required for all Handle Entry Sets.

Specify lever/knob design where applicable.

\*Dummy trim is available without thumb piece. Please specify.

## Trim sets for mortise lock, with spindle, no lock or cylinder(s) included.

TS-700	Single cylinder. Handle x lever/knob. 2 1/2" x 17 3/4" exterior plate #EP-700MLKC. 2 1/2" x 10" interior plate #P-409ML-TPC.
TS-700DC	Double cylinder. Handle x lever/knob. Non-egress.
TS-700FD	Full dummy. Handle x lever/knob. No key cover or turn piece.*
TS-700HH	Single cylinder. Handle x handle. 2 1/2" x 17 3/4" exterior plate #EP-700MLKC. 2 1/2" x 17 3/4" interior plate #EP-700ML-TPC.
TS-700HH-DC	Double cylinder. Handle x handle. Non-egress. (Not shown).
TS-700HH-FD	Full dummy. Handle x handle. No key cover or turn piece. (Not shown).*

Specify manufacturer and function of lock to be used.

Door handing and thickness is required for all Handle Entry Sets.

Specify lever/knob design where applicable.

\*Dummy trim is available without thumb piece. Please specify.

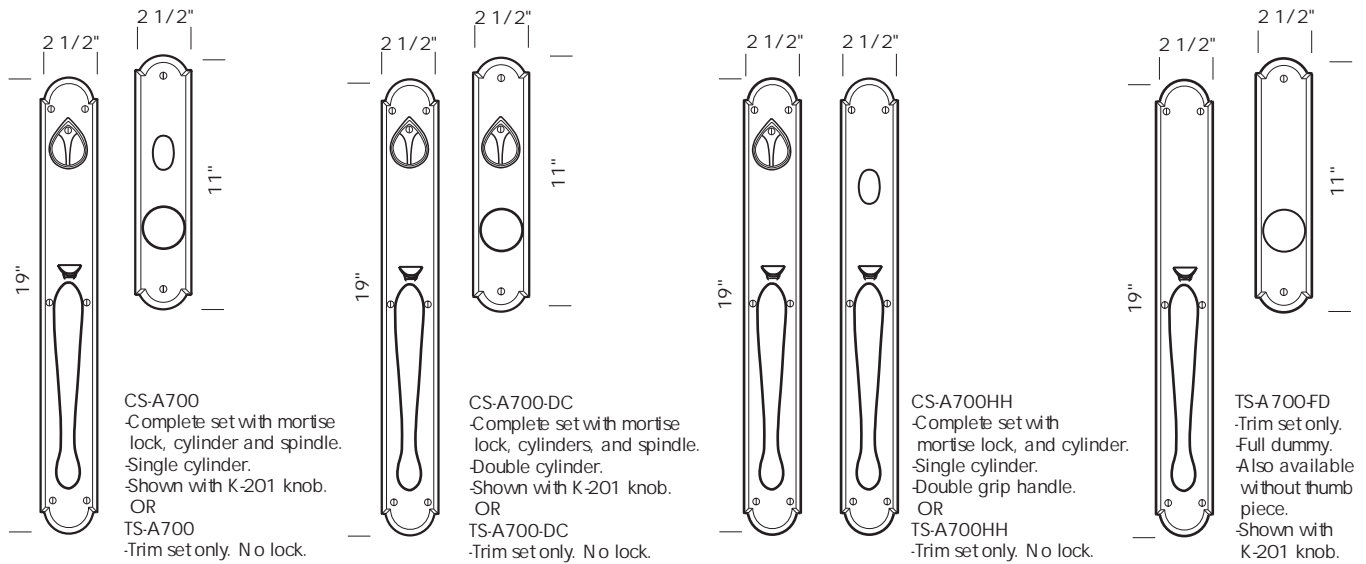
**PROPRIETARY AND CONFIDENTIAL:** The information contained in this drawing is the sole property of Sun Valley Bronze. Any reproduction in part or as a whole without the written permission of Sun Valley Bronze is prohibited.

Revised 01/14/11



# A700 HANDLE ENTRY SETS

Illustrations are for demonstration purposes only. Any lever or knob may be substituted for lever or knob shown. Additional functions available.



## Complete sets with cylinder(s), spindle and emergency egress mortise lock (except where noted non-egress).

CS-A700	Single cylinder. Handle x lever/knob. 2 1/2" x 19" exterior plate #EPA 700-MLKC. 2 1/2" x 11" interior plate #PA 409-ML-TPC.
CS-A700-DC	Double cylinder. Handle x lever/knob. Non-egress.
TSA 700-FD	Full dummy. Handle x lever/knob. No key cover or turn piece.*
CS-A700HH	Single cylinder. Handle x handle. 2 1/2" x 19" exterior plate #EPA 700-MLKC. 2 1/2" x 19" interior plate #EPA 700-ML-TPC.
CS-A700HH-DC	Double cylinder. Handle x handle. Non-egress. (Not shown).
TSA 700HH-FD	Full dummy. Handle x handle. No key cover or turn piece. (Not shown).*

2 1/2" or 2 3/4" backset standard.

Additional functions and custom backsets available. Call for options and pricing.

Door handing and thickness is required for all Handle Entry Sets.

Specify lever/knob design where applicable.

\* Dummy trim is available without thumb piece. Please specify.

## Trim sets for mortise lock, with spindle, no lock or cylinder(s) included.

TS-A700	Single cylinder. Handle x lever/knob. 2 1/2" x 19" exterior plate #EPA 700-MLKC. 2 1/2" x 11" interior plate #PA 409-ML-TPC.
TS-A700-DC	Double cylinder. Handle x lever/knob. Non-egress.
TSA 700-FD	Full dummy. Handle x lever/knob. No key cover or turn piece.*
TS-A700HH	Single cylinder. Handle x handle. 2 1/2" x 19" exterior plate #EPA 700-MLKC. 2 1/2" x 19" interior plate #EPA 700-ML-TPC.
TS-A700HH-DC	Double cylinder. Handle x handle. Non-egress. (Not shown).
TSA 700HH-FD	Full dummy. Handle x handle. No key cover or turn piece. (Not shown).*

Specify manufacturer and function of lock to be used.

Door handing and thickness is required for all Handle Entry Sets.

Specify lever/knob design where applicable.

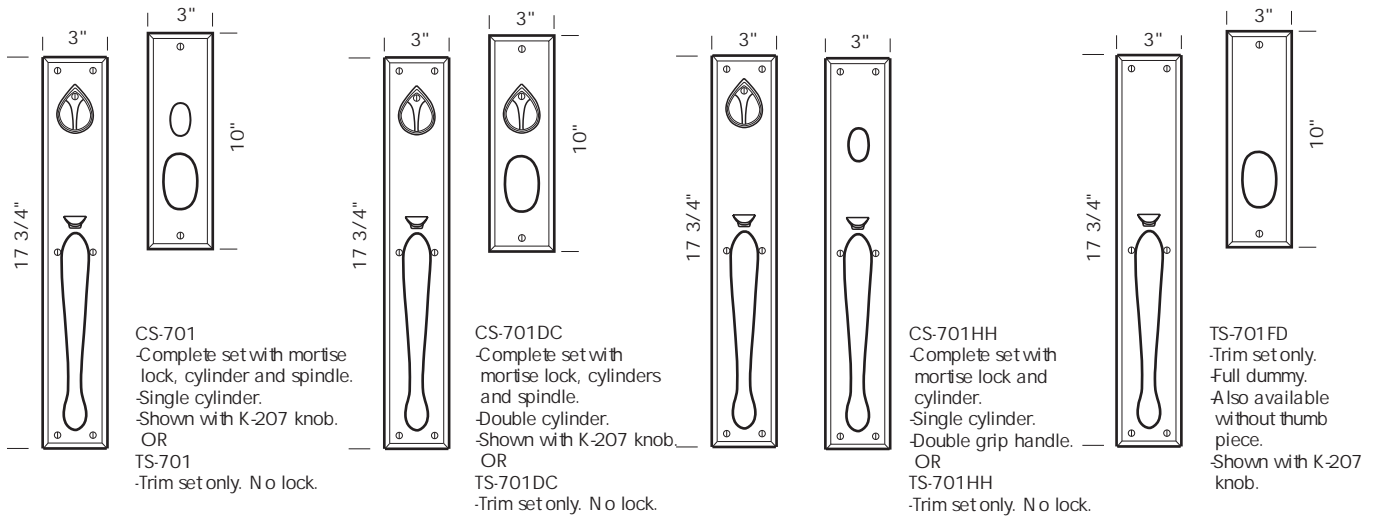
\* Dummy trim is available without thumb piece. Please specify.

**PROPRIETARY AND CONFIDENTIAL:** The information contained in this drawing is the sole property of Sun Valley Bronze. Any reproduction in part or as a whole without the written permission of Sun Valley Bronze is prohibited.

Revised 01/14/11



Illustrations are for demonstration purposes only. Any lever or knob may be substituted for lever or knob shown. Additional functions available.



## Complete sets with cylinder(s), spindle and emergency egress mortise lock (except where noted non-egress).

- CS-701                      Single cylinder. Handle x lever/knob.  
3" x 17 3/4" exterior plate #EP-701MLKC.  
3" x 10" interior plate #P-41OML-TPC.
- CS-701DC                Double cylinder. Handle x lever/knob. Non-egress.
- TS-701FD                Full dummy. Handle x lever/knob. No key cover or turn piece.\*
- CS-701HH                Single cylinder. Handle x handle.  
3" x 17 3/4" exterior plate #EP-701MLKC.  
3" x 17 3/4" interior plate #EP-701ML-TPC.
- CS-701HH-DC            Double cylinder. Handle x handle. Non-egress. (Not shown).
- TS-701HH-FD            Full dummy. Handle x handle. No key cover or turn piece. (Not shown).\*

2 1/2" or 2 3/4" backset standard.

Additional functions and custom backsets available. Call for options and pricing.

Door handing and thickness is required for all Handle Entry Sets.

Specify lever/knob design where applicable.

\* Dummy trim is available without thumb piece. Please specify.

## Trim sets for mortise lock, with spindle, no lock or cylinder(s) included.

- TS-701                      Single cylinder. Handle x lever/knob.  
3" x 17 3/4" exterior plate #EP-701MLKC.  
3" x 10" interior plate #P-41OML-TPC.
- TS-701DC                Double cylinder. Handle x lever/knob. Non-egress.
- TS-701FD                Full dummy. Handle x lever/knob. No key cover or turn piece.\*
- TS-701HH                Single cylinder. Handle x handle.  
3" x 17 3/4" exterior plate #EP-701MLKC.  
3" x 17 3/4" interior plate #EP-701ML-TPC.
- TS-701HH-DC            Double cylinder. Handle x handle. Non-egress. (Not shown).
- TS-701HH-FD            Full dummy. Handle x handle. No key cover or turn piece. (Not shown).\*

Specify manufacturer and function of lock to be used.

Door handing and thickness is required for all Handle Entry Sets.

Specify lever/knob design where applicable.

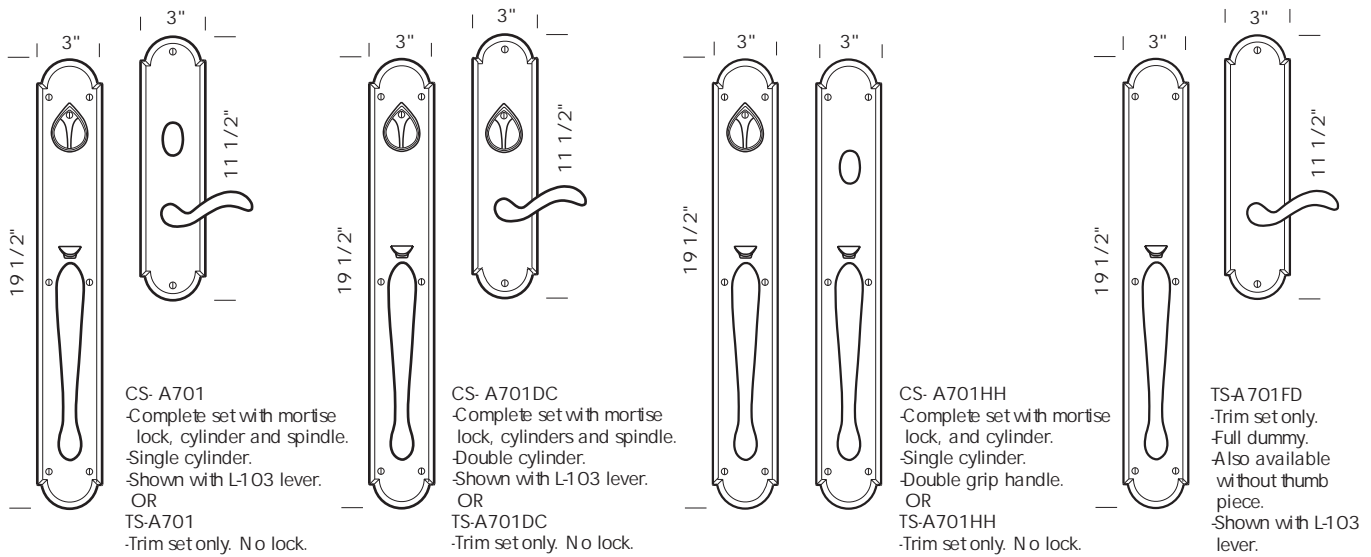
\* Dummy trim is available without thumb piece. Please specify.

**PROPRIETARY AND CONFIDENTIAL:** The information contained in this drawing is the sole property of Sun Valley Bronze. Any reproduction in part or as a whole without the written permission of Sun Valley Bronze is prohibited.

Revised 01/14/11



Illustrations are for demonstration purposes only. Any lever or knob may be substituted for lever or knob shown. Additional functions available.



## Complete sets with cylinder(s), spindle and emergency egress mortise lock (except where noted non-egress).

- CS-A701 Single cylinder. Handle x lever/knob.  
3" x 19 1/2" exterior plate #EPA701MLKC.  
3" x 11 1/2" interior plate #PA410ML-TPC.
- CS-A701DC Double cylinder. Handle x lever/knob. Non-egress.
- TSA-701FD Full dummy. Handle x lever/knob. No key cover or turn piece.\*
- CS-A701HH Single cylinder. Handle x handle.  
3" x 19 1/2" exterior plate #EPA701MLKC.  
3" x 19 1/2" interior plate #EPA701ML-TPC.
- CS-A701HH-DC Double cylinder. Handle x handle. Non-egress. (Not shown).
- TSA-701HH-FD Full dummy. Handle x handle. No key cover or turn piece. (Not shown).\*

2 1/2" or 2 3/4" backset standard.

Additional functions and custom backsets available. Call for options and pricing.

Door handing and thickness is required for all Handle Entry Sets.

Specify lever/knob design where applicable.

\* Dummy trim is available without thumb piece. Please specify.

## Trim sets for mortise lock, with spindle, no lock or cylinder(s) included.

- TS-A701 Single cylinder. Handle x lever/knob.  
3" x 19 1/2" exterior plate #EPA701MLKC.  
3" x 11 1/2" interior plate #PA410ML-TPC.
- TS-A701DC Double cylinder. Handle x lever/knob. Non-egress.
- TSA-701FD Full dummy. Handle x lever/knob. No key cover or turn piece.\*
- TS-A701HH Single cylinder. Handle x handle.  
3" x 19 1/2" exterior plate #EPA701MLKC.  
3" x 19 1/2" interior plate #EPA701ML-TPC.
- TS-A701HH-DC Double cylinder. Handle x handle. Non-egress. (Not shown).
- TSA-701HH-FD Full dummy. Handle x handle. No key cover or turn piece. (Not shown).\*

Specify manufacturer and function of lock to be used.

Door handing and thickness is required for all Handle Entry Sets.

Specify lever/knob design where applicable.

\* Dummy trim is available without thumb piece. Please specify.

**PROPRIETARY AND CONFIDENTIAL:** The information contained in this drawing is the sole property of Sun Valley Bronze. Any reproduction in part or as a whole without the written permission of Sun Valley Bronze is prohibited.

Revised 01/14/11























































































